

REVISION HISTORY

SCH REV	065 PCB REV	073 PCB REV	ECO NO.	DATE	COMMENT
1.6	1.6	1.6		12/4/96	INITIAL
1.7	1.7	1.7	5613	3/26/97	DELETED C63,C68,224,C225,D4B,R225,R226
1.8	1.8	1.7	6726	7/1/97	DELETED TH3,TH4. CHANGE F1,F2 TO 16A SLOW
1.9	1.9	1.7			
2.0	2.0	1.7	7284	7/1/97	CHANGED F1 AND F2 TO 16A FAST
2.0.1	2.0	1.7	8125	9/28/98	RB5 WAS 2.61K

NOTES :


UNLESS OTHERWISE SPECIFIED :

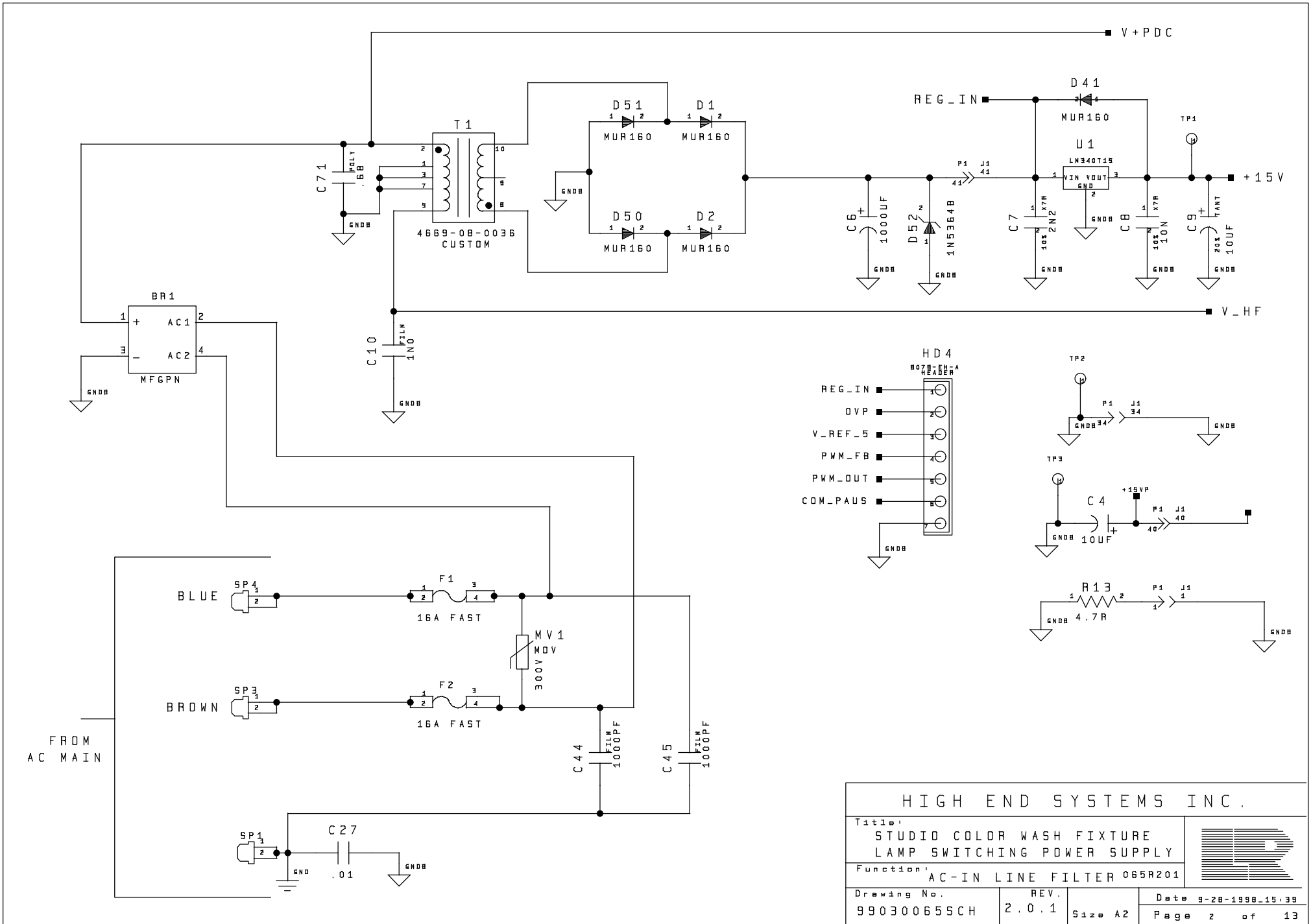
1. ALL RESISTOR VALUES ARE IN OHMS
2. ALL RESISTORS ARE 1/4 WATT 5% OR BETTER
3. CAPACITOR VALUES ARE IN PICO FARADS
4. ALL NON POLARIZED CAPACITORS ARE 50V OR BETTER
VALUES BELOW 470pF ARE NPO/COG TYPE 5%
VALUES 470pF TO 1000pF ARE X7R 10%
VALUES ABOVE 1000pF ARE Z5U +/- 20 %
5. ALL POLARIZED CAPACITORS ARE 20% OR BETTER
6. ALL DIODES ARE 1N4148

Copyright (c) 1994-1998 High End Systems, Inc. All rights reserved worldwide.

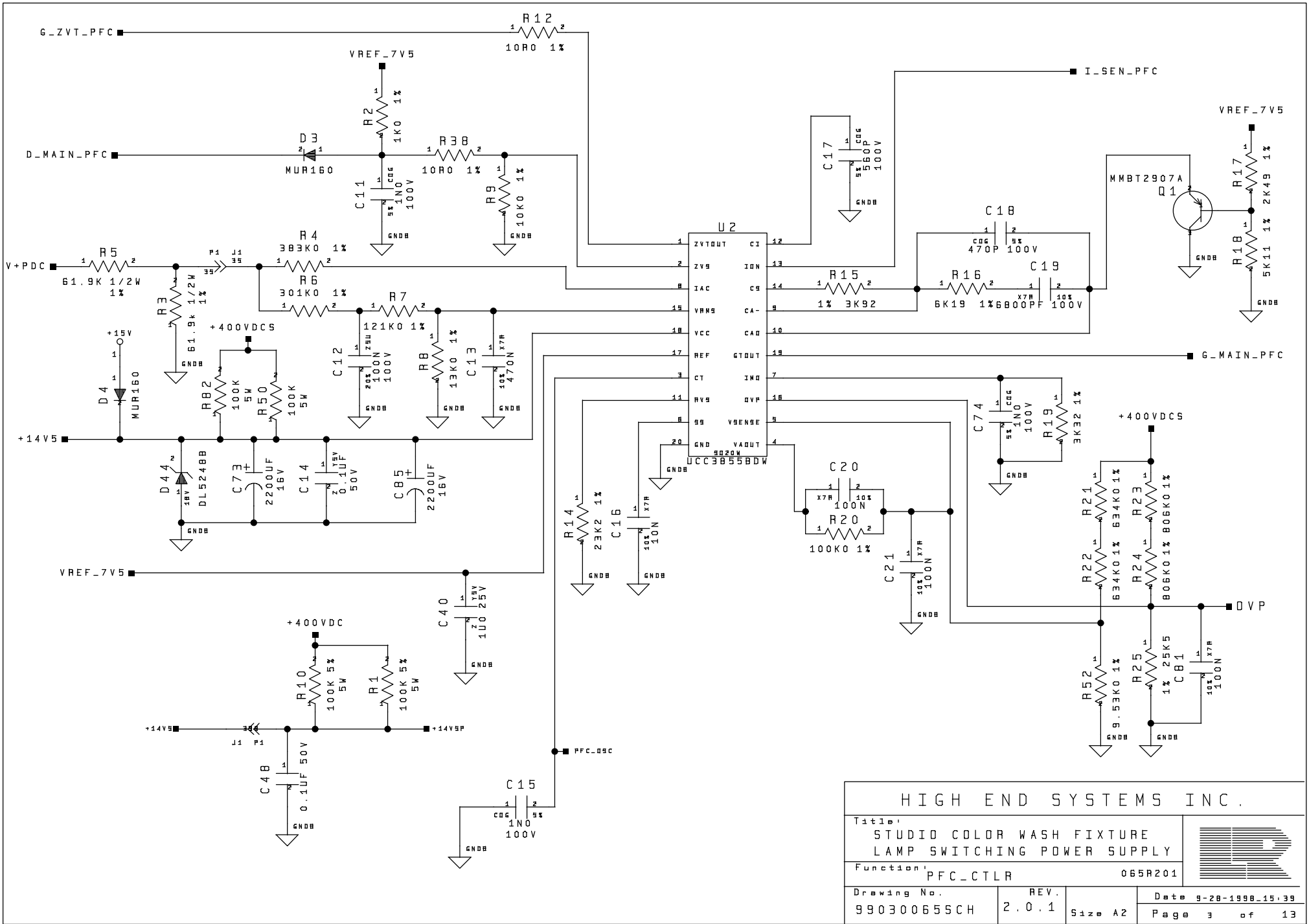
Studio Color, Lightwave Research, the Lightwave Research logo, High End Systems and the High End Systems logo are registered trademarks of High End Systems, Inc. Trademarks and trade names of others may be used in this document to refer to either such other entities or to their products. High End Systems Inc. disclaims any proprietary interest or connection to such marks or entities.


SCHEMATIC COVERS 99030065 AND 99030073 PCB'S

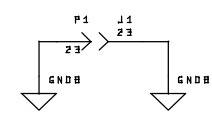
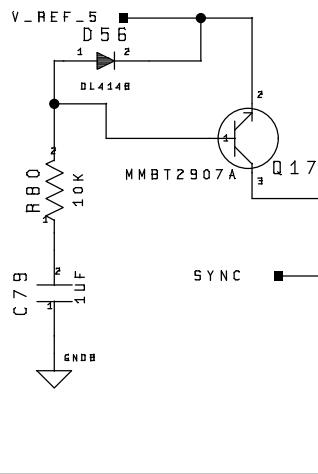
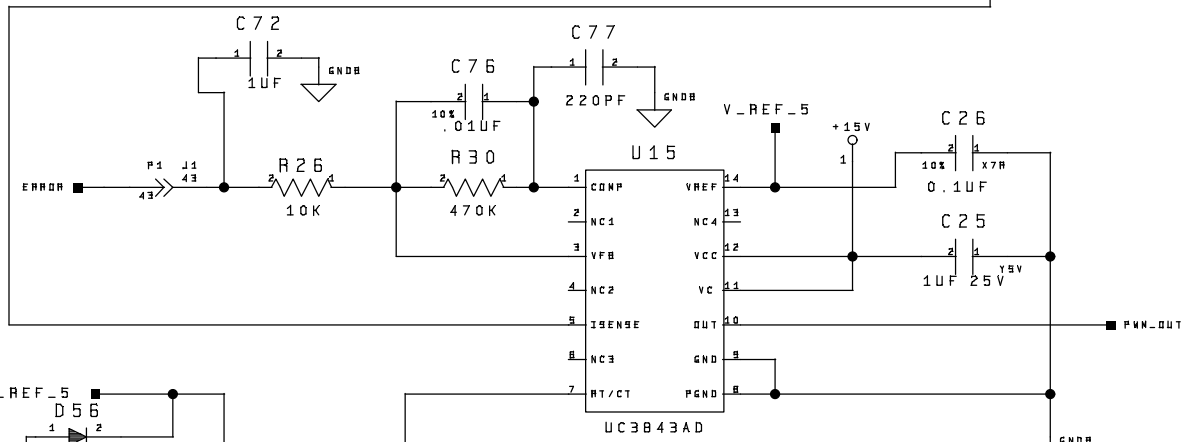
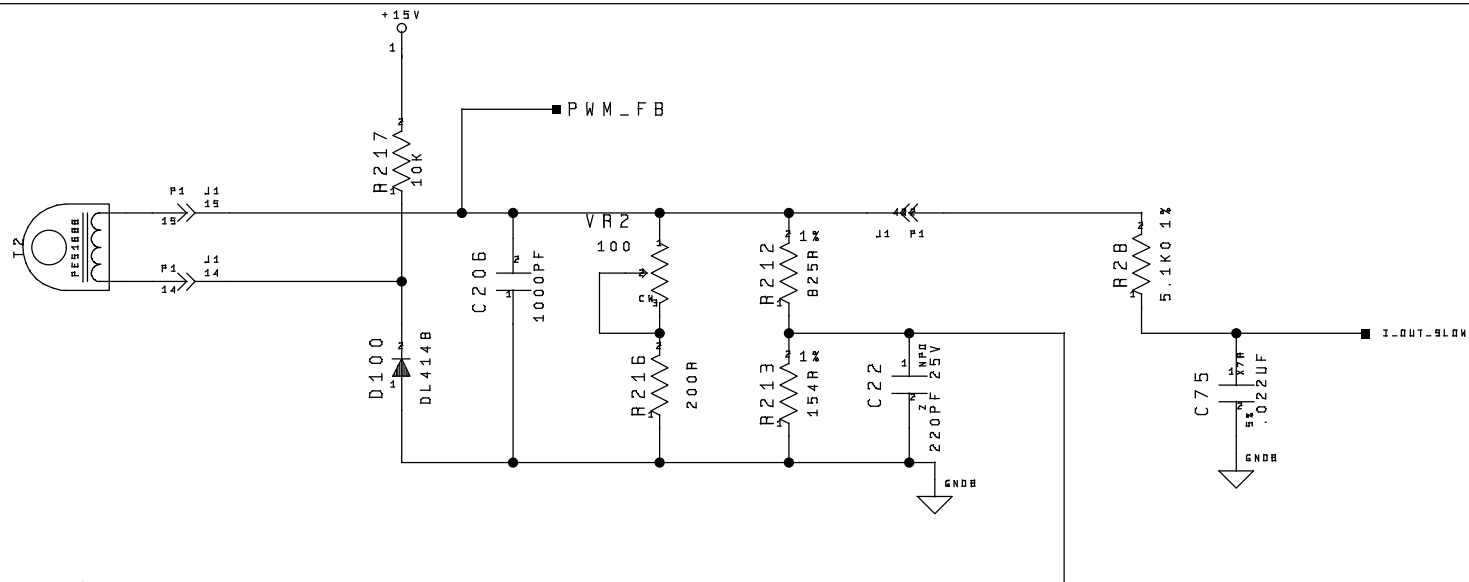
HIGH END SYSTEMS INC.			
Title:			
STUDIO COLOR WASH FIXTURE LAMP SWITCHING POWER SUPPLY			
Function:		065R201	
COVER SHEET			
Drawing No.	REV.	Designed:	
SCH-99030065	2.0.1	BRIAN JUREK	
Drawn:		Approved:	
CLEO			
Date	Size	Page	of
9-28-1998-16.41	A2	1	13




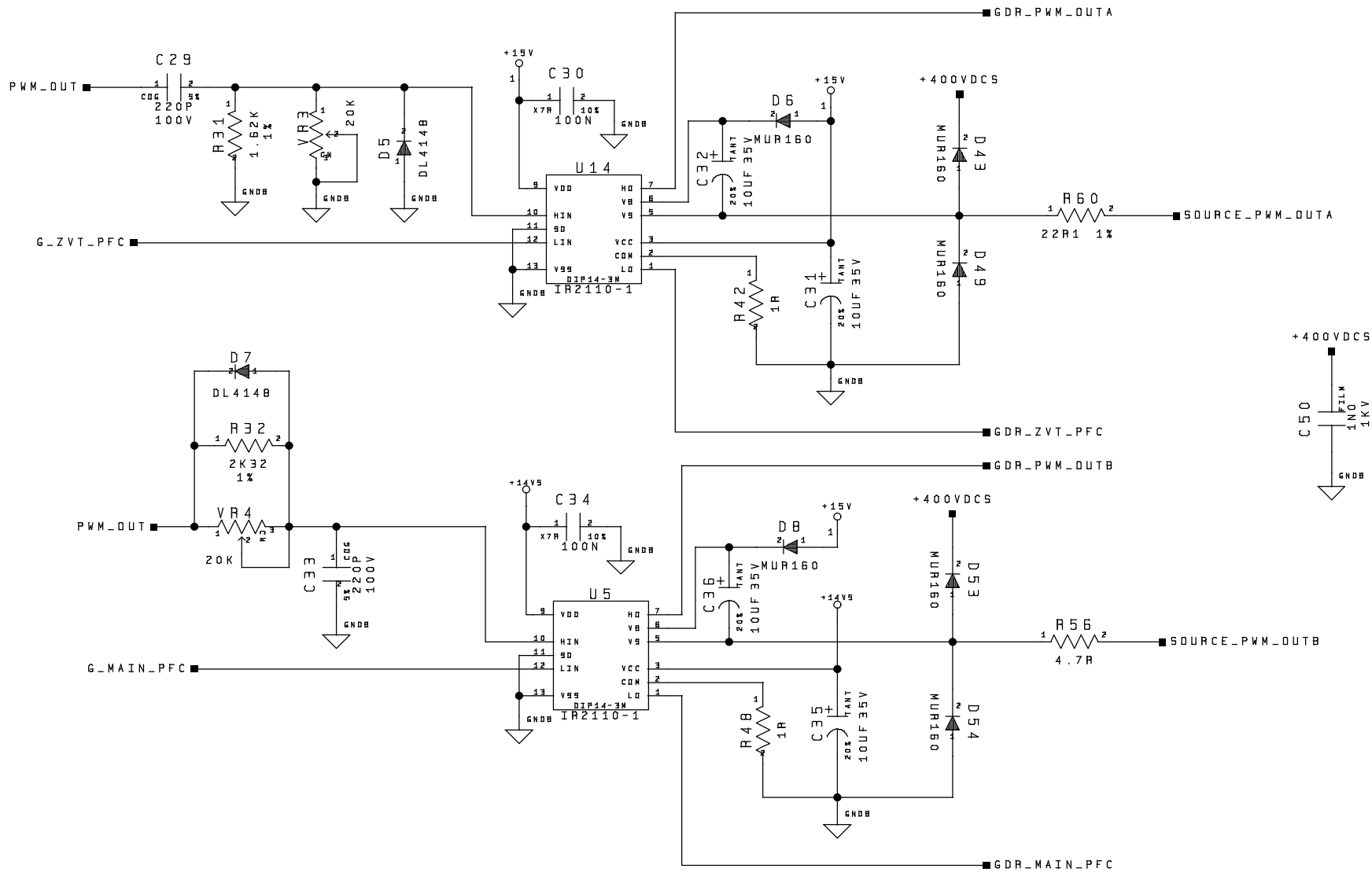
HIGH END SYSTEMS INC.			
Title: STUDIO COLOR WASH FIXTURE LAMP SWITCHING POWER SUPPLY			
Function: AC-IN LINE FILTER 065R201			
Drawing No. 990300655SCH	REV. 2.0.1	Size A2	Date 9-28-1998-15:39 Page 2 of 13



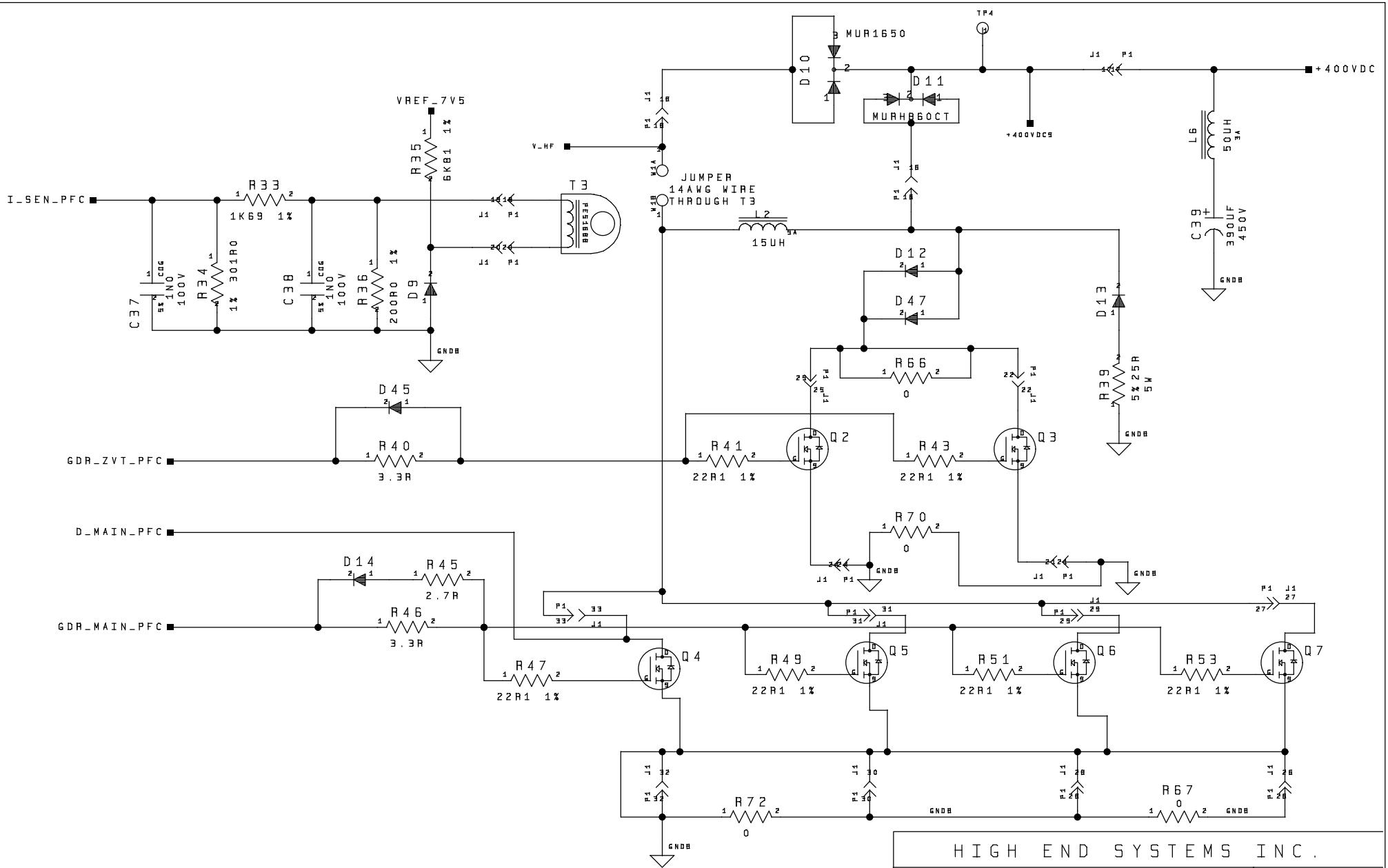
HIGH END SYSTEMS INC.			
Title:			
STUDIO COLOR WASH FIXTURE LAMP SWITCHING POWER SUPPLY			
Function:		PFC_CTLR 065R201	
Drawing No.	REV.	Date	
990300655CH	2.0.1	9-28-1998-15:39	
Size		Page	
A2		3 of 13	




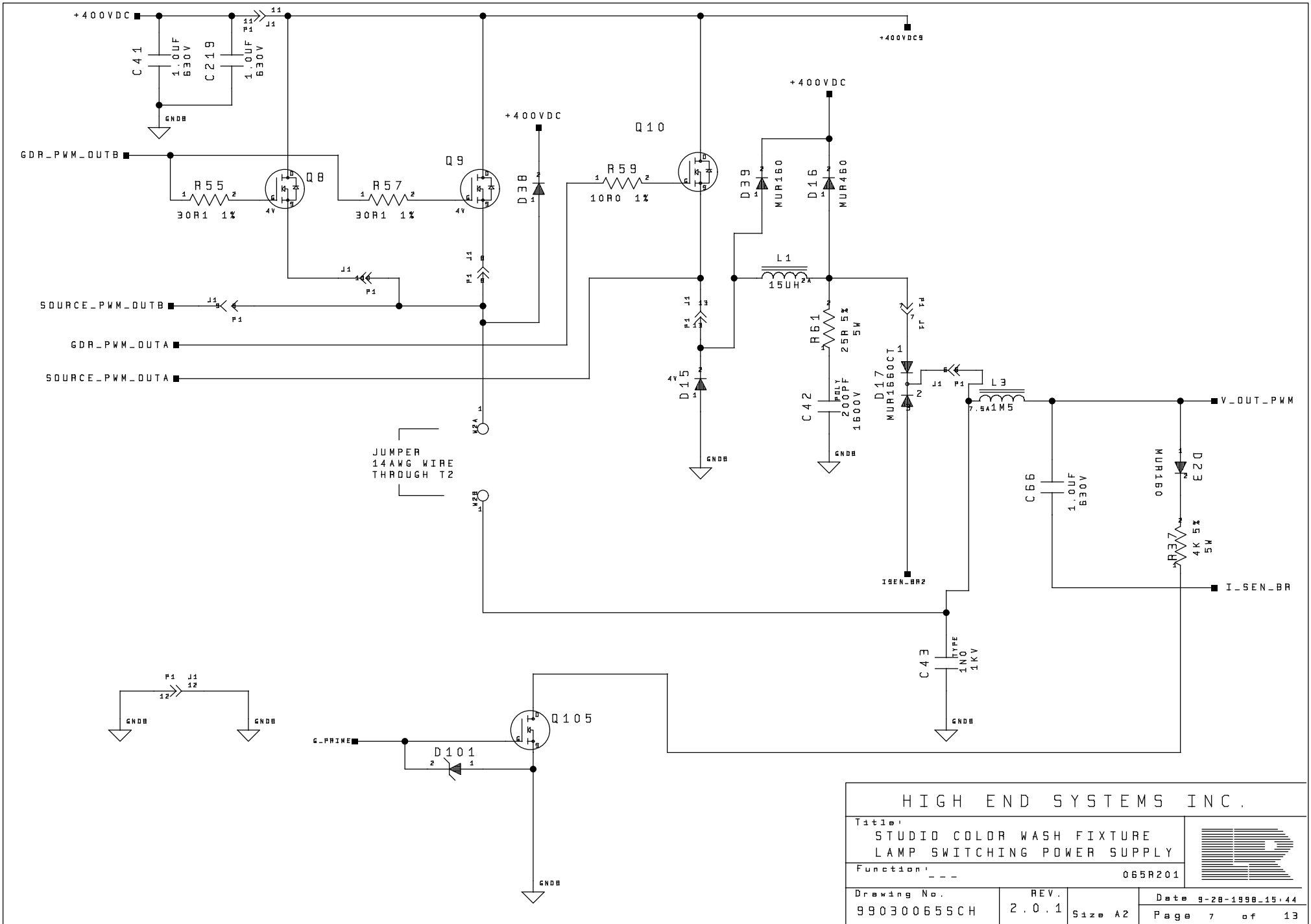
HIGH END SYSTEMS INC.			
Title:			
STUDIO COLOR WASH FIXTURE LAMP SWITCHING POWER SUPPLY			
Function:		P_TRAN_PWM	065R201
Drawing No.	REV.	Date	9-28-1998-15.41
99030065SCH	2.0.1	Size A2	Page 4 of 13



HIGH END SYSTEMS INC.			
Title: STUDIO COLOR WASH FIXTURE LAMP SWITCHING POWER SUPPLY			
Function: PFC/PWM MOS DRIVER 065R201			
Drawing No. 99030065SCH	REV. 2.0.1	Size A2	Date 9-28-1998-15.42 Page 5 of 13



HIGH END SYSTEMS INC.			
Title: STUDIO COLOR WASH FIXTURE LAMP SWITCHING POWER SUPPLY			
Function: ---			
Drawing No. 99030065SCH	REV. 2.0.1	Size A2	Date 9-28-1998-15.43 Page 6 of 13



HIGH END SYSTEMS INC.

Title:
STUDIO COLOR WASH FIXTURE
LAMP SWITCHING POWER SUPPLY



Function: --- 065R201

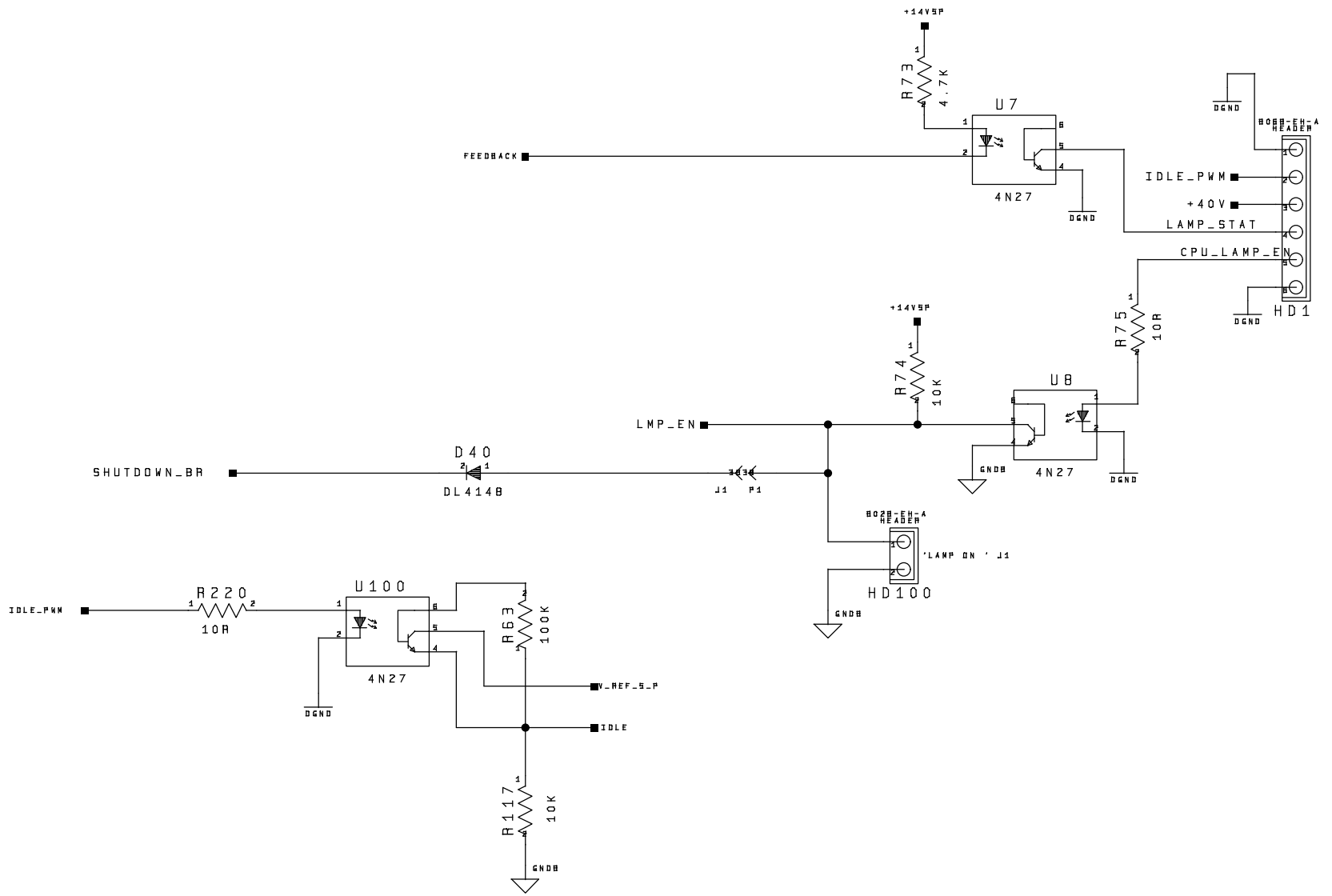
Drawing No.
99030065SCH

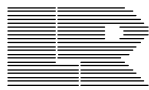
REV.
2.0.1

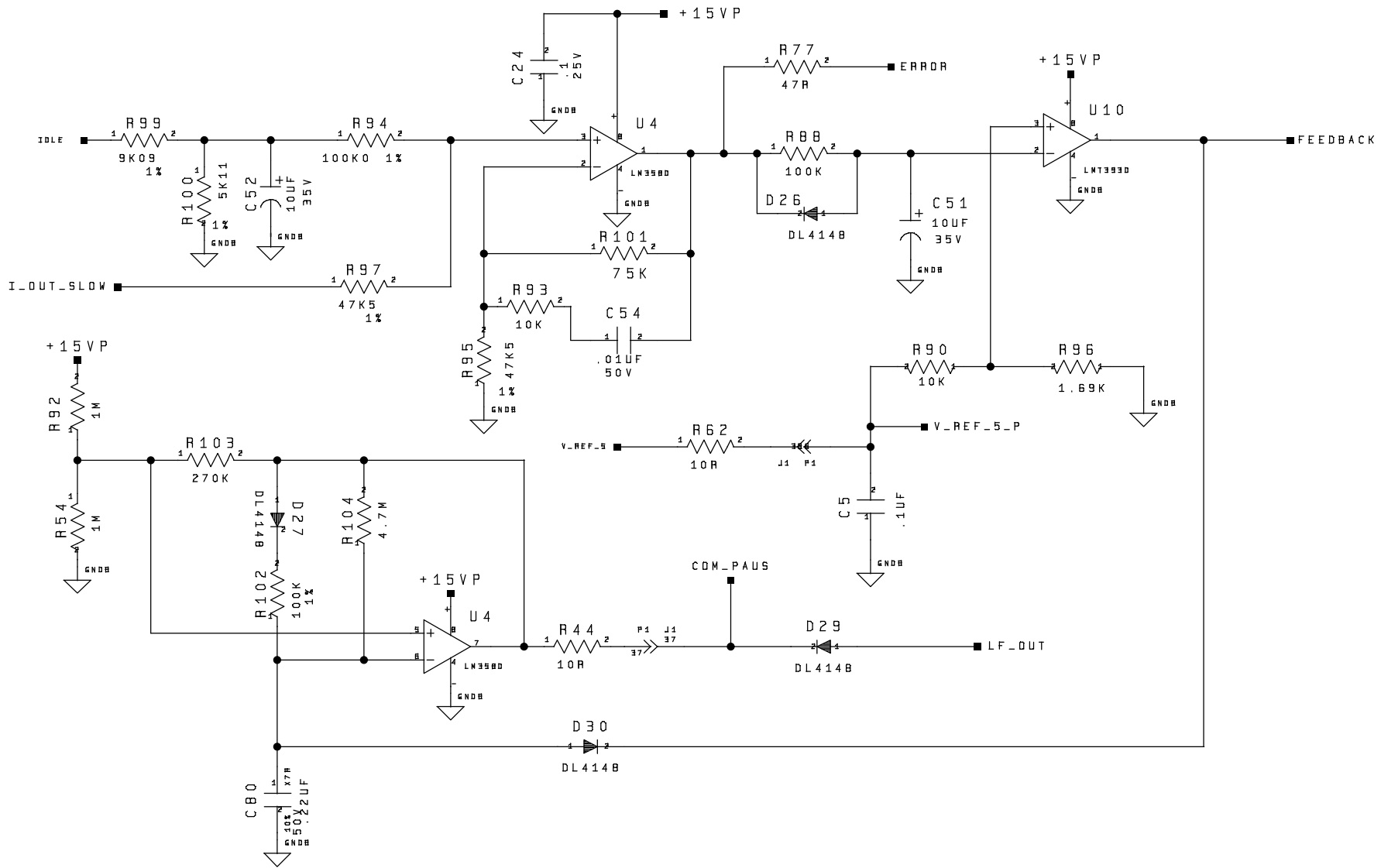
Size A2

Date 9-28-1998-15.44

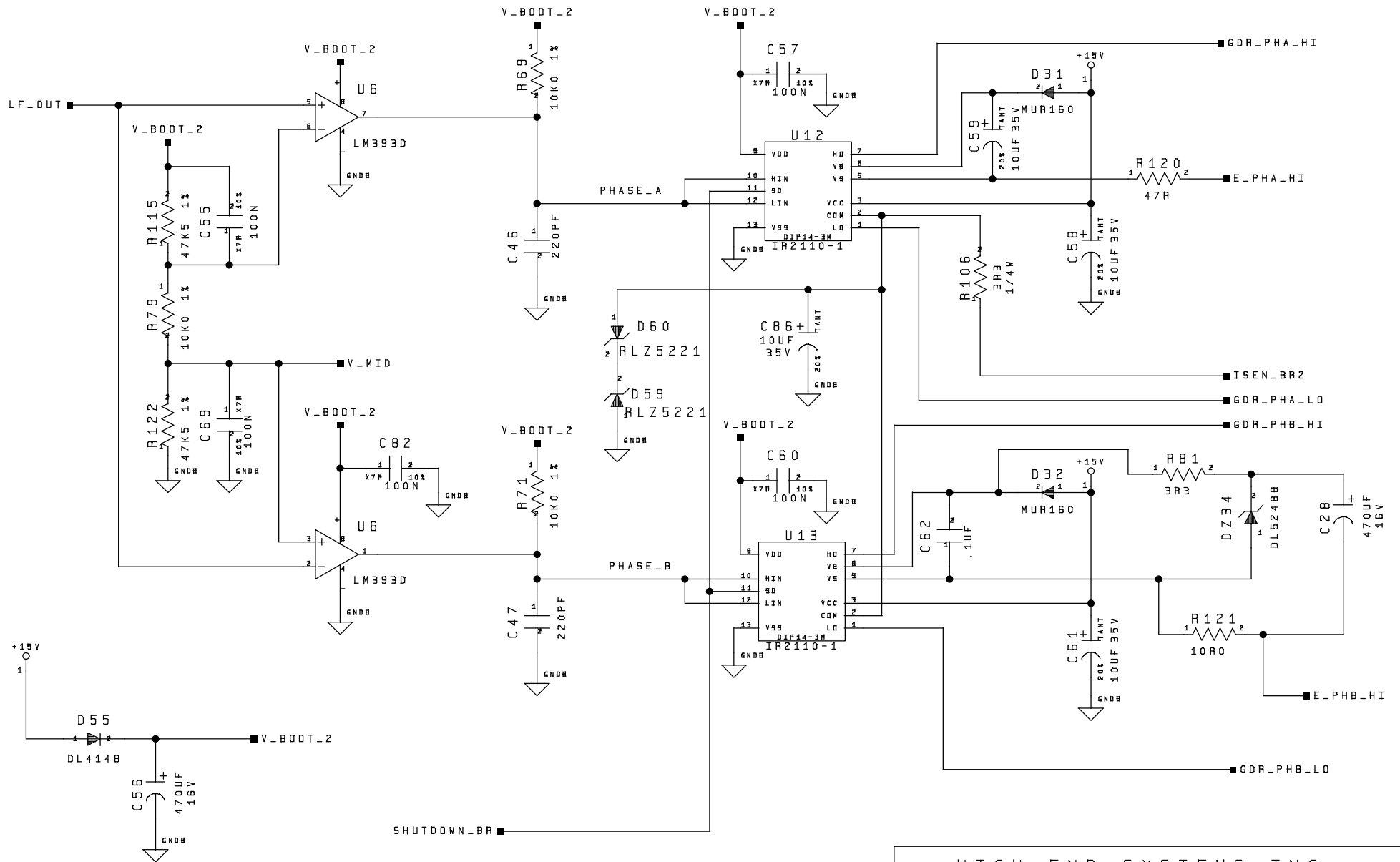
Page 7 of 13



HIGH END SYSTEMS INC.			
Title: STUDIO COLOR WASH FIXTURE LAMP SWITCHING POWER SUPPLY			
Function: _ _ _			
Drawing No. 990300655SCH	REV. 2.0.1	Size A2	Date 9-28-1998-15.44 Page 8 of 13



HIGH END SYSTEMS INC.			
Title: STUDIO COLOR WASH FIXTURE LAMP SWITCHING POWER SUPPLY			
Function: ---			
Drawing No. 990300655CH		REV. 2.0.1	Date 9-28-1998-15.46 Page 10 of 13



HIGH END SYSTEMS INC.

Title:
STUDIO COLOR WASH FIXTURE
LAMP SWITCHING POWER SUPPLY



Function: BRDG DRIVER 065R201

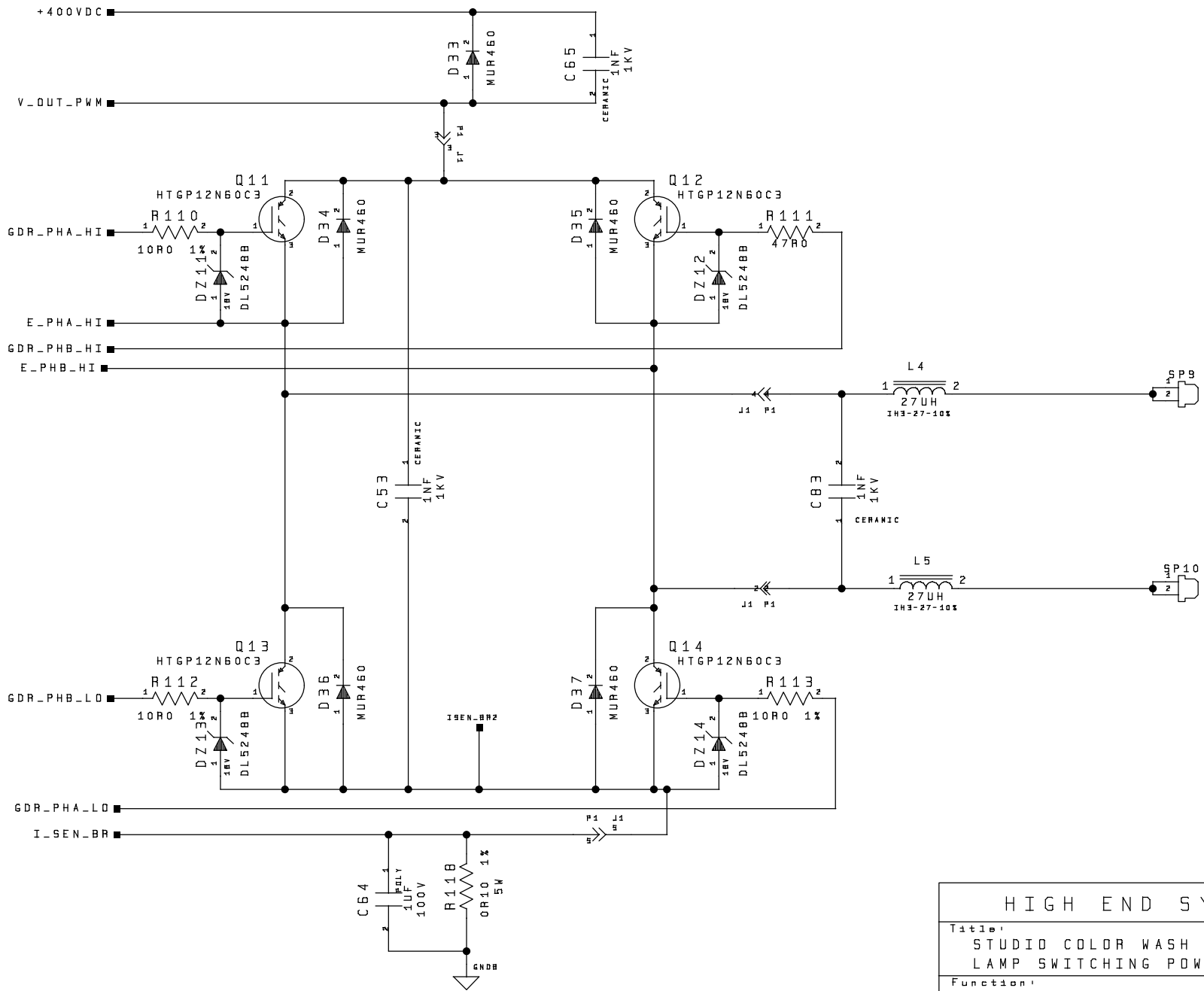
Drawing No.
990300655CH

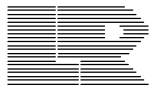
REV.
2.0.1

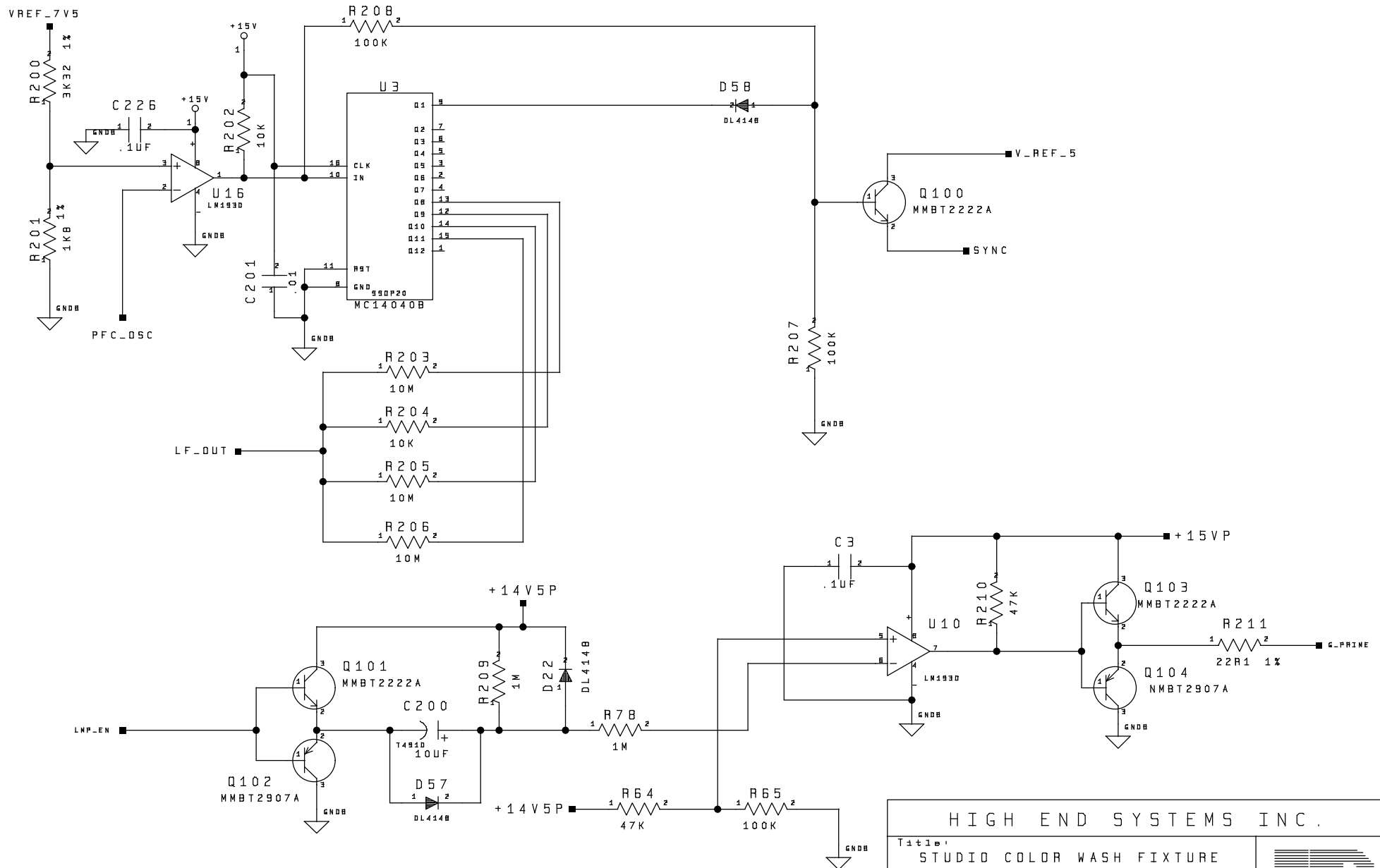
Size A2


Date 9-28-1998.15.46

Page 11 of 13



HIGH END SYSTEMS INC.			
Title: STUDIO COLOR WASH FIXTURE LAMP SWITCHING POWER SUPPLY			
Function: _____			
Drawing No. 990300655CH		REV. 2.0.1	Size A2
		Date 9-28-1998-15.47	Page 12 of 13



HIGH END SYSTEMS INC.			
Title:			
STUDIO COLOR WASH FIXTURE LAMP SWITCHING POWER SUPPLY			
Function:		065R201	
Drawing No.	REV.	Date	9-28-1998-15.47
99030065SCH	2.0.1	Size A2	Page 13 of 13