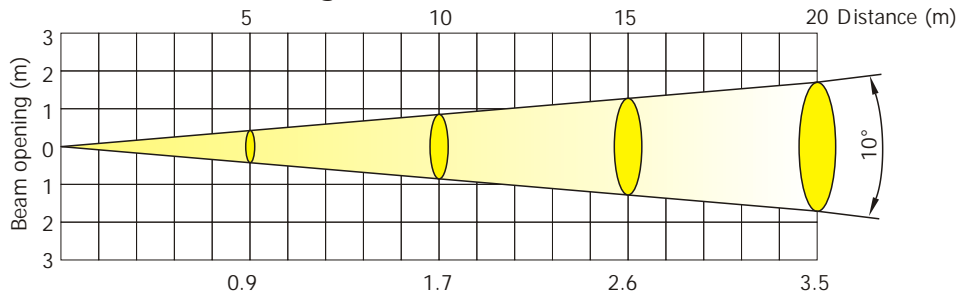


Robin DLS Profile

Photometric Diagrams

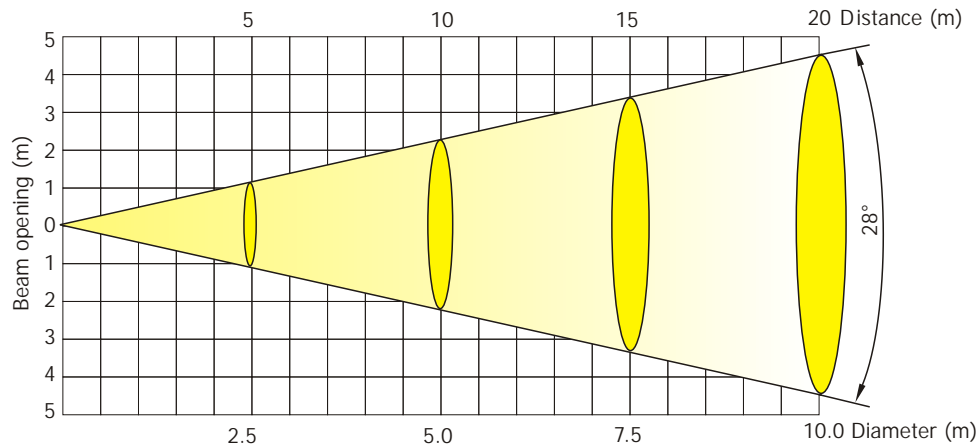
Beam angle 10° - Min. zoom



Lumen output:
 R= 810 lm
 G= 2400 lm
 B= 230 lm
 W= 1054 lm
 R+G+B+W= 4500 lm

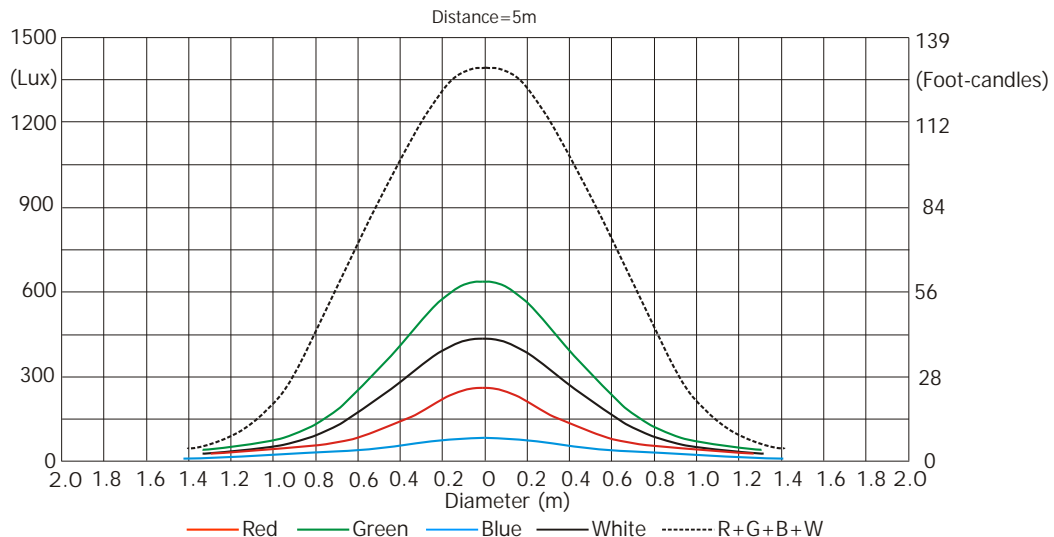
Distance (m)	5	6	8	10	12	14	15	20	
Red	1820/169	1264/117	710/66	455/42	455/42	232/22	202/19	114/11	Intensity (center) Lux/Footcandles
Green	4380/407	3041/283	1710/159	1095/102	760/70	560/52	489/45	274/25	
Blue	540/50	375/35	210/20	135/13	94/9	69/6	60/5.64	34/3	
White	2590/240	1798/167	1011/94	648/60	450/42	330/31	2288/27	162/15	
R+G+B+W	8930/830	6200/576	3488/324	2233/207	1550/144	1140/106	992/92	558/52	

Beam angle 10° with frost



Distance (m)	5	6	8	10	12	14	15	20	
Red	273/25	190/18	106/10	68/6	47/4	35/3	30/3	17/1.6	Intensity (center) Lux/Footcandles
Green	630/59	438/41	246/23	158/15	109/10	80/8	70/7	40/3.7	
Blue	87/8	60/6	34/3	22/2	15/1.4	11/1	10/0.9	5/0.5	
White	432/40	300/28	169/16	108/10	75/7	55/5	48/5	27/2.5	
R+G+B+W	1400/130	972/90	547/51	350/33	243/23	179/17	155/15	87/8	

Illuminance distribution

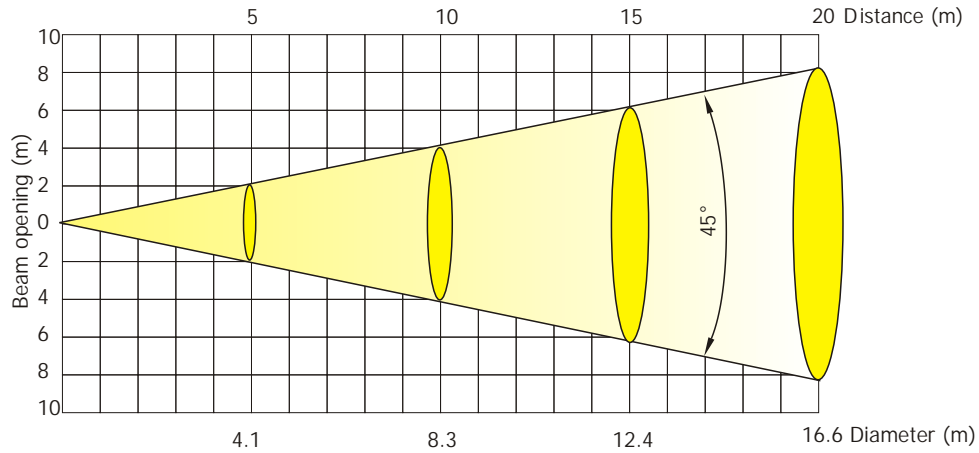


Robin DLS Profile

Photometric Diagrams

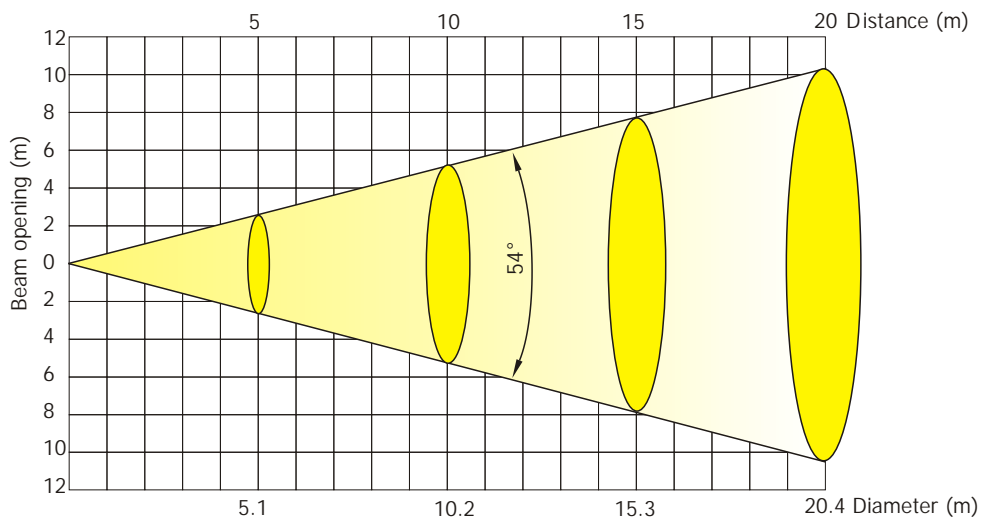
Lumen output:
 R= 930 lm
 G= 2800 lm
 B= 380 lm
 W= 1310 lm
 R+G+B+W= 6480 lm

Beam angle 45° - Max. zoom



Distance (m)	5	6	8	10	12	14	15	20	
Red	170/16	118/11	66/6	43/4	30/2.7	22/1.8	19/1.8	11/1	Intensity (center) Lux/Footcandles
Green	420/39	292/27	164/15	105/10	73/7	54/5	47/4	26/2.4	
Blue	53/4.9	37/3.4	21/1.9	13/1.2	9/0.9	7/0.6	6/0.5	3.3/0.3	
White	366/34	254/24	143/13	92/9	64/6	47/4.3	41/4	23/2	
R+G+B+W	960/89	666/62	375/35	240/22	166/16	122/11	107/10	60/5.6	

Beam angle 45° with frost



Distance (m)	5	6	8	10	12	14	15	20	
Red	66/6	46/4	26/2.4	17/1.5	12/1.1	8/0.8	7/0.7	4/0.4	Intensity (center) Lux/Footcandles
Green	104/10	72/7	41/4	26/2.4	18/1.7	13/1	12/1.1	7/0.6	
Blue	19/1.8	13/1.2	7/0.7	4.8/0.4	3.3/0.3	2.4/0.2	2.1/0.2	1.2/0.1	
White	118/11	82/8	46/4	30/3	21/1.9	15/1.4	13/1.2	7/0.7	
R+G+B+W	490/46	340/32	192/18	123/11	85/8	63/6	54/5	31/2.8	

Robin DLS Profile

Photometric Diagrams

Illuminance distribution
Distance=5m

