

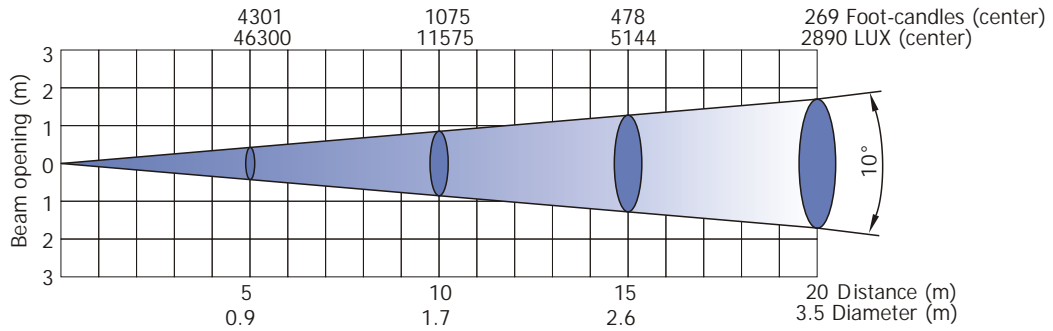
Robin 600E Spot

Photometric Diagrams

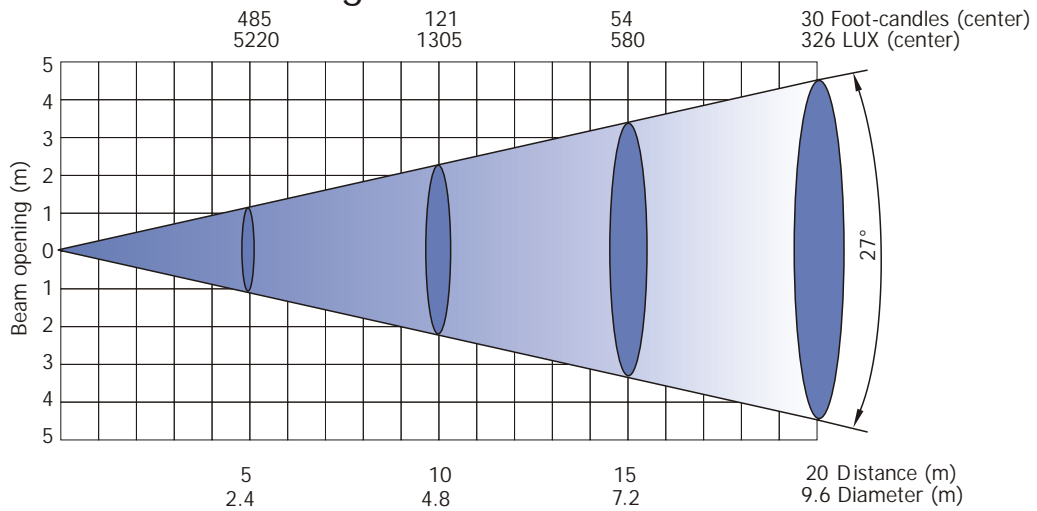
Lamp: MSR Gold 575/2 MiniFastFit

Beam angle 10° - Min. zoom

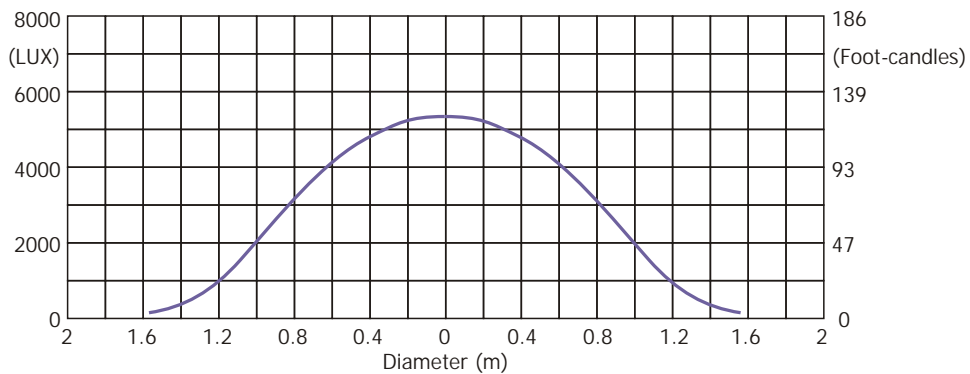
Total Output: 10685 lumens



Beam angle 10° with frost



Beam angle 10° with frost, distance=5m



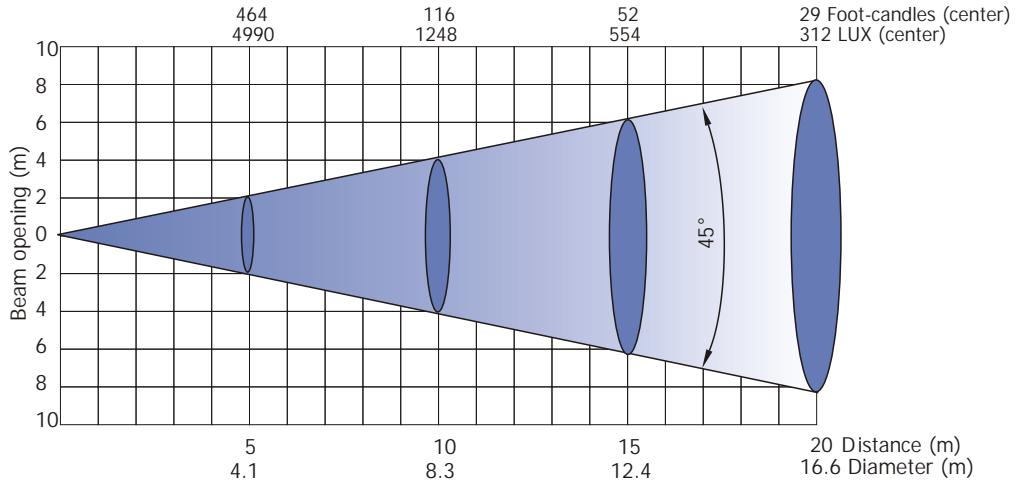
Robin 600E Spot

Photometric Diagrams

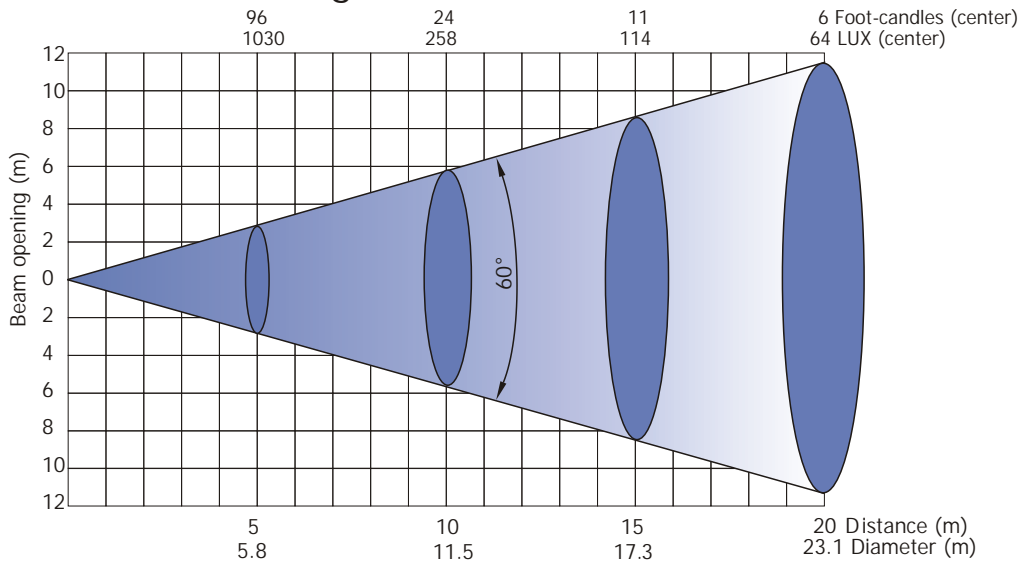
Lamp: MSR Gold 575/2 MiniFastFit

Beam angle 45° - Max. zoom

Total Output: 11160 lumens



Beam angle 45° with frost



Beam angle 45° with frost, distance=5m

