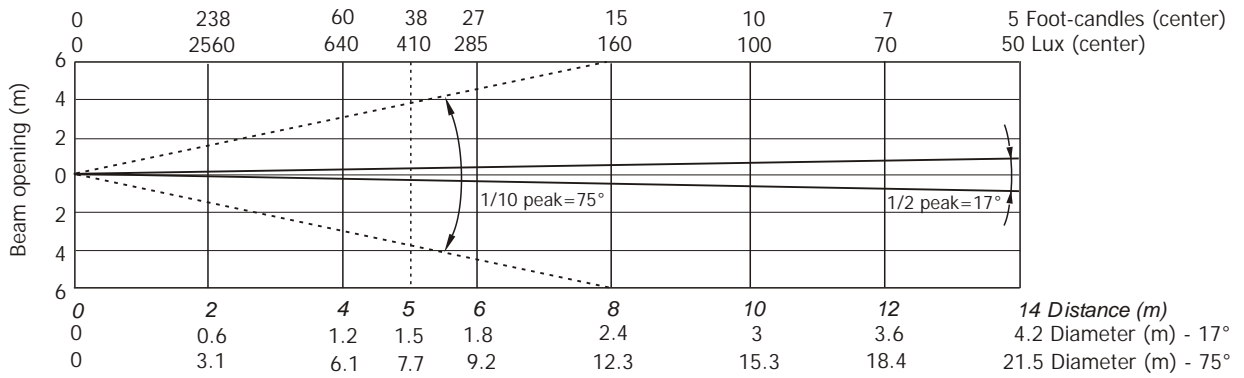


PATT 2013

Photometric Diagram



Illuminance distribution

Distance=5m

