

Robin MegaPointe

Photometric Diagram

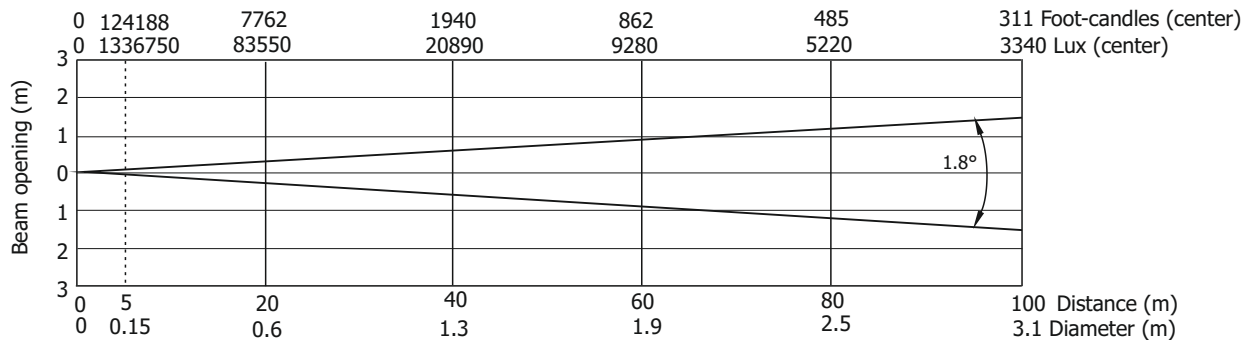
Lamp: Osram Sirius HRI 470W

Lamp in Standard mode

Beam Application

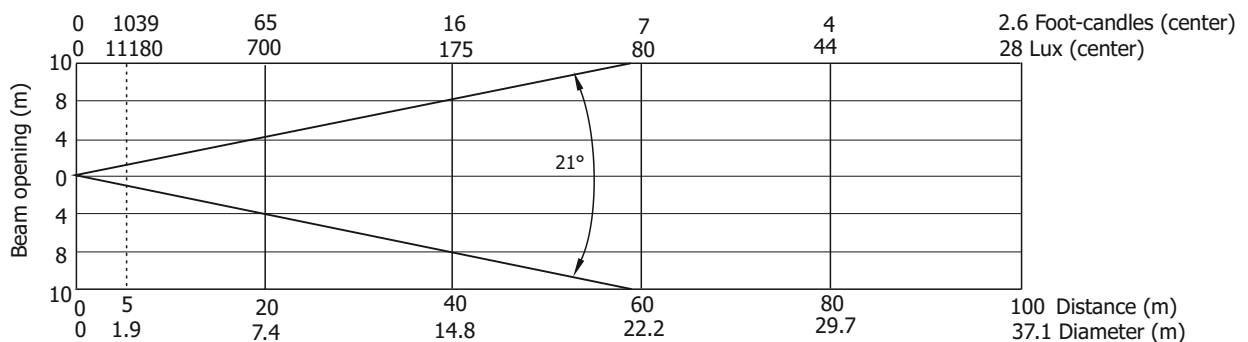
Min. Zoom (Min. Hot-Spot, Ratio 2.7:1)

Total Output: 11040 lumens



Max. Zoom (Min. Hot-Spot, Ratio 3.5:1)

Total Output: 14720 lumens



Fixture setting
CRI Setting: Standard
Close Proximity Mode Off
Hot-Spot control: 1 DMX
Lamp mode: standard

Robin MegaPointe

Photometric Diagram

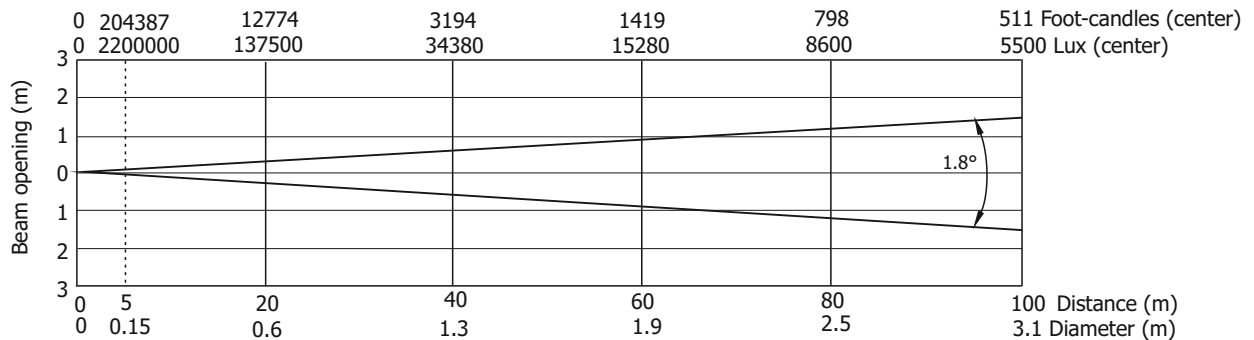
Lamp: Osram Sirius HRI 470W

Lamp in Standard mode

Beam Application

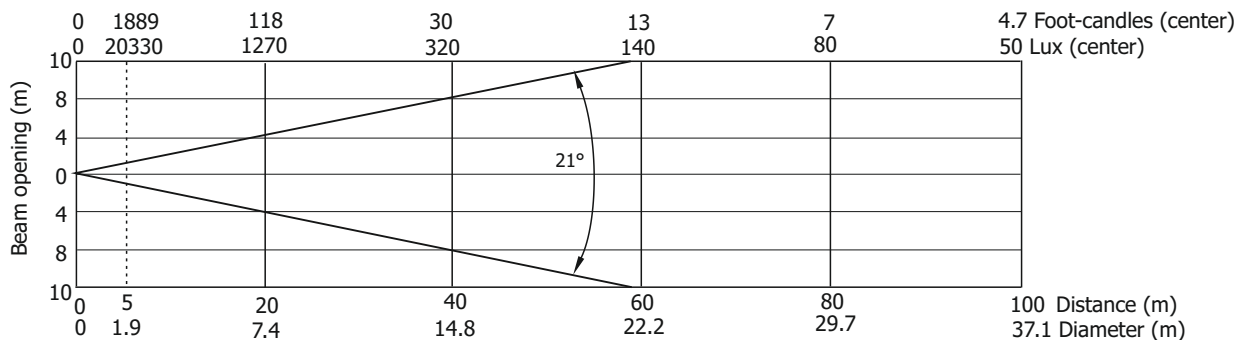
Min. Zoom (Max. Hot-Spot, Ratio 5:1)

Total Output: 12807 lumens



Max. Zoom (Max. Hot-Spot, Ratio 7:1)

Total Output: 16008 lumens



Fixture setting
CRI Setting: Standard
Close Proximity Mode Off
Hot-Spot control: 0 DMX
Lamp mode: standard

Robin MegaPointe

Photometric Diagram

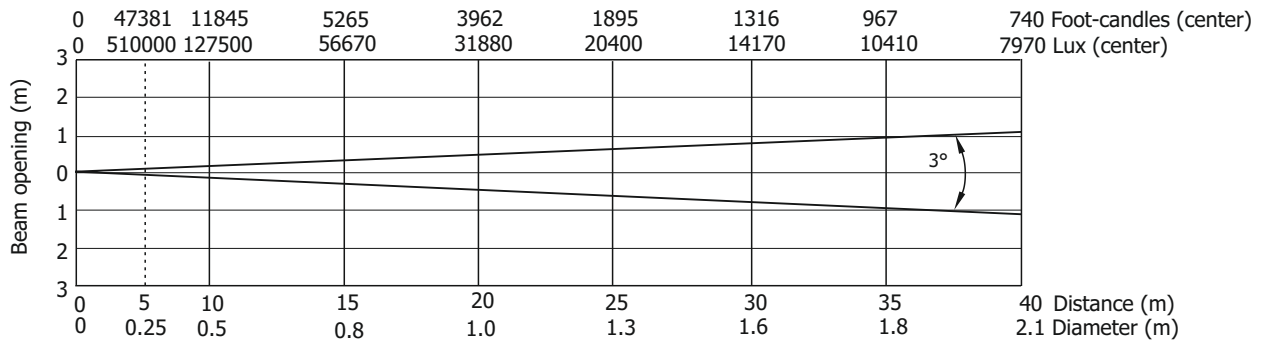
Lamp: Osram Sirius HRI 470W

Lamp in Standard mode

Spot Application

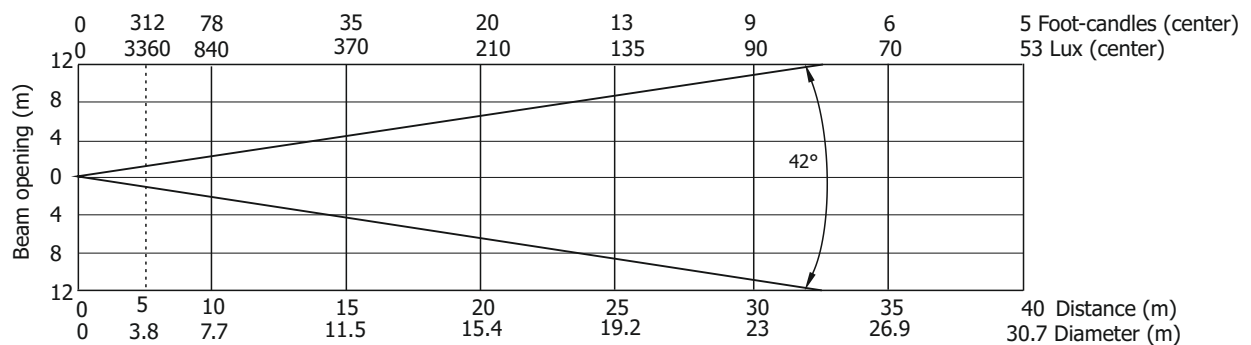
Min. Zoom (Min. Hot-Spot, Ratio 2.5:1)

Total Output: 14240 lumens



Max. Zoom (Min. Hot-Spot, Ratio 3.2:1)

Total Output: 17800 lumens



Fixture setting
 CRI Setting: Standard
 Close Proximity Mode Off
 Hot-Spot control: 0 DMX
 Lamp mode: Standard

Robin MegaPointe

Photometric Diagram

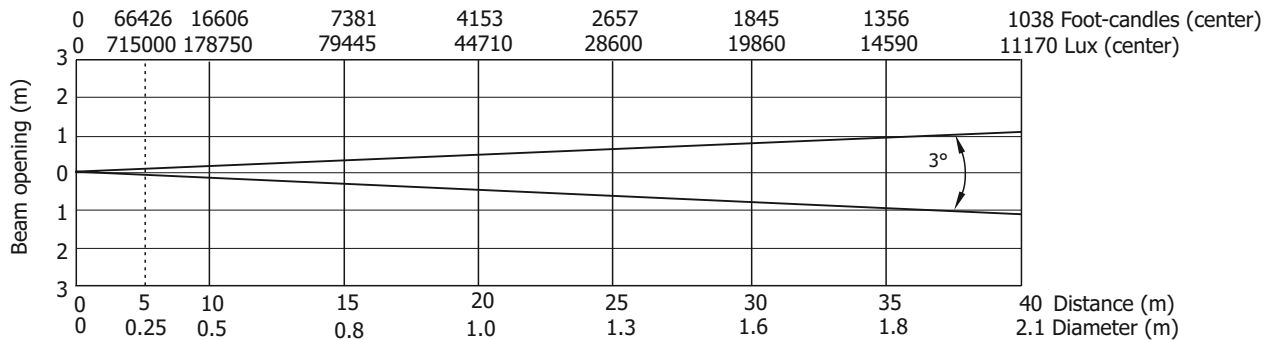
Lamp: Osram Sirius HRI 470W

Lamp in Standard mode

Spot Application

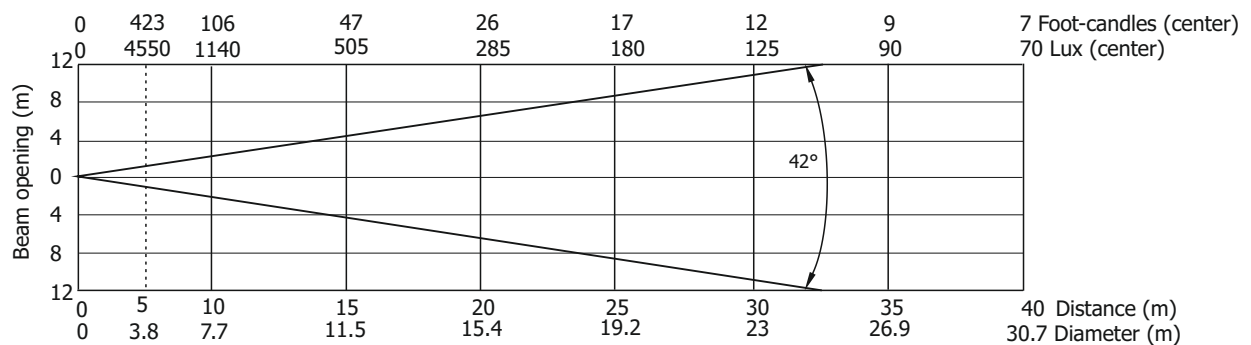
Min. Zoom (Max. Hot-Spot, Ratio 4:1)

Total Output: 16300 lumens



Max. Zoom (Max. Hot-Spot, Ratio 5:1)

Total Output: 20375 lumens



Fixture setting
 CRI Setting: Standard
 Close Proximity Mode Off
 Hot-Spot control: 255 DMX
 Lamp mode: Standard