



M-8 FOG MACHINE

USER MANUAL



[ENGLISH]



© 2012 Antari Lighting and Effects Ltd.



Antari M-8 Stage Fog Machine

Congratulations on the purchase of your new ANTARI FOG MACHINE

Thank you for choosing Antari Fog Machine. You now own a rugged and powerful state-of-the-art machine. Prior to use, we suggest that you carefully read all of the instructions. By following the suggestions found in this user manual, you can look forward to the reliable and satisfactory performance of your ANTARI FOG MACHINE for years to come.

Please follow these operation, safety and maintenance instructions to ensure a long and safe life for your fog machine.

CAUTION

Risk of electric shock. Disconnect the machine from the electric supply before refilling liquid, cleaning or performing maintenance on the machine.

- Danger of Electric Shock
- Keep this device dry.
- Always use 3-prong grounded electrical outlet for all power voltage. Prior to use take care to determine that the unit is installed at the rated voltage.
- Always unplug your ANTARI FOG MACHINE before filling its tank.
- Always keep the fog machine in flat position.
- Turn off or unplug the machine when not in use.
- If moisture, water or fog liquid gets inside the machine, immediately use.
- Turn off or unplug the machine when not in use.

-If moisture, water or fog liquid gets inside the machine, immediately unplug the unit and wipe off and keep it dry.

-No user serviceable parts inside. Refer to your ANTARI dealer or other qualified Service personnel.

Danger of Burns

-Structural modification inside the machine is not allowed at anytime, please do not attempt to modify the machine by removing the cover, other wise burns may result.

-Never leave the unit running unattended.

-Never aim the output nozzle directly at people or animals.

-Fog machine output is very hot. Avoid coming with in 60cm of the output nozzle during operating.

-Locate the fog machine in a well-ventilated area. Never cover the unit's vents. In order to guarantee adequate ventilation, allow a free air space of at least 20 cm around the sides and top of the unit.

-Never aim the output nozzle at open flames.

-The output nozzle becomes very hot during operation (200°C). Keep flammable materials at least 50cm away from the nozzle.

-Always allow your ANTARI FOG MACHINE to cool down before attempting to clean or service it & transporting.

Danger of explosion

- Never add flammable liquids of any kind (such as oil, gas, perfume) to the fog liquid.
- Use only high-quality, water-based fog liquid that your dealer recommends. Other fog liquids may cause clogging or damage to internal parts.

- Always make sure there is sufficient liquid in the tank. Operating this unit without liquid will cause damage to the pump as well as over-heating of the heater. If you ANTARI fog machine fails to work properly, discontinue use immediately. Drain all fog liquid from tank, pack the unit securely (preferably in the original packing material), and return it to your ANTARI dealer for service.
- Always drain tank before mailing or transporting this unit.
- Never drink fog liquid. If it is ingested, call a doctor immediately. If fog liquid comes in contact with skin or eyes, rinse thoroughly with water.

NOTE: Pay attention to all warning labels and instructions printed on the exterior of your ANTARI Fog Machine.

- Open the shipping carton and verify that all equipment necessary to operate the system has arrived intact.
- The shipping carton should contain the following items:
 1. One unit of ANTARI M-8 Fog Machine with power cord.
 2. M-21 multi-function remote control with attached 2 meter cord.
 3. User Manual

If any equipment is missing contact your ANTARI dealer immediately.

Before beginning your initial setup on the ANTARI M-8 Fog Machine, make sure that there is no evident damage caused by transportation. In the event that the unit's housing or cable is damaged, do not plug it in and do not attempt to use it until after contacting your ANTARI dealer for assistance.

Setup

- Remove all packing materials from shipping box. Check that all foam and plastic padding is removed, especially in the nozzle area.
- Place fog machine on a flat surface and remove fog liquid tank cap.
- Fill with high-quality, water-based fog liquid recommended by Antari dealer.
- When filled, place cap back on liquid tank.
- Firmly attach the M-21 control module cable to the connector inside the rear chamber for the machine.

Operation

- Plug power cord into a grounded electrical outlet. Turn the power switch to “ON” on the back of the machine. Warm-up is completed when the display on the control module shows “Ready to Fog”
- To emit fog press the appropriate button on the M-21 control module for fogging duration, interval and volume
- The control unit display will display “Warming up” and “Ready to fog” as the machine re-heats to the proper operating temperature.
- For further information on operating your M-8 Fog Machine, see the section titled “Control Module Operation”
- The limited warranty is based on 8-hour operation per day. Exceeding usage may shorten the lifetime of machines.

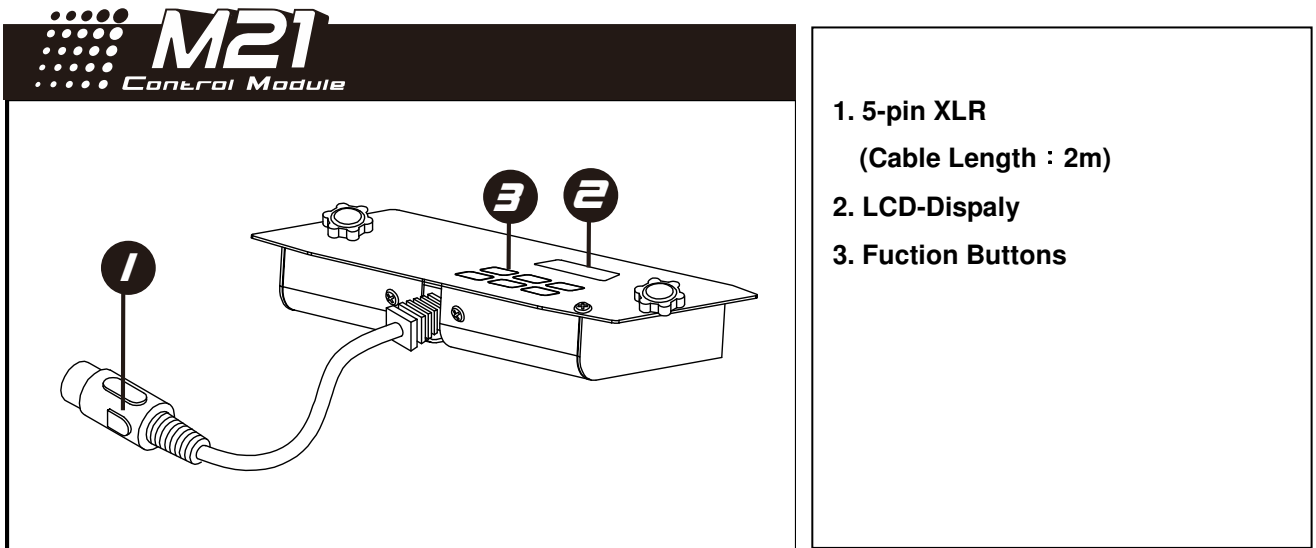
Caution

“Visibility during operation is reduced” This model can be operated at a floor level or sitting on any regular surface. Whatever installation method you choose, do not allow the unit to have more than 35 degree angle of inclination.

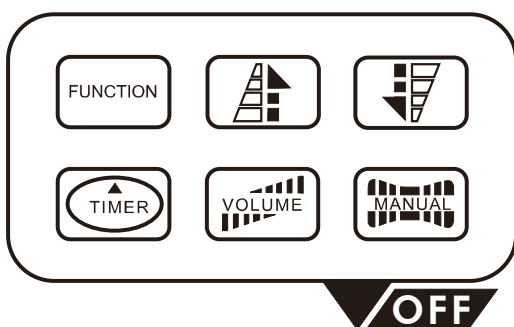
Control Module Operation

M-21 Control Remote

The M-21 is a 2 meter wired multi-function remote control with 5-pin XLR connector for ANTARI Fog Machine models M-8. Its interface allows operator to customize fog machine functions by adjusting fogging duration, interval and volume. Its LCD displays current operating parameters, which are automatically stored in non-volatile memory, allowing the machine to be turned off without losing function settings.



1. 5-pin XLR
(Cable Length : 2m)
2. LCD-Display
3. Function Buttons



1. Function-button Sub-menus:
 - Interval Set
 - Duration Set
 - Timer Out
 - Volume Out
 - DMX 512 Add
 - Fluid Sensor
 - Quick Start
2. Up / Down button
3. Timer button
4. Volume button
5. Manual (OFF) button

Setting time intervals for timer operation

Press the button FUNCTION until the display indicates »Interval Set«. Use the buttons UP and DOWN to adjust the intervals between the individual fog outputs in timer mode within

the range of 1 and 200 seconds.

Setting the output duration for timer operation

Press the button FUNCTION until the display indicates »Duration Set«. Use the buttons UP and DOWN to adjust the duration of the fog outputs in timer mode within the range of 1 and 200 seconds.

Setting the fog output volume for timer operation

Press the button FUNCTION until the display indicates »Timer Out«. Use the buttons UP and DOWN to choose the fog output volume (at High or Medium or Low) in timer mode.

Setting the fog output volume

Press the button FUNCTION until the display indicates »Volume Out«. Use the buttons UP and DOWN to choose the fog output volume (at High or Medium or Low).

Setting the DMX512 address

Press the FUNCTION until the display indicates »DMX 512 Add.«. Use the buttons UP and DOWN, to set the machine to the same address as on your DMX controller. Please refer to chapter DMX512 settings for more information on DMX operation.

Switching the fluid sensor on and off

Press the button FUNCTION until the display indicates »Fluid Sensor On«. Use the buttons UP and DOWN to deactivate the fluid sensor (indication »Fluid Sensor Off«) and to reactivate it (indication »Fluid Sensor On«).

Switching the Quick Start mode on and off

Press the button FUNCTION until the display indicates »Quick Start On«. Use the buttons UP and DOWN to switch Quick Start mode of machine.

Quick Start mode:

If the “Quick Start” mode is activated, the M-8 will call the operating mode of previous operation when it is turned on. For instance, if the timer was selected last time, the machine will be directed in timer mode after the warm-up process is completed.

-Volume operation

Press the button VOLUME, to activate fog output at setting volume (High or Medium or Low output). The display indicates »Volume« followed by the output that was set in menu item »Volume Out«. To stop the fog output, press the button OFF (MANUAL).

-Manual operation

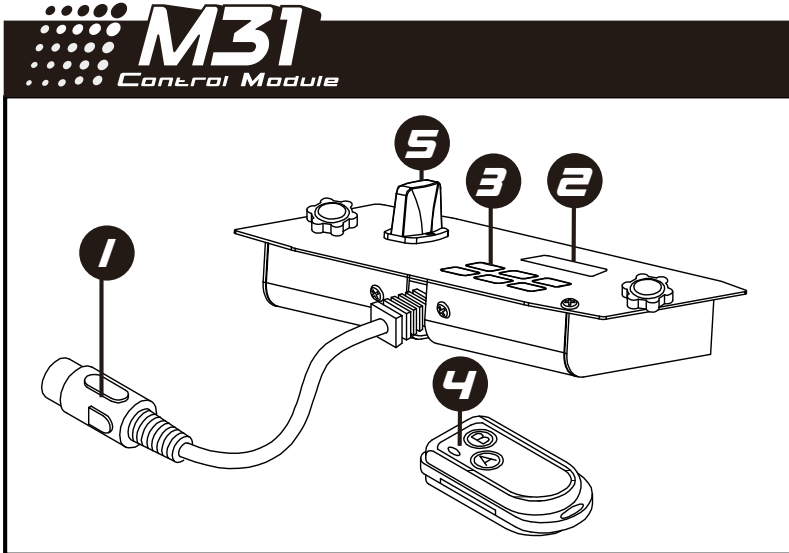
For immediate fog output at the maximum volume of fog, when the LCD screen displays “Ready To Fog”, keep the button MANUAL pressed. The display indicates »Manual 100 %«. The fog machine will always emit the maximum volume of fog when the button MANUAL is pressed. As soon as you release the button, the fog output will stop.

-Timer operation

In the timer mode, the fog machine will automatically emit fog. The time intervals, duration and fog volume depend on the corresponding menu settings. Press the button TIMER, to activate the timer mode. The display indicates the set time interval. The unit counts down to 0 seconds and emits fog. To deactivate the timer mode, press the button OFF (MANUAL).

M-31 Wireless Control Module Operation

The wireless control module M-31 consists of a transmitter equipped with two buttons for fog on and off, and a signal receiver pre-attached to the panel of each M-31.



1. 5-pin XLR
(Cable Length : 2m)
2. LCD-Display
3. Function Buttons
4. Transmitter
5. Receiver

* Transmitter:



With the transmitter it is possible to emit fog via radio over a distance of up to 50 meters. The transmitter is compatible to any receiver of the M-31 and can control an unlimited number of machines in parallel.

Press the button "A", to emit fog. The button "A" has the same function as the button VOLUME on the LCD control panel, i.e. the fog output depends on the setting of menu item »Volume Out«. The display indicates »Volume« (High or Medium or Low output). To stop the fog output, press the button "B".

*** Receiver:**



The receiver is tested and pre-attached to the panel of each M-31. Please do not try to remove it. The receiver responds to up to 5 different transmitters that are registered with the machine. The included transmitter has been registered to the machine before shipping. It can be directly operated without any start-up setting.

-Registering transmitters

To operate the machine with a different transmitter than the included one, or to operate it with up to 5 different transmitters, each transmitter must be registered in advance. For this purpose, turn on the machine. When the display indicates »Wireless Setup«, press the button “A” 1 second on each transmitter. Thus the previous transmitters are cleared from the memory of the receiver. The setting must be completed within 15 seconds after turning on the machine. Then the machine will automatically exit the transmitter setting mode. The display shows »Wireless Setup OK«. At this point, no further transmitter can be added. If no transmitter is registered when the machine is switched on, the memory of the receiver will keep the record of the previous operation.

Setting Example 1:

In order to register several transmitters with a machine, turn on the machine. When the display indicates »Wireless Setup«, press the button “A” 1 second on each transmitter within 15 seconds to establish the signal transmission.

Setting Example 2:


In order to use 1 transmitter to control 2 or more machines, turn on the machines respectively. When the displays indicate »Wireless Setup«, press the button “A” 1 second on the transmitter within 15 seconds to establish the signal transmission.

-Battery change on the transmitter

If the range of the transmitter decreases, the battery is probably exhausted and must be replaced. For this purpose, take off the housing cover and remove the used battery. Insert a fresh DC 12V battery as indicated in the battery compartment and refit the housing cover.

- **Note:** When warming-up process is completed and wireless function is activated the LCD screen indicates “Ready To Fog W”. (“W” means Wireless) On the contrary, when the wireless function is deactivated the LCD screen shows “Ready To Fog” (Without “W”).

ANTARI M-8 ON-BOARD DMX SETTINGS

	192-255 volume / High output
	127-191 volume / Medium output
	32-126 volume / Low output
	0-31 OFF

The M-8 has on-board DMX control. It uses 1 channel to control volume output operation. The channel has a value range of 0 to 255.

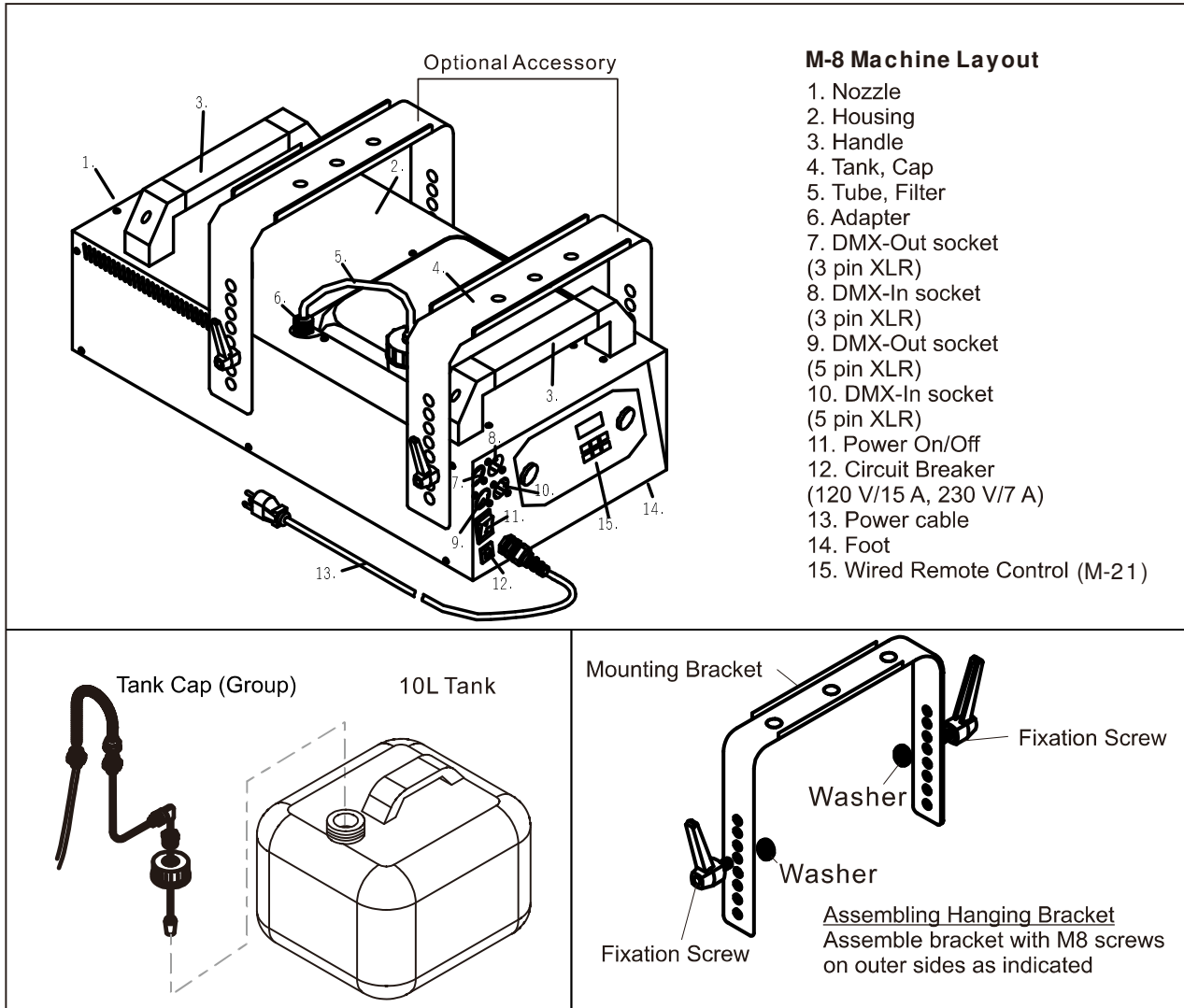
When the channel has a value between 0 and 31, the unit is OFF.

When the channel has a value between 32 and 126, the volume is at Low output.

When the channel has a value between 127 and 191, the volume is at Medium output.

When the channel has a value between 192 and 255, the volume is at High output.

M-8 Description



If you experience low output, pump noisily or no output at all, unplug immediately. Check fluid level, the fuse, remote control connection and mains power. If all of the above appears to be O.K., plug the unit and try again. If fog still can not be produced, check the hose attached to the tank to make sure there is fluid going through the hose. If you are unable to determine the cause of the problem, do not continue pushing the buttons on controller, as this may damage the unit. Return the machine to your Antari dealer.

Technical Specifications

MODEL	M-8
Power Supply	100~230V AC, 50/60 Hz~
Power Consumption	1800W
Output Volume	700m ³ /min
Tank Capacity	10 liters
Fluid Consumption	7 min / Liter
Weight	15kg
Dimensions(LxWxH)	668x319x170 mm
Remote Included	M-21
Optional Remote	M-31
Warm-Up Time	8 min

Performance Note

All fog machines develop condensation around the output nozzle. This may result in some moisture accumulation on the surface below the output nozzle, gently wipe it clean. In order to give the best performance and longest life-span of fog machines, please use high quality fog fluids which Antari or the authorized distributor's recommends.

Maintenance / Storage

Do not allow the fog fluids to become contaminated. Always replace the cap on the fog liquid container and the fog machine liquid tank immediately after refilling. Cleaning your fog machine regularly can help you to reduce the frequency of parts replacement and maintenance costs. After every 40 hours of continuous operation, it is recommended to use distilled water to clean the heater according to the steps below.

The recommended cleaning steps is as followings:

1. Fill properly distilled water into a clean tank and connect the fluid tube of the fog machine

to the tank.

2. Run the unit in a well-ventilated area until the tank is almost empty.
3. Use dry cloth to wipe the fog machine. Cleaning is now completed. Refill with fog liquid.

Run the machine briefly to clear any remaining liquid from the pump and heater.

Note: All fog machines are prone to clogging due to the thick consistency of fog liquid and the high temperature at which it vaporizes. However, a properly maintained fog machine should provide years of reliable use.

Clean with a dry cloth only. Store dry.

If the fog machine is not in use, please clean it before storage. Store the fog machine in a dry and cool place. Operate the fog machine at least once a month. A test-run consists of warming-up the machine followed by a few minutes of fog emission.

Please read and save these instructions.



For current product information visit Antari at : www.antari.com
For information requests please contact us at: sales@antari.com

C08M08000