

ELED Tri 64B Dimensions

The ELED Tri 64B by Elation Professional is an intelligent, high powered LED par can featuring RGB additive color mixing using the 3-in-1 TRI-COLOR LED system providing smooth color mixing and no multi-color color shadows. The ELED Tri 64B's optical system features 54 1W LEDs, 18 red, 18 green, 18 blue - 54 total watts. This fixture has four operating modes: sound active mode, auto mode, RGB mode, and DMX. In DMX control mode the ELED Tri-64B can be operated in six DMX modes: 1, 2, 3, 4, 6 and 7 channel mode. Control data input is via 3 pin or 5 pin DMX data first in and out connections. The unit can operate from 90~240V AC via the internal auto sensing electronic power supply. This unit also features flicker free 0-100% electronic dimming as well as a 25° beam angle. The ELED Tri-64B is designed for indoor use only and is fully operational in any safe working position.

FEATURES

- High powered LED par can
- 54 1W LEDs, 18 red, 18 green, 18 blue - 54 total watts
- RGB additive color mixing
- Gel frame included
- 25° lenses
- Rated IP 20
- Fan cooled
- Internal electronic power supply, multi-voltage
- Built in Microphone
- Sound-Active mode - The unit will react to sound, chasing through the built in programs
- Macro Mode - There are 35 color macros to choose from
- Auto Mode - There are 6 built in programs to choose from
- DMX control mode - This function will allow you to control each individual fixtures traits with a standard DMX 512 controller such as the Elation® Show Designer™

TECHNICAL SPECIFICATIONS

- **DMX Channels:** 7 DMX channels, 6 DMX Modes: 1 channel mode, 2 channel mode, 3 channel mode, 4 channel mode, 6 channel mode, and 7 channel mode
- **Control:** USITT DMX-512 (16-bit resolution), 3-pin and 5-Pin XLR serial input/output
- **Dimmer:** Flicker free electronic dimming 0-100%
- **Power Supply:** Multi-voltage: 90V~240V, 50/60Hz
- **Power Consumption:** Maximum 70W
- **Fuse:** 120V 2 Amp / 230V 1 Amp
- **Lamp:** 18 Tri-Color, 1Watt LEDs (3-in-1 TRI LED) / 54 1-Watt Total (18 x Red, 18 x Green 18 x Blue)
- **Lamp life:** Long Life L.E.D. (rated at 50,000 Hours)
- **Dimensions:** (LxWxH): 18.5" x 10.75" x 10" / 470 x 274 x 254 mm
- **Weight:** 9 lbs. / 4 kgs.
- **Rigging:** Single yoke



COLORS

RGB - ADDITIVE COLOR MIXING

- Uses 3-in-1 TRI LED system for superior color mixing - No three color shadows.
- Red, Green, and Blue LEDs
- A continuous range of colors may be achieved by varying the amount of intensity from 0 to 100%

PHOTOMETRICS

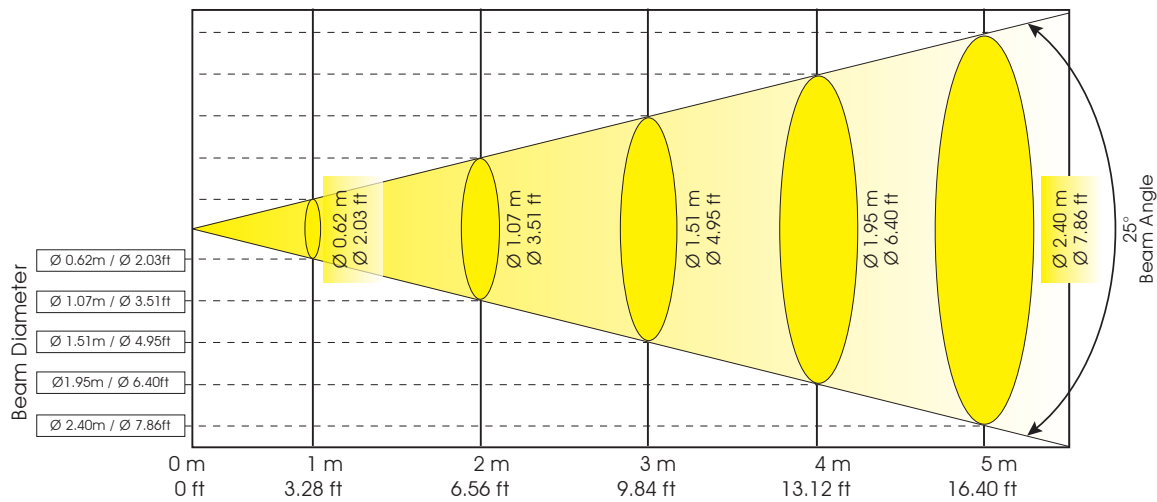
ELED Tri 64B

Photometric Beam Angle Data

Standard 25° Lens: 25° Beam Angle

LUX x 0.0929 = FC

R (18)	117 FC / 1,260 LUX	31 FC / 340 LUX	14 FC / 152 LUX	8 FC / 89 LUX	5 FC / 59 LUX
G (18)	167 FC / 1,800 LUX	46 FC / 490 LUX	20 FC / 216 LUX	12 FC / 133 LUX	8 FC / 89 LUX
B(18)	9 FC / 100 LUX	4 FC / 40 LUX	1 FC / 16 LUX	1 FC / 12 LUX	0.7 FC / 8 LUX



DMX TRAITS

1 Channel Mode:

Channel	Value	Function
1	0 - 255	Macros

2 Channel Mode:

Channel	Value	Function
1	0 - 255	Macros
2	0 - 255	Dimmer 0% - 100%

3 Channel Mode:

Channel	Value	Function
1	0 - 255	Red 0% - 100%
2	0 - 255	Green 0% - 100%
3	0 - 255	Blue 0% - 100%

4 Channel Mode:

Channel	Value	Function
1	0 - 255	Red 0% - 100%
2	0 - 255	Green 0% - 100%
3	0 - 255	Blue 0% - 100%
4	0 - 255	Dimming 0% - 100%

6 Channel Mode:

Channel	Value	Function
1	0 - 255	Red 0% - 100%
2	0 - 255	Green 0% - 100%
3	0 - 255	Blue 0% - 100%
4	16 - 255	Color Macro
5	0 - 15	Nothing
	16 - 255	Strobe
6	0 - 255	Dimming 0% - 100%

7 Channel Mode:

Channel	Value	Function
1	0 - 255	Red 0% - 100%
2	0 - 255	Green 0% - 100%
3	0 - 255	Blue 0% - 100%
4	16 - 255	Color Macro
5	0 - 15	Nothing
	16 - 255	Strobing / speed control
6		<u>Mode</u>
	0 - 31	RGB using channel's 1, 2 & 3
	32 - 63	Dim - Bright
	64 - 95	Bright - Dim
	96 - 127	Dim - Bright - Dim
	128 - 159	Color mixing
	160 - 191	3 color change
	192 - 223	7 color change
	224 - 255	Sound active
7	0 - 255	Dimming 0% - 100%