



WW PROFILE™

SKU# **WWP001**

The new WW Profile™ Ellipsoidal features a 130W Warm White 3,000K LED engine, >94CRI, high efficiency offering 6,700 total lumens (with 26° lens) with only 160W max power consumption (42 lumens per watt), 19°, 26°, 36°, and 50° interchangeable lens options (sold separately), (4) blade manual framing shutters, supports B size metal or HT transparency gobos, manual focus, DMX controlled electronic strobe, dimming, and dimming curves, flicker free operation for TV and FILM, adjustable refresh frequency and gamma brightness, 3/5pin DMX and powerCON in/out connections, (4) button LCD control display panel, an integrated rigging yoke, quiet fan cooling, and a multi-voltage universal auto switching power supply (100-240v).



FEATURES

130W Warm White 3,000K LED Engine

>94CRI, 6,700 Total Lumens*

160W Max Power Consumption / 42 Lumens Per Watt

Interchangeable Lens Options 19°, 26°, 36°, 50°**

(4) Blade Manual Framing Shutters

Supports B Size Metal or HT Transparency Gobos***

Electronic Strobe and Variable Dimming Curves

Flicker Free Operation for TV and FILM

Adjustable Refresh Frequency and Gamma Brightness

Quiet Fan Cooling

(*with 26° lens) (sold separately)(***gobos and holder not included)**



ELATION | WW PROFILE™ | Product Specification Sheet

Specifications are subject to change without notice ©Elation Professional 2/19/16

Elation Professional USA | 6122 S. Eastern Ave. | Los Angeles, CA. 90040
323-582-3322 | 323-832-9142 fax | www.elationlighting.com | info@elationlighting.com

Elation Professional B.V. | Junostraat 2 | 6468 EW Kerkrade, The Netherlands
+31 45 546 85 66 | +31 45 546 85 96 fax | www.elationlighting.eu | info@elationlighting.eu

PRODUCT SPECIFICATIONS

SOURCE

130W Warm White 3,000K LED Engine
50,000 Hour Average LED Life*

*LED Life may vary depending on several factors including but not limited to: Environmental Conditions, Power/Voltage, Usage Patterns (On-Off Cycling), Control and Dimming.

PHOTOMETRIC DATA

>94CRI, 6,700 Total Lumens*
(*with 26° lens)

EFFECTS

Electronic Strobe and Dimming
Variable Dimming Curve Modes

GOBOS

Supports "B" Size Metal, HT Transparency Gobos*
*Gobos and Holder not included.

CONTROL / CONNECTIONS

2 DMX Channel Modes (1 / 4)
Adjustable Refresh Rate (900-1500, 25,000 Hz)
Adjustable Gamma Brightness (2.0, 2.2, 2.4, 2.8)
4 Button Control Panel / LED Menu Display
3/5pin DMX In/Out / powerCON In/Out

SIZE / WEIGHT

Length: 24.3" (618mm) / 26.5" (674mm) Fully Extended
Width: 12.2" (310mm)
Vertical Height: 15.7" (398mm)
Weight: 21.0 lbs. (9.5 kg)

ELECTRICAL / THERMAL

Quiet Fan Cooling
AC 100-240V - 50/60Hz
160W Max Power Consumption
14° to 113°F (-10° to 45°C)

APPROVALS / RATINGS

CE | cETLus | IP20



INSTALLATION

Rigging: Integrated Yoke
Working Position: Any (360°)

INCLUDED ITEMS

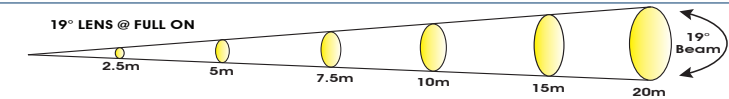
- (1) powerCON Cable
- (1) 3pin DMX Cable
- (1) Safety Cable

LENS Options (sold separately)

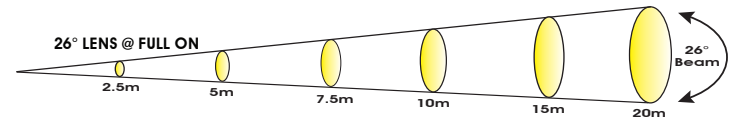
19°, 26°, 36°, 50°



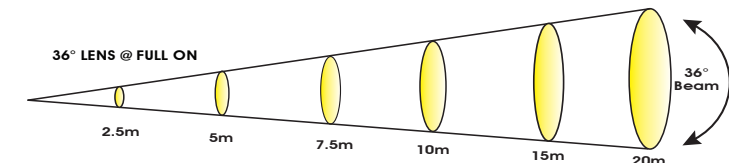
PHOTOMETRIC DATA



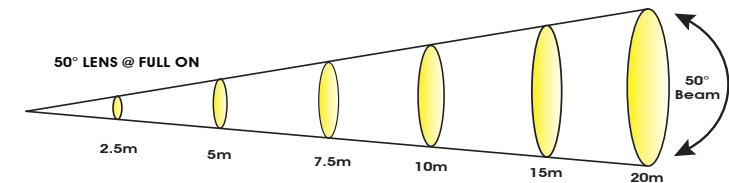
2.5m		5m		7.5m		10m		15m		20m		
m	ft	m	ft	m	ft	m	ft	m	ft	m	ft	
Diameter	0.79	2.6	1.61	5.3	2.43	8.0	3.21	10.5	4.8	15.7	6.4	21.0
Photometrics	17,450	1,621	4,077	379	1,797	167	1,047	97	499	46	312	29



2.5m		5m		7.5m		10m		15m		20m		
m	ft	m	ft	m	ft	m	ft	m	ft	m	ft	
Diameter	1.14	3.7	2.25	7.4	3.45	11.3	4.6	15.1	6.9	22.6	9.2	30.2
Photometrics	7,818	726	2,000	186	961	89	597	55	294	27	160	15

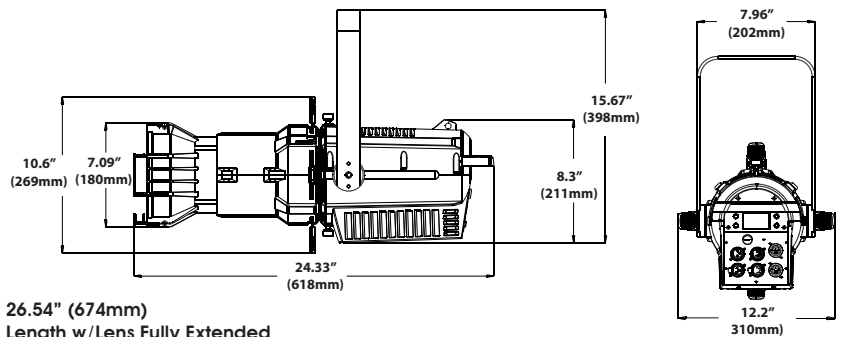


2.5m		5m		7.5m		10m		15m		20m		
m	ft	m	ft	m	ft	m	ft	m	ft	m	ft	
Diameter	1.5	4.9	3	9.8	4.51	14.8	6.01	19.7	9	29.5	11.9	39.0
Photometrics	5,319	494	1,395	130	634	59	389	36	195	18	120	11



2.5m		5m		7.5m		10m		15m		20m		
m	ft	m	ft	m	ft	m	ft	m	ft	m	ft	
Diameter	2.13	7.0	4.24	13.9	6.37	20.9	8.49	27.9	12.7	41.7	16.98	55.7
Photometrics	1,982	184	563	52	268	25	152	14	74	7	45	4

DIMENSIONAL DIAGRAM



26.54" (674mm)
Length w/Lens Fully Extended

OPTIONAL ACCESSORIES

ORDER CODE	ITEM
TRIGGER CLAMP	Heavy Duty Wrap Around Hook Style Clamp
PHD019	Profile High Definition Lens 19°
PHD126	Profile High Definition Lens 26°
PHD236	Profile High Definition Lens 36°
PHD350	Profile High Definition Lens 50°
AC3PDMX5PRO	3 ft. (1m) powerCON PRO Link Cable
AC3PDMX5PRO	5 ft. (1.5m) 3pin PRO DMX Cable
AC5PDMX5PRO	5 ft. (1.5m) 5pin PRO DMX Cable



Specifications are subject to change without notice ©Elation Professional 2/19/16

Elation Professional USA | 6122 S. Eastern Ave. | Los Angeles, CA. 90040
323-582-3322 | 323-832-9142 fax | www.elationlighting.com | info@elationlighting.com

Elation Professional B.V. | Junostraat 2 | 6468 EW Kerkrade, The Netherlands
+31 45 546 85 66 | +31 45 546 85 96 fax | www.elationlighting.eu | info@elationlighting.eu