

SNIPER PRO™

user manual

©2016 **ELATION PROFESSIONAL** all rights reserved. Information, specifications, diagrams, images, and instructions herein are subject to change without notice. ELATION PROFESSIONAL logo and identifying product names and numbers herein are trademarks of ELATION PROFESSIONAL. Copyright protection claimed includes all forms and matters of copyrightable materials and information now allowed by statutory or judicial law or hereinafter granted. Product names used in this document may be trademarks or registered trademarks of their respective companies and are hereby acknowledged. All non-ELATION brands and product names are trademarks or registered trademarks of their respective companies.

ELATION PROFESSIONAL and all affiliated companies hereby disclaim any and all liabilities for property, equipment, building, and electrical damages, injuries to any persons, and direct or indirect economic loss associated with the use or reliance of any information contained within this document, and/or as a result of the improper, unsafe, insufficient and negligent assembly, installation, rigging, and operation of this product.

Elation Professional USA | 6122 S. Eastern Ave. | Los Angeles, CA. 90040

323-582-3322 | 323-832-9142 fax | www.elationlighting.com | info@elationlighting.com

Elation Professional B.V. | Junostraat 2 | 6468 EW Kerkrade, The Netherlands

+31 45 546 85 66 | +31 45 546 85 96 fax | www.elationlighting.eu | info@elationlighting.eu

DOCUMENT VERSION



Please check www.elationlighting.com for the latest revision/update of this manual.

Date	Document Version	Software Version ≥	DMX Channel Modes	Notes
7/6/16	2	A: 1.0 Ab:1.0 B: 1.0 Bb:1.0 C: 1.0 Cb:1.0 D: 1.0 Db:1.0	25 / 27	Added 27CH mode.
12/20/16	3	A: 1.0 Ab:1.1 B: 1.0 Bb:1.1 C: 1.0 Cb:1.1 D: 1.0 Db:1.1	25 / 27	Updated DMX traits.

CONTENTS

General Information	4
Warranty	6
Safety Instructions and Guidelines	7
Discharge Lamp Warning	9
Fixture Overview	10
Lamp Installation Instructions	11
Fixture Installation	19
Fixture Menu	22
DMX Channel Functions And Values	25
Cleaning and Maintenance	31
Technical Specifications	32
Optional Accessories	35

GENERAL INFORMATION

INTRODUCTION

Congratulations, you have just purchased one of the most innovative and revolutionary new hybrid lighting fixtures on the market today! The fixture has been designed to perform reliably for years when the guidelines in this booklet are followed. Please read and understand the instructions in this manual carefully and thoroughly before attempting to operate this unit. These instructions contain important information regarding safety during use and maintenance.

UNPACKING

Every fixture has been thoroughly tested and has been shipped in perfect operating condition. Carefully check the shipping carton for damage that may have occurred during shipping. If the carton appears to be damaged, carefully inspect your unit for damage and be sure all accessories necessary to operate the unit have arrived intact. In the event damage has been found or parts are missing, please contact our customer support team for further instructions. Please do not return this unit to your dealer without first contacting customer support at the number listed below. Please do not discard the shipping carton in the trash. Please recycle whenever possible.

BOX CONTENTS

- (1) powerCON TRUE1 Cable

CUSTOMER SUPPORT

Elation Professional® provides a customer support line, to provide set up help and to answer any question should you encounter problems during your set up or initial operation. You may also visit us on the web at www.elationlighting.com for any comments or suggestions. For service related issue please contact Elation Professional®.

ELATION SERVICE USA - Monday - Friday 8:00am to 5:00pm PST

Voice: 323-582-3322

Fax: 323-832-9142

E-mail: support@elationlighting.com

ELATION SERVICE EUROPE - Monday - Friday 08:30 to 17:00 CET

Voice: +31 45 546 85 30

Fax: +31 45 546 85 96

E-mail: support@elationlighting.eu

WARRANTY REGISTRATION

Please complete and mail in the enclosed warranty card or register online: <http://www.elationlighting.com/Login.aspx> to validate your purchase. All returned service items whether under warranty or not, must be freight pre-paid and accompany a return authorization (R.A.) number. The R.A. number must be clearly written on the outside of the return package. A brief description of the problem as well as the R.A. number must also be written down on a piece of paper and included in the shipping container. If the unit is under warranty, you must provide a copy of your proof of purchase invoice. Items returned without a R.A. number clearly marked on the outside of the package will be refused and returned at customer's expense. You may obtain a R.A. number by contacting customer support.

IMPORTANT NOTICE!

There are no user serviceable parts inside this unit. Do not attempt any repairs yourself; doing so will void your manufactures warranty. Damages resulting from modifications to this fixture and/or the disregard of safety and general user instructions found in this user manual void the manufactures warranty and are not subject to any warranty claims and/or repairs.

LIMITED WARRANTY

A. Elation Professional® hereby warrants, to the original purchaser, Elation Professional® products to be free of manufacturing defects in material and workmanship for a period of two years (730 days), and Elation Professional® product rechargeable batteries to be free of manufacturing defects in material and workmanship for a period of six months (180 days), from the original date of purchase. This warranty excludes discharge lamps and all product accessories. This warranty shall be valid only if the product is purchased within the United States of America, including possessions and territories. It is the owner's responsibility to establish the date and place of purchase by acceptable evidence, at the time service is sought.

B. For warranty service, send the product only to the Elation Professional® factory. All shipping charges must be pre-paid. If the requested repairs or service (including parts replacement) are within the terms of this warranty, Elation Professional® will pay return shipping charges only to a designated point within the United States. If any product is sent, it must be shipped in its original package and packaging material. No accessories should be shipped with the product. If any accessories are shipped with the product, Elation Professional® shall have no liability what so ever for loss and/or or damage to any such accessories, nor for the safe return thereof.

C. This warranty is void if the product serial number and/or labels are altered or removed; if the product is modified in any manner which Elation Professional® concludes, after inspection, affects the reliability of the product; if the product has been repaired or serviced by anyone other than the Elation Professional® factory unless prior written authorization was issued to purchaser by Elation Professional®; if the product is damaged because not properly maintained as set forth in the product instructions, guidelines and/or user manual.

D. This is not a service contract, and this warranty does not include any maintenance, cleaning or periodic check-up. During the periods as specified above, Elation Professional® will replace defective parts at its expense, and will absorb all expenses for warranty service and repair labor by reason of defects in material or workmanship. The sole responsibility of Elation Professional® under this warranty shall be limited to the repair of the product, or replacement thereof, including parts, at the sole discretion of Elation Professional®. All products covered by this warranty were manufactured after January 1, 1990, and bare identifying marks to that effect.

E. Elation Professional® reserves the right to make changes in design and/or performance improvements upon its products without any obligation to include these changes in any products theretofore manufactured.

F. No warranty, whether expressed or implied, is given or made with respect to any accessory supplied with the products described above. Except to the extent prohibited by applicable law, all implied warranties made by Elation Professional® in connection with this product, including warranties of merchantability or fitness, are limited in duration to the warranty periods set forth above. And no warranties, whether expressed or implied, including warranties of merchantability or fitness, shall apply to this product after said periods have expired. The consumer's and/or dealer's sole remedy shall be such repair or replacement as is expressly provided above; and under no circumstances shall Elation Professional® be liable for any loss and/or damage, direct and/or consequential, arising out of the use of, and/or the inability to use, this product.

G. This warranty is the only written warranty applicable to Elation Professional® products and supersedes all prior warranties and written descriptions of warranty terms and conditions heretofore published.

SAFETY INSTRUCTIONS AND GUIDELINES

This fixture is an extremely sophisticated piece of electronic equipment. To guarantee a smooth operation, it is important to follow all instructions and guidelines in this manual. The manufacturer of this device is not responsible for injury and/or damages resulting from the misuse of this fixture due to the disregard of the information printed in this manual. Only qualified and/or certified personnel should perform installation of this fixture and only the original rigging parts (omega brackets) included with this fixture should be used for installation. Any modifications to the fixture and/or the mounting hardware included will void the original manufacturer's warranty and increase the risk of damage and/or personal injury.



PROTECTION CLASS 1 - FIXTURE MUST BE PROPERLY GROUNDED



DO NOT PLUG FIXTURE INTO A DIMMER PACK!

NEVER OPEN THIS FIXTURE WHILE IN USE!

UNPLUG POWER BEFORE SERVICING FIXTURE!

NEVER TOUCH FIXTURE DURING OPERATION, AS IT MAY BE HOT!

KEEP FLAMMABLE MATERIALS AWAY FROM FIXTURE!



INDOOR / DRY LOCATIONS USE ONLY!

DO NOT EXPOSE FIXTURE TO RAIN AND MOISTURE!



NEVER LOOK DIRECTLY INTO THE LIGHT SOURCE!

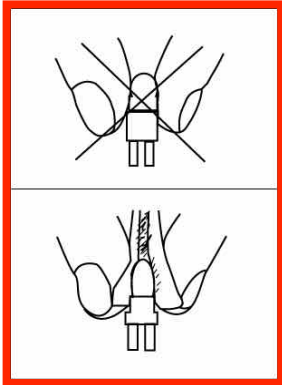
RETINA INJURY RISK - MAY INDUCE BLINDNESS!

SENSITIVE PERSONS MAY SUFFER AN EPILEPTIC SHOCK!

SAFETY INSTRUCTIONS AND GUIDELINES


- **DO NOT TOUCH** the fixture housing during operation. Turn OFF the power and allow approximately 15 minutes for the fixture to cool down before serving.
- **DO NOT** shake fixture, avoid brute force when installing and/or operating fixture.
- **DO NOT** operate fixture if the power cord has become frayed, crimped and/or damaged. If the power cord is damaged, replace it immediately with a new one of similar power rating.
- **DO NOT** block any air ventilation slots. All fan and air inlets must remain clean and never blocked. Allow approx. 6" (15cm) between fixture and other devices or a wall for proper cooling.
- When installing fixture in a suspended environment, always use mounting hardware that is no less than M10 x 25 mm, and always install fixture with an appropriately rated safety cable.
- Always disconnect fixture from main power source before performing any type of service and/or cleaning procedure. Only handle the power cord by the plug end, never pull out the plug by tugging the wire portion of the cord.
- During the initial operation of this fixture, a light smoke or smell may emit from the interior of the fixture. This is a normal process and is caused by excess paint in the interior of the casing burning off from the heat associated with the lamp and will decrease gradually over time.
- Consistent operational breaks will ensure the fixture will function properly for many years to come.
- Use the original packaging and materials to transport the fixture in for service.

DISCHARGE LAMP WARNING



This fixture is fitted with a DISCHARGE LAMP, which is highly susceptible to damage if improperly handled. NEVER touch the lamp with your bare hands, as the oil from your hands will shorten the life of the lamp. Also, NEVER move the fixture until the lamp has had ample time to cool. Lamps are NOT covered under warranty conditions.

Avoid switching the fixture ON and OFF repeatedly in short intervals, as this will reduce lamp life and intensity. To achieve the intensity associated with discharge lamps, these lamps use gas sealed in a high-pressure environment to emit a brilliant output.

 Due to the high pressure involved with the construction of the lamp, the lamp **MAY EXPLODE DURING PROLONGED EXTENSIVE USE**. This risk is increased with age; added care is encouraged when dealing with older lamps. Thus, the lamp must always be replaced at the end of their recommended duty cycle. Extreme caution should be used when operating this or any fixture fitted with a gas discharge lamp.



U V R A D I A T I O N N O T I C E

This fixture emits intense UV radiation, which is harmful to the eyes and skin. The intense luminance of the lamp can cause severe damage to the retina. NEVER operate this fixture with ANY of the protective covers removed. These covers have been specially designed to shield against UV radiation.

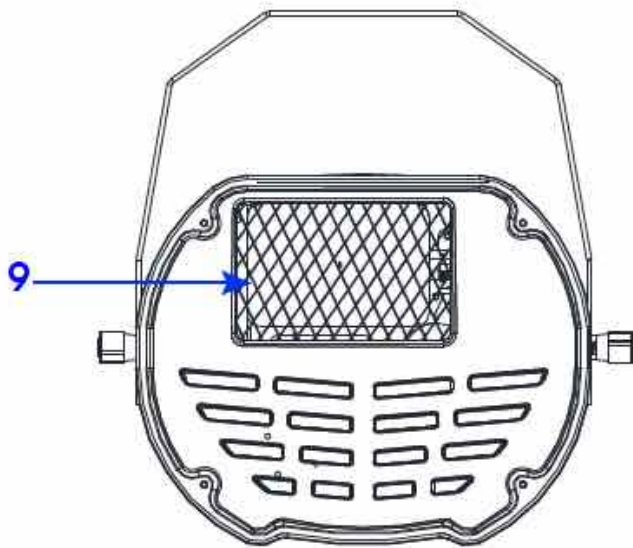
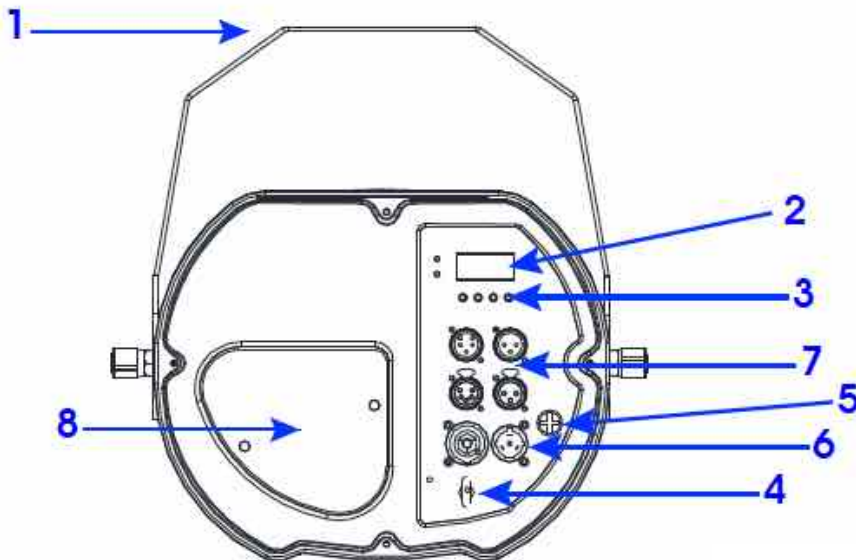


L A M P R E P L A C E M E N T

Please note that due to the nature of the Phillips™ Platinum 14R Lamp and the optical path of the Elation SNIPER PRO™ fixture, the lamp **MUST BE** replaced at 2,000 hours.

Use only Genuine Original Phillips™ platinum lamps. Other brand lamps may cause damage and void warranty!

FIXTURE OVERVIEW



1. Adjustable Mounting Yoke
2. LCD Menu Function Display
3. MENU, DOWN, UP, ENTER Buttons
4. Safety Cable Attachment Hook
5. Fuse
6. powerCON TRUE 1 IN/OUT
7. 3/5pin DMX IN/OUT
8. Lamp Cover Plate
9. Lens

LAMP INSTALLATION INSTRUCTIONS



LAMP REPLACEMENT

Please note that due to the nature of the Phillips™ Platinum 14R Lamp and the optical path of the Elation SNIPER PRO fixture, the lamp **MUST BE** replaced at 2,000 hours.

Use only Genuine Original Phillips™ Platinum 14R Lamps. Other brand lamps may cause damage and void warranty!

INSTALLING OR REPLACING THE LAMP

To ensure a proper/safe lamp change, carefully read all the following instructions.

LAMP SAFETY INSTRUCTIONS

- **ALWAYS** replace lamp after 2,000 Hours.
- Use only Genuine Original Phillips™ Platinum 14R lamps. Other brand lamps may cause damage and void the warranty!
- **NEVER** touch the lamp with your bare hands, as the oil from your hands will shorten the life of the lamp.
- Always disconnect the fixture's main power supply before replacing lamp.
- Allow fixture to cool for at least 15 minutes before attempting any type of service.
- Make sure **ALL** covers/panels are replaced/secured before operating the fixture to prevent any risk and/o damage to eye retina from UV Radiation exposure!

LAMP INSTALLATION PROCEDURE

1. Remove **(2)** screws on the lamp cover plate as indicated below.

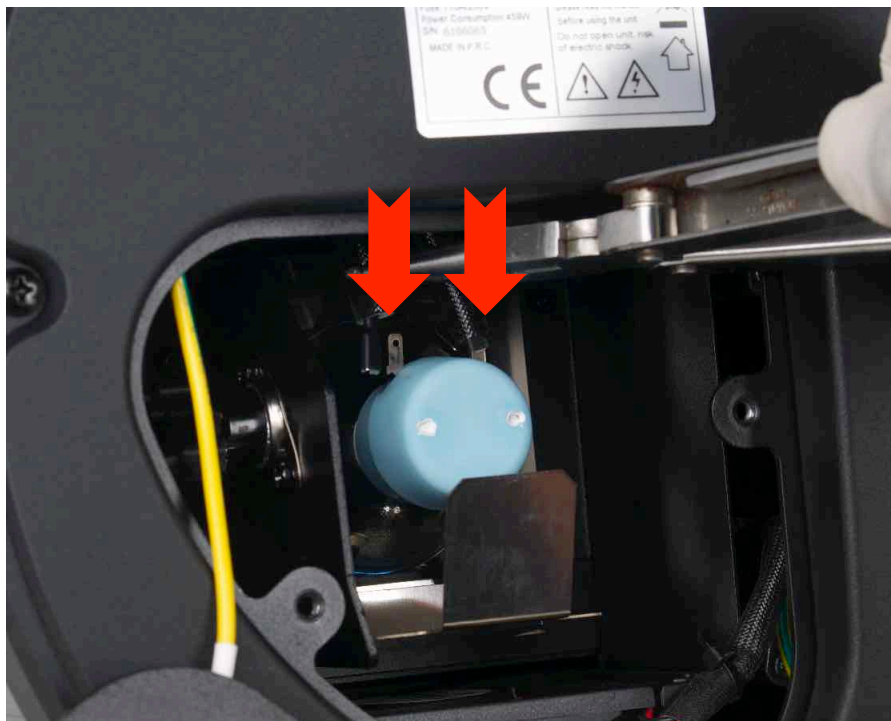


LAMP INSTALLATION PROCEDURE - continued

- Remove the lamp cover plate to access the lamp.



- Gently remove **(2) Wires** connected to spade terminals on base of lamp.



LAMP INSTALLATION PROCEDURE - continued

4. Gently push the base of the lamp **DOWN** to release.



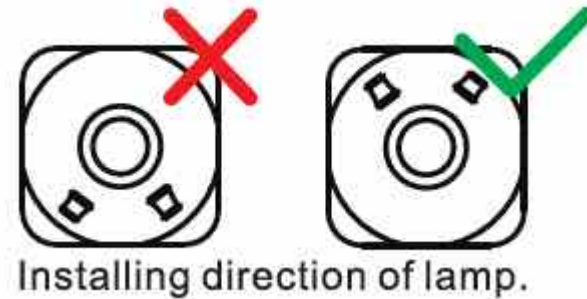
5. Once lamp is released, grab the lamp base with your thumb and index finger and gently pull the lamp **OUT** towards and **AWAY** from the fixture.



LAMP INSTALLATION PROCEDURE - continued



- Using a clean cloth or gloves, gently install the new lamp into the fixture using your thumb and index finger, making sure the spade terminals on the base of the lamp are facing straight **UP**.

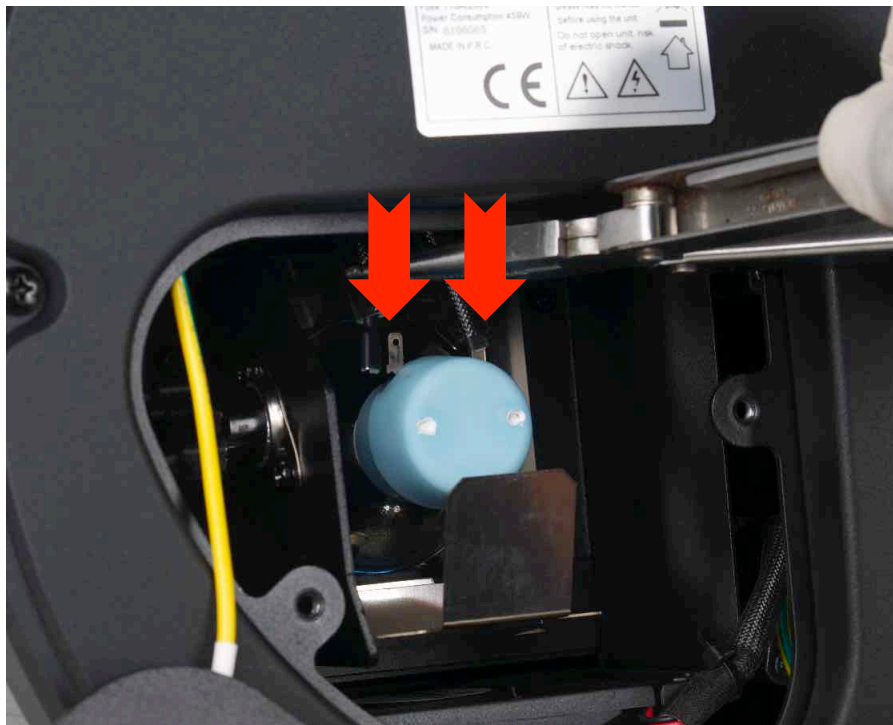


LAMP INSTALLATION PROCEDURE - continued

7. Seat the bottom edge of the lamp first; push the base of the lamp **DOWN** until the lamp locks into place, making sure lamp is properly seated into place.



8. Gently attach the **(2) Wires** to spade terminals securely on the base of the lamp.



LAMP INSTALLATION PROCEDURE - continued

9. Replace the lamp cover plate back into place and secure the **(2)** screws.



10. Power fixture **ON** and make sure the lamp strikes **ON**.

LAMP HOURS RESET PROCEDURE

1. Access the main menu by pressing the **MENU** button and then pressing the **UP** or **DOWN** buttons until "**LAMP TIME**" is displayed.
2. Press the **ENTER** button and then press the **UP** or **DOWN** to until "**Clean**" is displayed.
3. Press the **ENTER** button to clear the lamp timer.
4. Press the **MENU** button to exit and return to the home screen.

LAMP OPTIMIZATION

Unlike traditional discharge lamps the **Phillips™ Platinum 14R Lamp** does **NOT** require optimization. The lamp orientation and optimization procedure has been preset during the manufacturing process of the lamp. Please remember the **Phillips™ Platinum 14R Lamp** is **NOT** a hot-restrike lamp therefore, therefore you must wait approximately **15 minutes** before you can attempt to restrike the lamp once it has been turned off.

FIXTURE INSTALLATION



FLAMMABLE MATERIAL WARNING

Keep fixture at least 5.0 ft. (1.5m) away from any flammable materials, decorations, pyrotechnics, etc.



ELECTRICAL CONNECTIONS

A qualified electrician should be used for all electrical connections and/or installations.

CAUTIONS

- For added protection, mount the fixture in areas outside walking paths, seating areas, or in areas where unauthorized personnel might reach the fixture.
- Max ambient operating temperature for this fixture is **185°F. (85°C)**
Do not use the fixture under or above this temperature.
- Before mounting the fixture to any surface, make sure the installation area can hold a minimum point load of 10 times the weight of the fixture.
- Fixture installation must always be secured with a secondary safety attachment, such as an appropriate safety cable.
- Never stand directly below the device when mounting, removing or servicing.

POWER LINKING

Max number of units that can be power linked is **3 units @120V / 7 units @230V**.



W A R N I N G

MINIMUM distance to lighted objects must be 16.5 feet (5m)

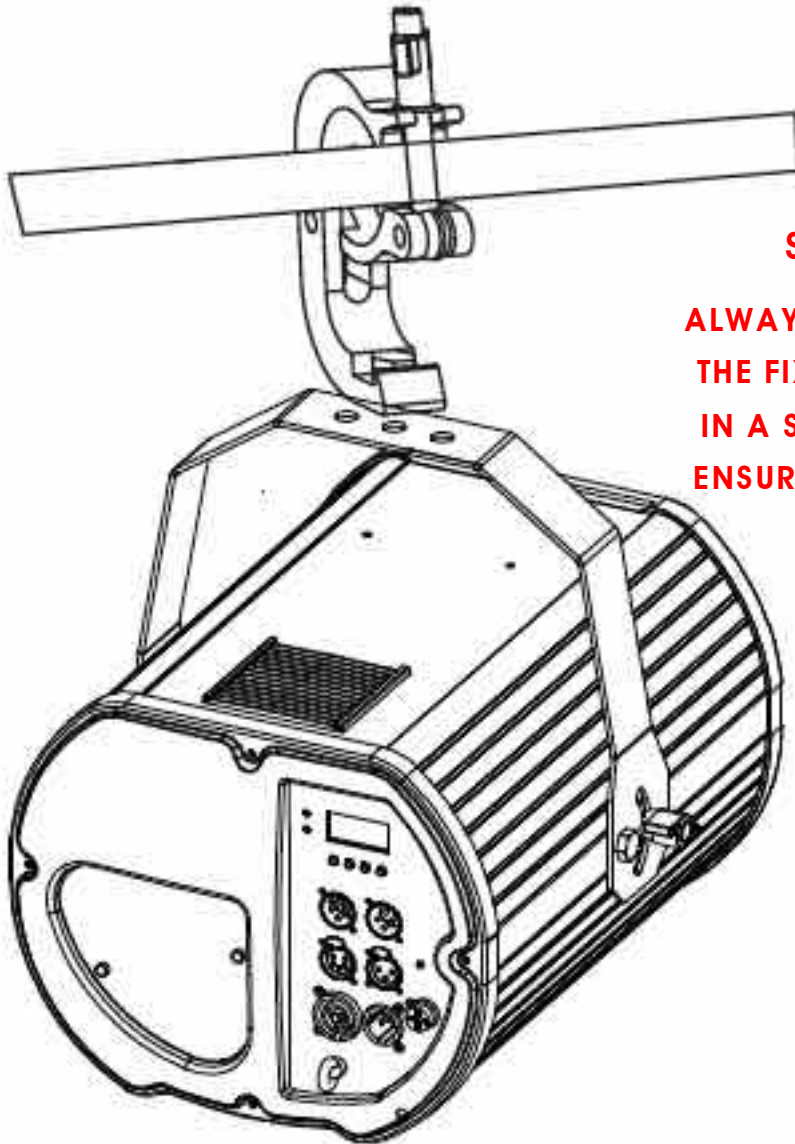
MAXIMUM temperature of external surface 185° F (85° C)

MINIMUM distance of inflammable materials from surface 1.6 feet (0.5m)

Keep fixture at least 5.0 feet (1.5m) away from any flammable materials, decorations, pyrotechnics, etc.

TRUSS RIGGING

Fixture can be attached to truss or like rigging structures. Overhead mounting requires extensive experience, including amongst others calculating working load limits, installation material being used, and periodic safety inspection of all installation material and the device. If you lack these qualifications, do not attempt the installation yourself. Improper installation can result in bodily injury.



SAFETY CABLE

ALWAYS ATTACH A SAFETY CABLE TO THE FIXTURE WHENEVER INSTALLING IN A SUSPENDED ENVIRONMENT TO ENSURE THE FIXTURE WILL NOT DROP IF CLAMP FAILS.

CLAMP MOUNTING

The fixture includes an adjustable mounting yoke that attaches to both sides of the fixture. When mounting this fixture to truss or like rigging structures, be sure to secure an appropriately rated pro clamp to the mounting yoke using a M10 screw fitted through the center hole of the mounting yoke. Be sure to attach a **Safety Cable** to the fixture using the safety cable rigging point on the back panel.

SECURING

Regardless of the rigging option you choose for your fixture always be sure to secure your fixture with a **Safety Cable**. The fixture provides a built-in rigging point for a **Safety Cable** on the back of the fixture as illustrated below. Be sure to only use the designated rigging point for the **Safety Cable**.



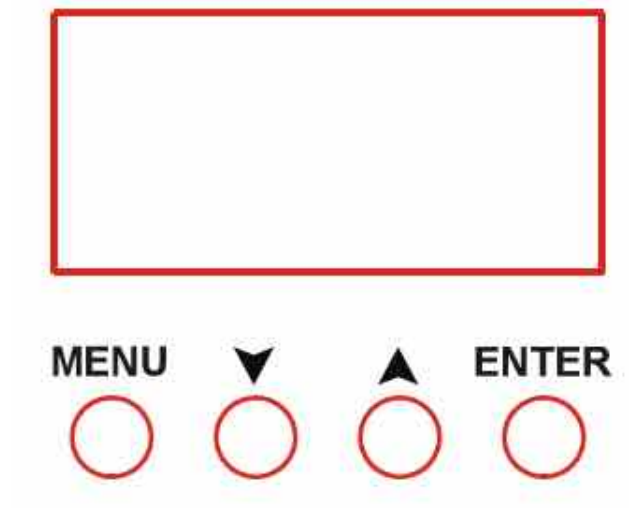
FIXTURE MENU

ON-BOARD SYSTEM MENU

The fixture comes with an easy to navigate system menu. The next section will detail the functions of each command in the system menu.

LCD MENU CONTROL PANEL

The control panel (see image below) located on back of the fixture allows you to access the main menu and make all necessary adjustments to the fixture. During normal operation, pressing the **MENU** button for 5 seconds will unlock the display. Once the display is unlocked, pressing the **MENU** button once will access the fixture's main system menu. Once in the main menu you can navigate through the different functions and access the sub-menus with the **UP** and **DOWN** buttons. Once you reach a field that requires adjusting, press the **ENTER** button to activate that field and use the **UP** and **DOWN** buttons to adjust the field. Pressing the **ENTER** button once more will confirm your setting. You may exit the main menu at any time without making any adjustments by pressing and holding the **MENU** button for 3 seconds.



INFORMATION DISPLAYED DURING INITIAL POWER ON

When the fixture is initially powered ON, the display shows the following information:



ELATION© SNIPER PRO™
MAIN MENU

Supports Software Versions ≥: A: 1.0 Ab:1.1 | B: 1.0 Bb:1.1 | C:1.0 Cb:1.1 | D: 1.0 Db:1.1

Features are subject to change without any prior written notice.

*Rotation direction (Clockwise or Counterclockwise) of effects depends on orientation of the fixture head and Pan/Tilt Invert setting.

MENU	OPTIONS / VALUES (Default Settings in BOLD)	DESCRIPTION
DMX Address	001-255	Set DMX Address
Channel Mode	27chan , 25chan	Set DMX Channel Mode
DMX Last State	Blackout, LastStat	Set How Fixture Reacts to Loss of DMX Signal or Power
Back Light	Off, On	Turn LCD Display Back Light On/Off
Pan Invert	Normal , Invert	Invert (flip) PAN Control 180°
Tilt Invert	Normal , Invert	Invert (flip) TILT Control 180°
Auto Test		Run Self-Test Using Internal Programs
Lamp On/Off	On , Off	Turn Lamp On/Off
Lamp Power On	On , Off	Set Lamp State While Power is On
Lamp Delay	10s (0s - 255s)	Set Delay Time Between Power On and Lamp On
Lamp Time	xxx	Displays Total Lamp Usage Time
Fixture Time	xxx	Displays Total Fixture Run Time
Firmware Version ≥	A: 1.0 B: 1.0 C: 1.0 D:1.0 Ab:1.0 Bb:1.0 Cb:1.0 Db:1.1	Displays Software Version of Fixture
Defaults	No , Yes	Return All Settings Back to Factory Default
Reset Function	All , Pan/Tilt, Effect	Select which Motors to Reset.

OFFSET ADJUSTMENTS – Calibration



ONLY QUALIFIED TECHNICIANS SHOULD PERFORM THESE FUNCTIONS.

This function allows small adjustments to be made to the home positions of the motors, drive, wheels, and effects, to compensate for wear and/or in the event a sensor has been knocked slightly out of place.

To access the **OFFSET ADJUSTMENTS MENU** press and release the **MENU** button and immediately press and hold the **ENTER** button for at least 5 seconds. The fixture will now be in the **OFFSET ADJUSTMENTS MENU** where you can make adjustments to the functions listed below.

To exit the **OFFSET ADJUSTMENTS MENU** press and hold the **MENU** button for at least 3 seconds, until the display shows **ELATION SNIPER**.



SHUTTER AND BEAM POSITION AFTER EXITING OFFSET ADJUSTMENTS MENU

The **SHUTTER** and **BEAM POSITION** after exiting the **OFFSET ADJUSTMENT MENU** will depend on the **DMX STATE** setting (“Blackout” or “Last State”) and/or if the fixture is receiving a DMX signal.

ELATION© SNIPER PRO™ OFFSET ADJUST MENU		
Supports Software Versions ≥: A: 1.0 Ab:1.1 B: 1.0 Bb:1.1 C:1.0 Cb:1.1 D: 1.0 Db:1.1		
Features are subject to change without any prior written notice. <i>*Rotation direction (Clockwise or Counterclockwise) of effects depends on orientation of the fixture head and Pan/Tilt Invert settings.</i>		
MENU	OPTIONS / VALUES (Default Settings in BOLD)	DESCRIPTION
Pan Offset	(0) - (255)	Adjustment The PAN Home Position
Tilt Offset	(0) - (255)	Adjustment The TILT Home Position
Eccentri Offset	(-127) - (127)	Adjustment of the Eccentric Drive
Color Offset	(-127) - (127)	Adjustment of the Color Wheel
Gobo Offset	(-127) - (127)	Adjustment of the Gobo Wheel
Shutter Offset	(0) - (255)	Adjustment of the Shutter
Cyan Offset	(-127) - (127)	Adjustment of Cyan
Magenta Offset	(-127) - (127)	Adjustment of Magenta
Yellow Offset	(-127) - (127)	Adjustment of Yellow
Focus	(0) - (255)	Adjustment Focus
Rprism Offset	(-127) - (127)	Adjustment of the Prism Rotation
Prism Offset	(-127) - (127)	Adjustment of the Prism

DMX CHANNEL FUNCTIONS AND VALUES

ELATION© SNIPER PRO™

DMX Channel Values / Functions (27 DMX Channels)

Supports Software Versions ≥ : A: 1.0 Ab:1.1 | B: 1.0 Bb:1.1 | C:1.0 Cb:1.1 | D: 1.0 Db:1.1

Features are subject to change without any prior written notice.

*Rotation direction (Clockwise or Counterclockwise) of effects depends on orientation of the fixture head and Pan/Tilt Invert settings.

MODE / CHANNEL		VALUE	FUNCTION
25CH	27CH		
1	1		PAN
		0-255	PAN Movement
	2		PAN FINE [16 BIT]
		0-255	PAN Movement FINE [16bit]
2	3		TILT
		0-255	TILT Movement
	4		TILT FINE [16 BIT]
		0-255	TILT Movement FINE [16bit]
3	5		PAN SHAKING
		0-255	PAN Shaking Movement SLOW to FAST
4	6		PAN SCOPE
		0-255	PAN Scope MAX to MIN
5	7		TILT SHAKING
		0-255	TILT Shaking Movement SLOW to FAST
6	8		TILT SCOPE
		0-255	TILT Scope MAX to MIN
7	9		CYAN
		0-255	CYAN 0 to 100%
8	10		MAGENTA
		0-255	MAGENTA 0 to 100%
9	11		YELLOW
		0-255	YELLOW 0 to 100%

ELATION© SNIPER PRO™
DMX Channel Values / Functions (27 DMX Channels)

Supports Software Versions ≥ : A: 1.0 Ab:1.1 | B: 1.0 Bb:1.1 | C:1.0 Cb:1.1 | D: 1.0 Db:1.1

Features are subject to change without any prior written notice.

*Rotation direction (Clockwise or Counterclockwise) of effects depends on orientation of the fixture head and Pan/Tilt Invert settings.

MODE / CHANNEL		VALUE	FUNCTION
25CH	27CH		
10	12		COLORS
		0-4	Color 1
		5-9	Color 1 / Color 2
		10-14	Color 2
		15-19	Color 2 / Color 3
		20-24	Color 3
		25-29	Color 3 / Color 4
		30-34	Color 4
		35-39	Color 4 / Color 5
		40-44	Color 5
		45-49	Color 5 / Color 6
		50-54	Color 6
		55-59	Color 6 / Color 7
		60-63	Color 7
		64-68	Color 7 / Color 8
		69-70	Color 8
		74-78	Color 8 / Color 9
		79-83	Color 9
		84-88	Color 9 / Color 10
		89-93	Color 10
		94-98	Color 10 / Color 11
		99-103	Color 11
		104-108	Color 11 / Color 12
		109-113	Color 12
		114-118	Color 12 / Color 13
		119-123	Color 13
		124-127	ANIMATION EFFECT
128-133	ANIMATION Shake from SLOW to FAST		
134-192	*Clockwise Color Wheel Rotation from FAST to SLOW		
193-196	STOP		
197-255	*Counterclockwise Color Wheel Rotation from SLOW to FAST		

ELATION© SNIPER PRO™			
DMX Channel Values / Functions (27 DMX Channels)			
Supports Software Versions ≥ : A: 1.0 Ab:1.1 B: 1.0 Bb:1.1 C:1.0 Cb:1.1 D: 1.0 Db:1.1			
Features are subject to change without any prior written notice.			
*Rotation direction (Clockwise or Counterclockwise) of effects depends on orientation of the fixture head and Pan/Tilt Invert settings.			
MODE / CHANNEL		VALUE	FUNCTION
25CH	27CH		
11	13		GOBOS
		0-6	OPEN
		7-13	Gobo 1
		14-21	Gobo 2
		22-26	Gobo 3
		27-33	Gobo 4
		34-40	Gobo 5
		41-46	Gobo 6
		47-53	Gobo 7
		54-60	Gobo 8
		61-66	Gobo 9
		67-73	Gobo 10
		74-80	Gobo 11
		81-87	Gobo 12
		88-93	Gobo 13
		94-100	Gobo 14
		101-107	Gobo 15
		108-113	Gobo 16
		114-120	Gobo 17
		121-127	Gobo 18
128-133	Gobo 19		
134-192	Gobo 20		
193-196	*Clockwise Gobo Wheel Rotation From FAST to SLOW		
197-255	*Counterclockwise Gobo Wheel Rotation From SLOW to FAST		
12	14		SHUTTER, STROBE
		0-7	BLACKOUT
		8-15	OPEN
		16-131	STROBE SLOW to FAST
		132-139	OPEN
		140-181	FAST OPEN to SLOW CLOSE
		182-189	OPEN
		190-231	FAST CLOSE to SLOW OPEN
		232-239	OPEN
		240-247	RANDOM STROBE
248-255	OPEN		
13	15		DIMMER INTENSITY
		0-255	Dimmer Intensity 0 to 100%
14	16		FOCUS
		0-255	FOCUS 0 to 100%

ELATION© SNIPER PRO™			
DMX Channel Values / Functions (27 DMX Channels)			
Supports Software Versions ≥ : A: 1.0 Ab:1.1 B: 1.0 Bb:1.1 C:1.0 Cb:1.1 D: 1.0 Db:1.1			
Features are subject to change without any prior written notice.			
*Rotation direction (Clockwise or Counterclockwise) of effects depends on orientation of the fixture head and Pan/Tilt Invert settings.			
MODE / CHANNEL		VALUE	FUNCTION
25CH	27CH		
15	17		PATTERN MACROS
		0-8	OFF
		9-16	Pattern Macro 1
		17-25	Pattern Macro 2
		26-33	Pattern Macro 3
		34-42	Pattern Macro 4
		43-50	Pattern Macro 5
		51-59	Pattern Macro 6
		60-67	Pattern Macro 7
		68-76	Pattern Macro 8
		77-84	Pattern Macro 9
		85-93	Pattern Macro 10
		94-101	Pattern Macro 11
		102-110	Pattern Macro 12
		111-118	Pattern Macro 13
		119-127	Pattern Macro 14
		128-135	Pattern Macro 15
		136-144	Pattern Macro 16
		145-152	Pattern Macro 17
		153-161	Pattern Macro 18
		162-169	Pattern Macro 19
		170-178	Pattern Macro 20
		179-186	Pattern Macro 21
		187-195	Pattern Macro 22
		196-203	Pattern Macro 23
		204-212	Pattern Macro 24
		213-220	Pattern Macro 25
		221-229	Pattern Macro 26
		230-237	Pattern Macro 27
238-246	Pattern Macro 28		
247-255	Pattern Macro 29		

ELATION© SNIPER PRO™			
DMX Channel Values / Functions (27 DMX Channels)			
Supports Software Versions ≥ : A: 1.0 Ab:1.1 B: 1.0 Bb:1.1 C:1.0 Cb:1.1 D: 1.0 Db:1.1			
Features are subject to change without any prior written notice.			
*Rotation direction (Clockwise or Counterclockwise) of effects depends on orientation of the fixture head and Pan/Tilt Invert settings.			
MODE / CHANNEL		VALUE	FUNCTION
25CH	27CH		
16	18		PATTERN ROTATION - *CLOCKWISE / *COUNTERCLOCKWISE
		0-9	STOP
		10-120	*Clockwise Pattern Rotation from FAST to SLOW
		121-134	STOP
		135-245	*Counterclockwise Pattern Rotation from SLOW to FAST
		246-255	STOP
17	19		PATTERN ROTATION - *HORIZONTAL / *VERTICAL
		0-9	STOP
		10-120	*Horizontal Pattern Rotation from FAST to SLOW
		121-134	STOP
		135-245	*Vertical Pattern Rotation from SLOW to FAST
		246-255	STOP
18	20		PATTERN ZOOM
		0-127	Pattern ZOOM Manual
		128-255	Pattern ZOOM SLOW to FAST
19	21		PATTERN PAN TRANSPORTATION
		0-7	CENTER
		8-255	RIGHT to LEFT
20	22		PATTERN TILT TRANSPORTATION
		0-7	CENTER
		8-255	DOWN to UP
21	23		PATTERN ROTATION
		0-63	0°
		64-127	90°
		128-191	180°
		192-255	270°
22	24		PATTERN SCAN
		0-63	0° - 360° INDEXING
		64-127	Shaking
		128-189	*Clockwise Rotation FAST to SLOW
		190-193	STOP
		194-255	*Counterclockwise Rotation SLOW to FAST
23	25		PRISM
		0-63	STOP
		64-127	8-FACET PRISM
		128-191	3-FACET
		192-255	LINEAR PRISM
24	26		PRISM ROTATION
		0-127	PRISM Indexing
		128-189	*Clockwise PRISM Rotation FAST to SLOW
		190-193	STOP
		194-255	*Counterclockwise PRISM Rotation SLOW to FAST

ELATION© SNIPER PRO™
DMX Channel Values / Functions (27 DMX Channels)

Supports Software Versions ≥ : A: 1.0 Ab:1.1 | B: 1.0 Bb:1.1 | C:1.0 Cb:1.1 | D: 1.0 Db:1.1

Features are subject to change without any prior written notice.

*Rotation direction (Clockwise or Counterclockwise) of effects depends on orientation of the fixture head and Pan/Tilt Invert settings.

MODE / CHANNEL		VALUE	FUNCTION
25CH	27CH		
25	27		FUNCTIONS
		0-39	NO FUNCTION
		40-59	LAMP ON
		60-79	LAMP OFF
		80-84	ALL MOTORS Reset
		85-87	PAN / TILT Motors Reset
		88-90	COLOR Motor Reset
		91-93	GOBO Motor Reset
		94-96	SHUTTER & DIMMER Motors Reset
		97-99	OTHER Motors Reset
		100-109	ENABLE BLACKOUT WHILE PAN/TILT MOVEMENT
		110-119	ENABLE BLACKOUT WHILE COLOR CHANGE
		120-129	ENABLE BLACKOUT WHILE GOBO CHANGE
		130-255	NO FUNCTION

CLEANING AND MAINTENANCE



C A U T I O N

Disconnect power before cleaning or maintenance.

CLEANING

Frequent cleaning is recommended to insure proper function, optimized light output, and an extended life. The frequency of cleaning depends on the environment in which the fixture operates: damp, smoky or particularly dirty environments can cause greater accumulation of dirt on the fixture's optics.

- Clean the external lens surface at least every 20 days with a soft cloth to avoid dirt/debris accumulation.
- Never use alcohol, solvents, or ammonia based cleaners.

MAINTENANCE

Regular inspections are recommended to insure proper function and extended life. There are no user serviceable parts inside this fixture, please refer all other service issues to an authorized Elation service technician. Should you need any spare parts, please order genuine parts from your local Elation dealer.

Please refer to the following points during routine inspections:

- A detailed electric check by an approved electrical engineer every three months, to make sure the circuit contacts are in good condition and prevent overheating.
- Be sure all screws and fasteners are securely tightened at all times. Loose screws may fall out during normal operation resulting in damage or injury as larger parts could fall.
- Check for any deformations on the housing, color lenses, rigging hardware and rigging points (ceiling, suspension, trussing). Deformations in the housing could allow for dust to enter into the fixture. Damaged rigging points or unsecured rigging could cause the fixture to fall and seriously injure a person(s).
- Electric power supply cables must not show any damage, material fatigue or sediments. Never remove the ground prong from the power cable.

TECHNICAL SPECIFICATIONS

SOURCE

Philips MSD Platinum 14R™ 280W Lamp

2,000 Hour Average Lamp Life*

*LED Life may vary depending on several factors including but not limited to:

Environmental Conditions, Power/Voltage, Usage Patterns (On-Off Cycling), Control and Dimming.

EFFECTS

Bidirectional Animation

3-Facet, 8-Facet, and Linear Rotating Prisms

Liquid Sky, Laser Wave, and Cone Effects

Pattern and Control Macros

COLOR

(12) Dichroic Colors + White and Split Colors

GOBOS

(20) Static-Stamped Gobos

CONTROL / CONNECTIONS

(2) DMX Channel Modes (25 / 27)

4 Button Control Panel

3/5pin DMX In/Out

powerCON TRUE 1 In/Out

SIZE / WEIGHT

Length: 16.1" (408mm)

Width: 13.9" (353mm)

Vertical Height: 13.8" (351mm)

Weight: 33.0 lbs. (15.0kg)

ELECTRICAL / THERMAL

AC 100-240V - 50/60Hz

460W Max Power Consumption

Multiple Unit Power Linking (max 3 @120V / 7 @230V)

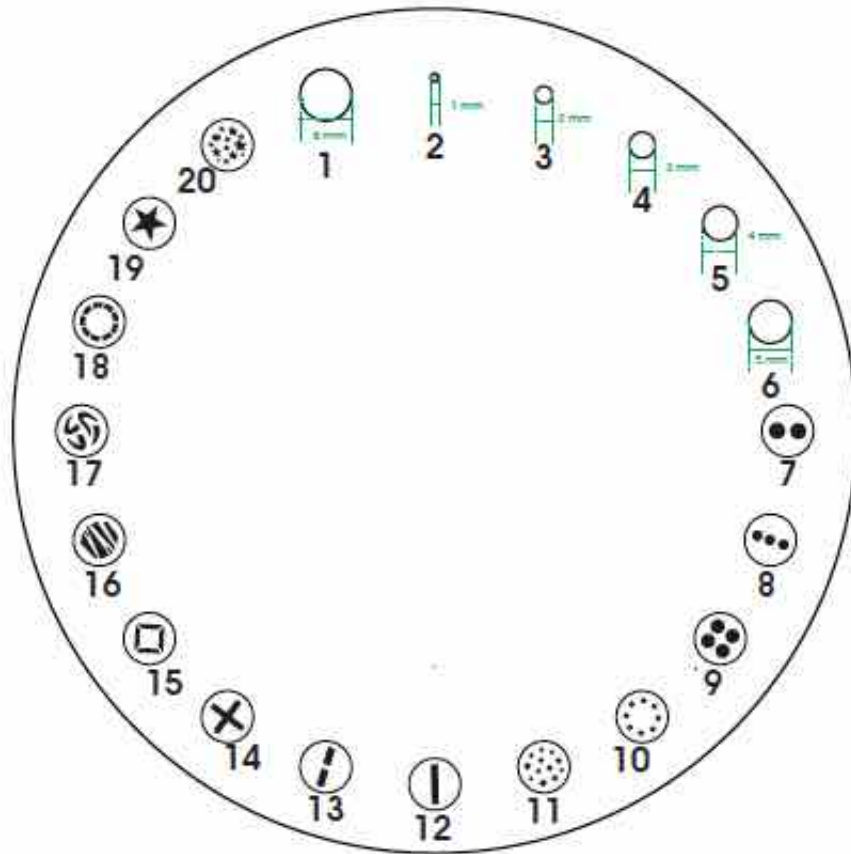
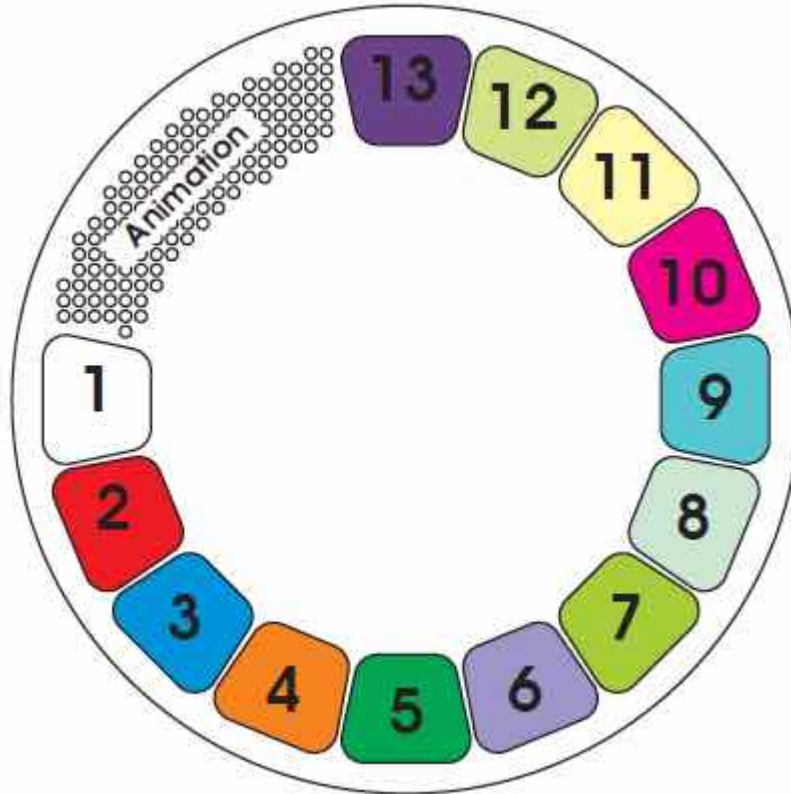
104°F (40°C) Max Ambient Temperature

APPROVALS / RATINGS

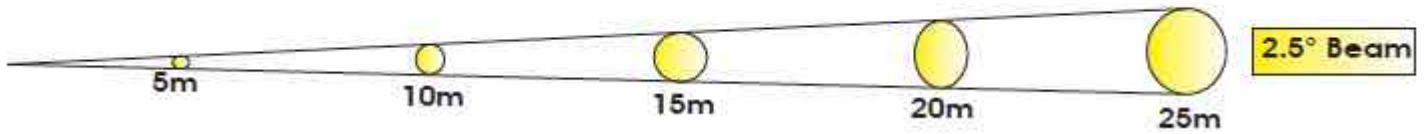
CE | IP20

Please Note: Specifications and improvements in the design of this unit and this manual are subject to change without any prior written notice.

COLORS AND GOBOS



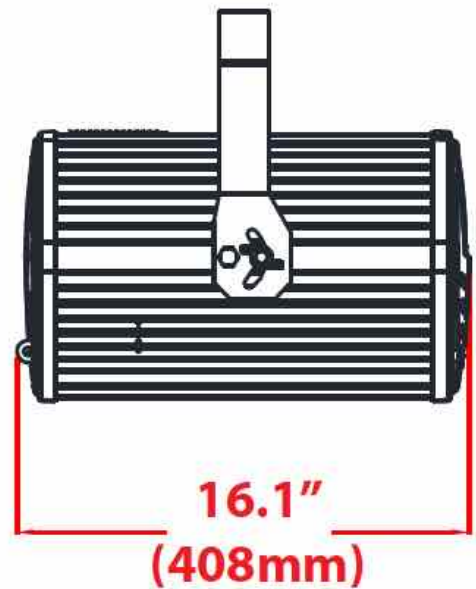
PHOTOMETRIC DATA



Distance	5m	16.4 ft	10m	32.8 ft	15m	49.2 ft	20m	65.6 ft	25m	82.0 ft
2.5° Beam Diameter	0.25	0.8	0.49	1.6	0.74	2.4	1.02	3.3	1.26	4.1
FULL ON	lux	fc	lux	fc	lux	fc	lux	fc	lux	fc
	84,330	7,834	23,200	2,155	10,270	954	5,800	539	3,700	344

Please Note: Specifications and improvements in the design of this unit and this manual are subject to change without any prior written notice.

DIMENSIONAL DRAWINGS



Please Note: Specifications and improvements in the design of this unit and this manual are subject to change without any prior written notice.

OPTIONAL ACCESSORIES

ORDER CODE	ITEM
TRIGGER CLAMP	Heavy Duty Wrap Around Hook Style Clamp
SCABLE60	24" (610mm) 60 lbs. (27 kg) Rated Safety Cable
AC3PDMX5PRO	5 ft. (1.5m) 3pin PRO DMX Cable
AC5PDMX5PRO	5 ft. (1.5m) 5pin PRO DMX Cable
NEU088	3 ft. (1m) powerCON TRUE1 Power Link Cable
	Additional Cable Lengths Available

