



## PLATINUM BX™

SKU# EPB596

The new Platinum BX™ is a powerful beam luminaire featuring the new Phillips™ MSD Platinum 17 RA 350W, 6,900K, 85CRI lamp, 15,000 total lumens, delivering extreme output and speed, 3° beam, 10 dichroic colors including UV, CTO, CTB, plus white, 8 rotating interchangeable indexing and 13 static-stamped indexing gobos, rotating 8-facet prism, frost filter, 5pin DMX, powerCON, and RJ45 ethernet (Art-NET) in/out connections, (6) button control full color 180° reversible menu display, 575W max power consumption, and a multi-voltage universal auto switching power supply (100-240v).

### FEATURES

**Powerful 3° Beam Extreme Output and Speed Luminaire**

**New Phillips™ MSD Platinum 17 RA 350W Lamp**

**15,000 Total Lumens, 6,900K, 85CRI, 1,500 Hours**

**10 Dichroic Colors Including UV, CTO, CTB, + White**

**8 Interchangeable Rotating and 13 Static-Stamped Gobos**

**Rotating 8-Facet Prism + Frost Filter**

**RDM and Art-NET (DMX Over Ethernet) Support**



Specifications are subject to change without notice ©Elation Professional

Elation Professional USA | 6122 S. Eastern Ave. | Los Angeles, CA. 90040  
323-582-3322 | 323-832-9142 fax | www.elationlighting.com | info@elationlighting.com

Elation Professional B.V. | Junostraat 2 | 6468 EW Kerkrade, Netherlands  
+31 45 546 85 66 | +31 45 546 85 96 fax | www.elationlighting.eu | info@elationlighting.eu

**PRODUCT SPECIFICATIONS**

**FEATURES**

Powerful 3° Beam  
 Extreme Output and Speed  
 CTO & CTB Color Correction  
 8-Facet Rotating Prism  
 Art-NET (DMX Over Ethernet) Support

**SOURCE**

Phillips™ MSD Platinum 17 RA 350W Lamp  
 1,500 Hour Average Lamp Life

**PHOTOMETRIC DATA**

15,000 Total Lumens, 6,900K, 85CRI  
 219,400 LUX 20,382 FC @49.2' (15m) (3° Full ON)  
 129,400 LUX 12,021 FC @65.6' (20m) (3° Full ON)  
 84,680 LUX 7,867 FC @82' (25m) (3° Full ON)

**EFFECTS**

8-Facet Rotating Prism and 16 Prism Macros  
 Frost Filter  
 Strobe: 1-18fps  
 Dimming: 0% - 100%

**COLOR**

10 Dichroic Colors Including UV, CTB, CTO, + White

**GOBOS**

(2) Gobo Wheels  
 (8) Interchangeable / Rotating / Indexing Gobos  
 (13) Static-Stamped / Indexing Gobos

**CONTROL / CONNECTIONS**

(3) DMX Channel Modes (14 / 16 / 22)  
 RDM (Remote Device Management)  
 6 Button Touch Control Panel  
 Full Color 180° Reversible LCD Menu Display  
 8 / 16 Bit Resolution Adjustable Movement  
 5pin DMX In/Out  
 RJ45 Ethernet In/Out (Art-NET)  
 powerCON Power In/Out

**SIZE / WEIGHT**

Length: 14.97" (380.2mm)  
 Width: 14.58" (370.3mm)  
 Vertical Height: 23.13" (587.5mm)  
 Weight: 60.0 lbs. (27 kg)

**ELECTRICAL / THERMAL**

AC 100-240V - 50/60Hz  
 575W Max Power Consumption  
 14°F to 113°F (-10°C to 45°C)

**APPROVALS / RATINGS**

CE | cETLus | IP20

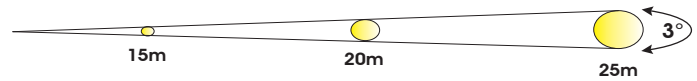
**INSTALLATION**

Rigging: Clamps (Not Included)  
 Working Position: Flat Surface / Inverted (180°)

**INCLUDED ITEMS**

(2) Omega Brackets  
 (1) 5pin DMX Cable  
 (1) Safety Cable  
 (1) powerCON Cable

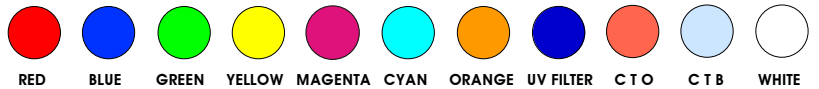
**PHOTOMETRIC DATA**



Distance	15m	49.2 ft	20m	65.6 ft	25m	82 ft
3° Diameter	0.64	2.1	0.85	2.8	1.06	3.5
Photometrics	lux	fc	lux	fc	lux	fc
	3° FULL ON	219,400	20,382	129,400	12,021	84,680

**COLORS AND GOBOS**

**COLORS**



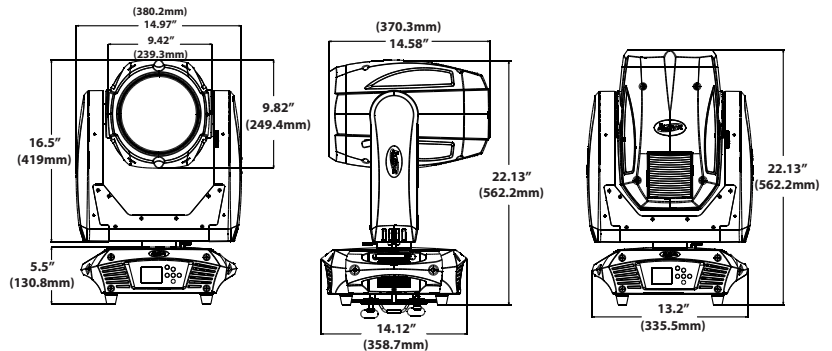
**ROTATING - INTERCHANGEABLE GOBOS**



**STATIC - STAMPED GOBOS**



**DIMENSIONAL DIAGRAMS**



**OPTIONAL ACCESSORIES**

ORDER CODE	ITEM
TRIGGER CLAMP	Heavy Duty Wrap Around Hook Style Clamp
** pending **	Road Case For Platinum BX™
EWDMSYSTEM	Wireless DMX System (1 Transmitter, 1 Receiver)
PLC3	3' (1m) PowerCON PRO Link Cable
CAT6PRO5	5' (1.5m) CAT6 EtherCON Cable
AC5PDMX5PRO	5 ft. (1.5m) 5pin PRO DMX Cable
	Additional cable lengths available



Specifications are subject to change without notice ©Elation Professional

Elation Professional USA | 6122 S. Eastern Ave. | Los Angeles, CA. 90040  
 323-582-3322 | 323-832-9142 fax | www.elationlighting.com | info@elationlighting.com

Elation Professional B.V. | Junostraat 2 | 6468 EW Kerkrade, Netherlands  
 +31 45 546 85 66 | +31 45 546 85 96 fax | www.elationlighting.eu | info@elationlighting.eu