



OPTI QA PAR™

SKU# OPT776

The Opti QA Par™ features (18) 5W QUAD RGBA Color LEDs, a 10° beam angle, smooth and variable curve dimming control, variable color and strobe effects, flicker free operation for TV and FILM, 3 and 5pin DMX and powerCON in/out connections, 3 button control LCD panel display, integrated dual rigging yoke / floor stand, included gel frame, linkable power for up to (10) units at 120V, 140W max power consumption, and a multi-voltage universal auto switching power supply (100-240v).

FEATURES

- 18 x 5W Quad Color (RGBA) LEDs**
- 10° Beam Angle**
- Smooth and Variable Curve Dimming Control**
- Variable Color & Strobe Macros**
- Flicker Free Operation for TV and FILM**
- 140W Max Power Consumption**
- Power Link Up To (10) Units at 120V**
- Integrated Dual Rigging Yoke / Floor Stand**
- Gel Frame Included**
- Optional Barndoor Available**



Specifications are subject to change without notice ©Elation Professional

Elation Professional USA | 6122 S. Eastern Ave. | Los Angeles, CA. 90040
323-582-3322 | 323-832-9142 fax | www.elationlighting.com | info@elationlighting.com

Elation Professional B.V. | Junostraat 2 | 6468 EW Kerkrade, Netherlands
+31 45 546 85 66 | +31 45 546 85 96 fax | www.elationlighting.eu | info@elationlighting.eu



PRODUCT SPECIFICATIONS

FEATURES

10° Beam Angle
Smooth and Variable Curve Dimming Control
Gel Frame Included
Flicker Free Operation for TV and FILM

SOURCE

18 x 5W QUAD Color (RGBA) LEDs
50,000 Hour Average Life

PHOTOMETRIC DATA

2065 LUX (192 FC) @9.8 ft. (3m) 10° Full ON

EFFECTS

Variable Color and Strobe Macros
Variable Electronic Dimming Curves

COLOR

RGBA (Red, Green, Blue, Amber)

CONTROL / CONNECTIONS

6 DMX Channel Modes (1 / 3 / 5 / 6 / 8 / 9)
3pin & 5pin DMX In/Out
3 Button Control Panel
LCD Menu Display
powerCON Power In/Out
Power Link Up To (10) Units at 120V

SIZE / WEIGHT

Length: 10.9" (278mm)
Width: 8.7" (221mm)
Vertical Height: 14.1" (358mm)
Weight: 10.6 lbs. (4.8kg)

ELECTRICAL

AC 100-240V - 47/63Hz
135W Max Power Consumption

APPROVALS / RATINGS

CE Approved
cETLus Approved
IP20 Rated

INSTALLATION

Rigging: Dual Yoke / Floor Stand
Working Position: Any (360°)

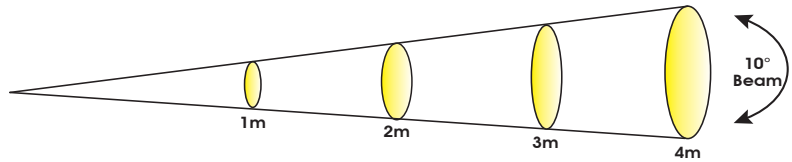
INCLUDED ITEMS

Gel Frame
6 ft (1.8m) powerCON Cable



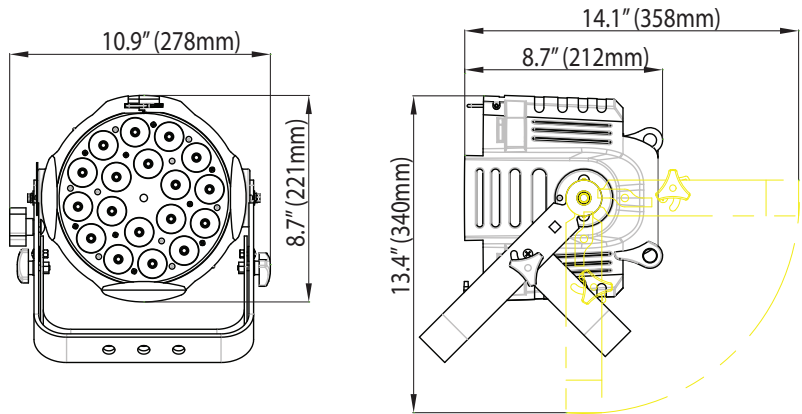
Optional Barndoor SKU# BD-03

PHOTOMETRIC DATA



Distance	m 1	ft 3.3	m 2	ft 6.6	m 3	ft 9.8	m 4	ft 13.1
Photometrics	lux	fc	lux	fc	lux	fc	lux	fc
RED LEDs	5,280	491	1,360	126	582	54	321	30
GREEN LEDs	7,590	705	2,113	196	920	85	515	48
BLUE LEDs	1,782	166	488	45	216	20	123	11
WHITE LEDs	6,640	617	1,763	164	753	70	420	39
ALL FULL ON	17,600	1,635	4,750	441	2,065	192	1,190	111

DIMENSIONAL DIAGRAM



OPTIONAL ACCESSORIES

ORDER CODE	ITEM
TRIGGER CLAMP	Heavy Duty Wrap Around Hook Style Clamp
BD-03	Barn Door
LSF536	Light Shaping Filter 30° 20" x 24" Sheet
LSF537	Light Shaping Filter 20° 20" x 22" Sheet
LSF538	Light Shaping Filter 60° x 1° 20" x 24" Sheet
LSF559	Light Shaping Filter 10° 20" x 24" Sheet
EWDMMXSYSTEM	Wireless DMX System (1 Transmitter, 1 Receiver)
EWDMMXT	Wireless DMX Transmitter
EWDMMXR	Wireless DMX Receiver
PLC3	3' (1m) PowerCON PRO Link Cable
PLC6	6' (1.8m) PowerCON PRO Link Cable
AC3PDMX5PRO	5 ft. (1.5m) 3pin PRO DMX Cable
AC5PDMX5PRO	5 ft. (1.5m) 5pin PRO DMX Cable
	Additional Cable Lengths Available