



PRODUCT FEATURES

- . High power warm white LED exterior PAR
- . 60 x 3 Watt 3,200K LED
- . 9° beam angle, 21° field angle (15° lens)
- . 4 digit LED menu display
- . DMX manual and auto mode via control board
- . Flicker Free operation
- . Rugged die cast aluminum case
- . Split yoke up light bracket
- . IP power link up to 3 pcs
- . IP data link up to 32 pcs
- . Separate logic and LED enclosure
- . IP65 rating
- . Internal heat sink convection cooling

TECHNICAL SPECIFICATIONS

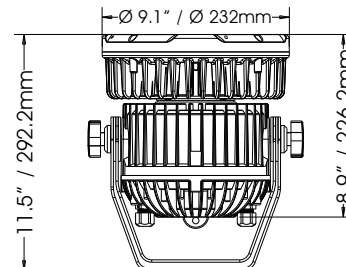
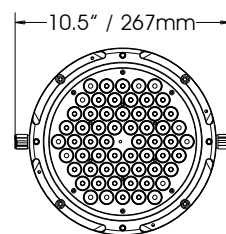
- . **DMX Channels:** 2 DMX channels
- . **Control:** USITT DMX-512, 3pin DMX in-out cable supplied and power input 120v AC ppg connector
- . **Color:** Warm white, Camera ready
- . **Strobe:** 25 flashes per second
- . **Dimmer:** 0- 100% Smooth Dimming via DMX
- . **Cooling:** Convection cooled heat sinks
- . **Cable Plug Type:** IP Power in-out/Data in-out
Cables include Edison 120v plug & 3pin XLR's
- . **LED's Source:** 60 x 3W warm white
- . **Mode #1: (default) Lux:** 13,100 lux / 1,217 fc @ 2.5m
3031 lux / 282 fc @ 5.0m
1261 lux / 113 fc @ 7.5m
- . **Mode #2: (optional) Lux:** 8,234 lux / 765 fc @ 2.5m
2,203 lux / 205 fc @ 5.0m
999 lux / 93 fc @ 7.5m
- . **LED Life:** 100,000 hours based on LED manufactures' test data
- . **Approvals:** cETLus approved

ENVIRONMENTAL SPECIFICATIONS

- . **Max Ambient Temperature:** 113°F/45°C
- . **IP Level:** IP 65

ELECTRICAL SPECIFICATIONS

- . **Ballast:** Electronic Power supply
- . **Power Supply:** 100-240V 50/60Hz
- . **Max Power Consumption:** 136W**
**240W Peak Power.
- . **Dimensions:** (LxWxH) 8.9" x 10.5" x 9"
/ 226x267x232mm
- . **Weight:** 16.5 lbs. (7.5 Kgs)



Product Order Code	Description
EAR565	Black Elar 180 PAR WW
Accessories Order Code	Description
LSF10-24	10° light shaping filter 24" x 24"
LSF20-22	20° light shaping filter 24" x 22"
LSF30-24	30° light shaping filter 24" x 24"
LSF601-24	1° x 60° light shaping filter 24" x 24"
Narrow Clamp	Heavy Duty 2" wrap around clamp
80409030011	Data ext cable 3 meter length
80409030026	Power link cable 3 meter length
80409030054*	DLED 120V Power In 3P IP Cable 1.8M
80409030065*	DLED DMX Out 3P Female XLR/5P Male IP 3M
80409030066*	DLED DMX In 3P Male XLR/5P Female IP 3M
80409030069	Power link cable 10 meter length
80409030070	Data extension cable 10 meter length

*Included with unit



Photometrics

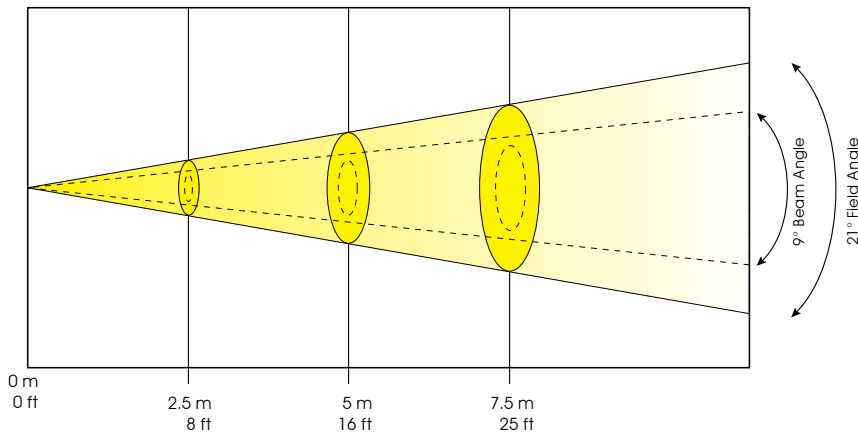
ELAR 180 Par WW

Photometric Beam Angle Data

9° Beam Angle, 21° Field Angle / 15° Lens

LUX x 0.0929 = FC

W (60) 765 FC / 8,234 LUX 205 FC / 2,203 LUX 93 FC / 999 LUX



Beam Diameter

9° Beam Angle	Ø 0.41 m / Ø 1.35 ft	Ø 0.79 m / Ø 2.60 ft	Ø 1.18 m / Ø 3.90 ft
21° Field Angle	Ø 0.94 m / Ø 3.08 ft	Ø 1.86 m / Ø 6.10 ft	Ø 2.84 m / Ø 9.32 ft

DMX Traits

2 Channel Mode:

Channel Value Function

- 1 0 - 255 White (0-100%)
- 2 0 - 255 Strobe (0-100% random, pulse effect in sequences)

