



CUEPIX PAR 300™

SKU# CUE313

The new CUEPIX Par 300™ features (7) long life 30W 3-in-1 RGB COB LEDs, 100,000 average hour LED life, 15° beam angle, individual control of each COB module, variable dimming curve modes, strobe and chase effects, ArtNet™, KlingNet™ and RDM (remote device management) protocol support, 3pin and 5pin DMX, powerCon, and RJ45 in/out connections, LCD menu display with 4 button control panel, integrated rigging bracket, multiple unit power linking, rugged die-cast aluminum exterior, flicker free operation for TV and FILM, and a multi-voltage universal auto switching power supply (110-240v).

FEATURES

- (7) 30W 3-in-1 RGB LEDs**
- 100,000 Average Hour LED Life**
- 15° Beam and 25° Field Angles**
- 5 Variable Dimming Curve Modes**
- Dual Yoke / Floor Stand**
- Multiple Unit Power Linking**
- RDM - Remote Device Management**
- Rugged Die-Cast Aluminum Exterior**
- Flicker Free Operation for TV and FILM**



ELATION | CUEPIX PAR 300™ | Product Specification Sheet

Specifications are subject to change without notice ©Elation Professional 07/15

Elation Professional USA | 6122 S. Eastern Ave. | Los Angeles, CA. 90040
323-582-3322 | 323-832-9142 fax | www.elationlighting.com | info@elationlighting.com

Elation Professional B.V. | Junostraat 2 | 6468 EW Kerkrade, Netherlands
+31 45 546 85 66 | +31 45 546 85 96 fax | www.elationlighting.eu | info@elationlighting.eu

PRODUCT SPECIFICATIONS

SOURCE

(7) 30W 3-in-1 RGB LEDs
100,000 Hour Average LED Life

PHOTOMETRIC DATA

24,200 LUX 2,248 FC @3.3' (1m) (15° Full ON)
7,110 LUX 661 FC @6.6' (2m) (15° Full ON)
3,230 LUX 300 FC @9.8' (3m) (15° Full ON)
1,925 LUX 179 FC @13.1' (4m) (15° Full ON)
1,250 LUX 116 FC @16.5' (5m) (15° Full ON)

EFFECTS

Strobe and Chase Effects
Individual COB Module Control
Variable Dimming Curve Modes

CONTROL / CONNECTIONS

(6) DMX Channel Modes (3 / 4 / 5 / 9 / 21 / 24)
(4) Button Touch Control Panel
ArtNet™ + KlingNet™ Protocol Support
RDM (Remote Device Management)
(2) RJ45 Ports
3pin and 5pin DMX In/Out
powerCON Power In/Out

SIZE / WEIGHT

Length: 14.4" (365mm)
Width: 5.8" (147mm)
Vertical Height: 14.4" (365mm)
Weight: 17.0 lbs. (7.7 kg)

ELECTRICAL / THERMAL

AC 110-250V - 50/60Hz
300W Max Power Consumption
68°F to 113°F (20°C to 45°C)

APPROVALS / RATINGS

CE | IP20

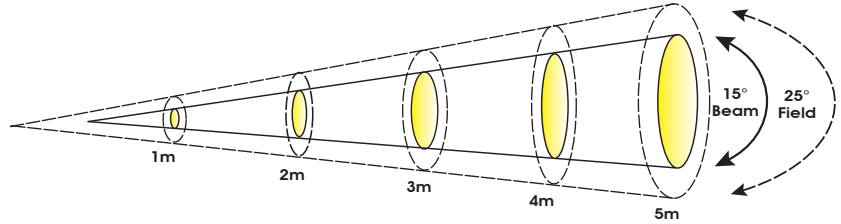
INSTALLATION

Rigging: Integrated Dual Yoke / Floor Stand
Working Position: Any (360°)

INCLUDED ITEMS

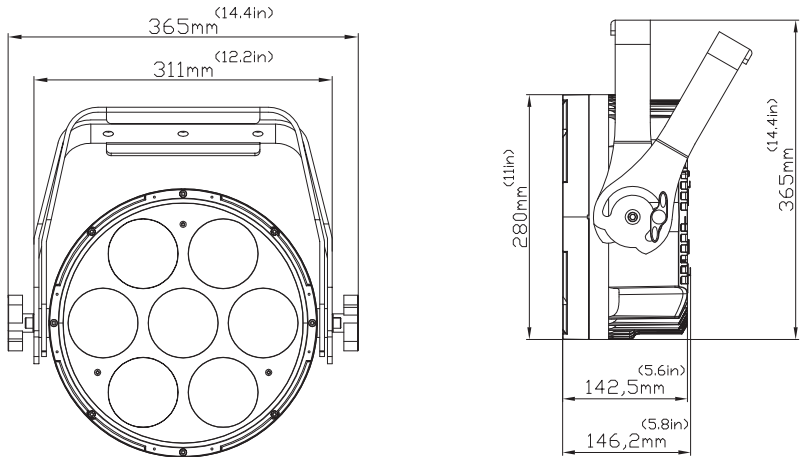
powerCON Cable

PHOTOMETRIC DATA



Distance	1m	3.3 ft	2m	6.6 ft	3m	9.8 ft	4m	13.1 ft	5m	16.4 ft
15° Beam Diameter	0.66	2.2	0.84	2.8	1.18	3.9	1.35	4.4	1.62	5.3
25° Field Diameter	0.75	2.5	1.18	3.9	1.63	5.3	2.07	6.8	2.51	8.2
	lux	fc	lux	fc	lux	fc	lux	fc	lux	fc
RED LEDs	6,458	600	1,860	173	930	86	526	49	331	31
GREEN LEDs	7,110	661	2,140	199	1,078	100	606	56	395	37
BLUE LEDs	10,620	987	3,030	281	1,520	141	841	78	552	51
FULL ON	24,200	2,248	7,110	661	3,230	300	1,925	179	1,250	116

DIMENSIONAL DIAGRAMS



OPTIONAL ACCESSORIES

ORDER CODE	ITEM
TRIGGER CLAMP	Heavy Duty Wrap Around Hook Style Clamp
SIXPAR300/GFH	Gel Frame and Holder Kit
EWDMXSYSTEM	Wireless DMX System (1 Transmitter, 1 Receiver)
EWDMXT	Wireless DMX Transmitter
EWDMXR	Wireless DMX Receiver
AC3PDMX5PRO	5 ft. (1.5m) 3pin PRO DMX Cable
AC5PDMX5PRO	5 ft. (1.5m) 5pin PRO DMX Cable
PLC3	3' (1m) PowerCON PRO Link Cable
PLC6	6' (1.8m) PowerCON PRO Link Cable
CAT005	5' (1.5m) CAT6 Ethercon Cable
CAT010	10' (3m) CAT6 Ethercon Cable
	Additional cable lengths available

