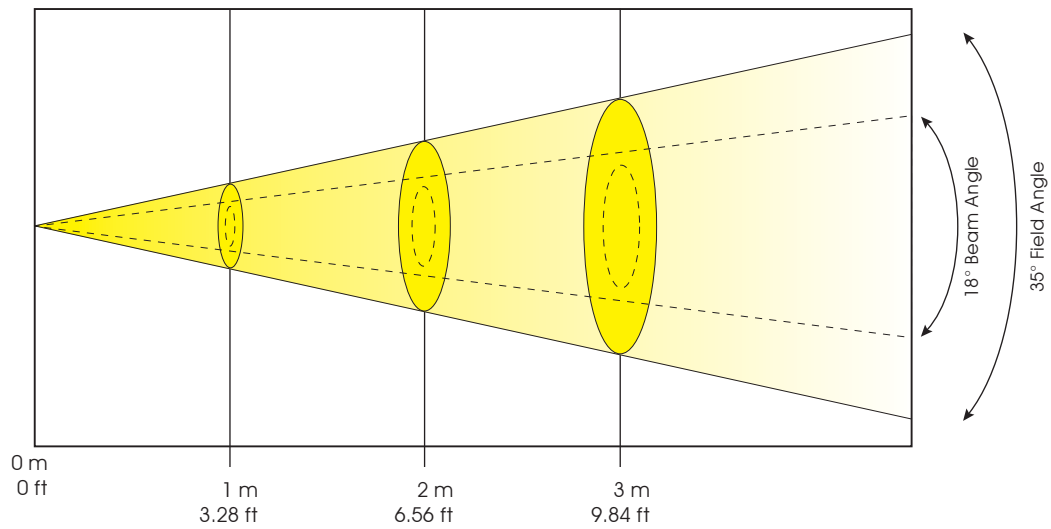


ELAR Tri Brick
Photometric Beam Angle Data

18° Beam Angle, 35° Field Angle / 25° Lens

LUX x 0.0929 = FC

R	120 FC / 1,282 LUX	33 FC / 356 LUX	14 FC / 152 LUX
G	300 FC / 3,221 LUX	94 FC / 1,010 LUX	45 FC / 480 LUX
B	61 FC / 660 LUX	19 FC / 203 LUX	9 FC / 94 LUX
Full	467 FC / 5,020 LUX	138 FC / 1,488 LUX	64 FC / 692 LUX



Beam Diameter			
18° Beam Angle	Ø 0.31 m / Ø 1.02 ft	Ø 0.62 m / Ø 2.03 ft	Ø 0.93 m / Ø 3.05 ft
35° Field Angle	Ø 0.64 m / Ø 2.10 ft	Ø 1.28 m / Ø 4.20 ft	Ø 1.92 m / Ø 6.30 ft