

LED Lighting Solutions



PRODUCT FEATURES

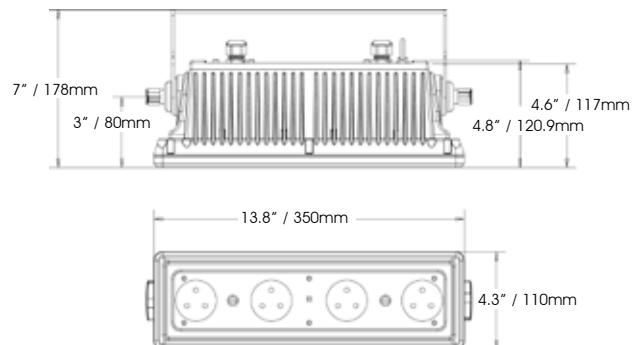
- . Tri Color LED IP 66 Brick
- . 12 x 3W Tri Color LED's
- . Smooth Color Mixing Flicker Free
- . Tri Color Technology
- . 18° Beam Angle/35° Field Angle (25° Lens)
- . IP 66 Rugged Design Par Die Cast Aluminum Case
- . Power / Data Link up to 16 fixtures
- . 3 & 5 Pin DMX & 120v AC power cable adaptors included
- . Built In Color Macros
- . Upgradable firmware via Elation "E-Loader" Data Pack
- . Electronic Switching Power Supply 100v~240v

TECHNICAL SPECIFICATIONS

- . **DMX Channels:** 5 DMX modes
 - 3/4/9/12/15 Channels DMX
- . **Control:** USITT DMX-512
- . **Color:** Tri color (RGB) LED technology, linear RGB Color Mixing, infinite color possibilities
- . **Strobe:** Electronic strobe 0-18 flashes per second
- . **Dimmer:** 0-100% Continuous Dimming
- . **Cooling:** Conventional - no fans
- . **Cable Plug Type:** Twist lock IP rated
- . **LED's Source:** 12 x 3W Tri Color LEDs
- . **Total Lumens:** 5,020 (all @ 1m)
- . **Lux:** 692 lux / 64 fc @ 10'
- . **LED Life:** 100,000 hours

ENVIRONMENTAL SPECIFICATIONS

- . **Max Ambient Temperature:** -20° +20°C
- . **IP Level:** IP 66



ELECTRICAL SPECIFICATIONS

- . **Ballast:** Electronic Power supply
- . **Power Supply:** 100-240V 50/60Hz
- . **Power Consumption:** 120W maximum
- . **Dimensions:** (LxWxH) 9.3" x 8.66" x 10.24" / 232 x 220 x 260mm
- . **Weight:** 15.2 lbs. (6 Kgs)

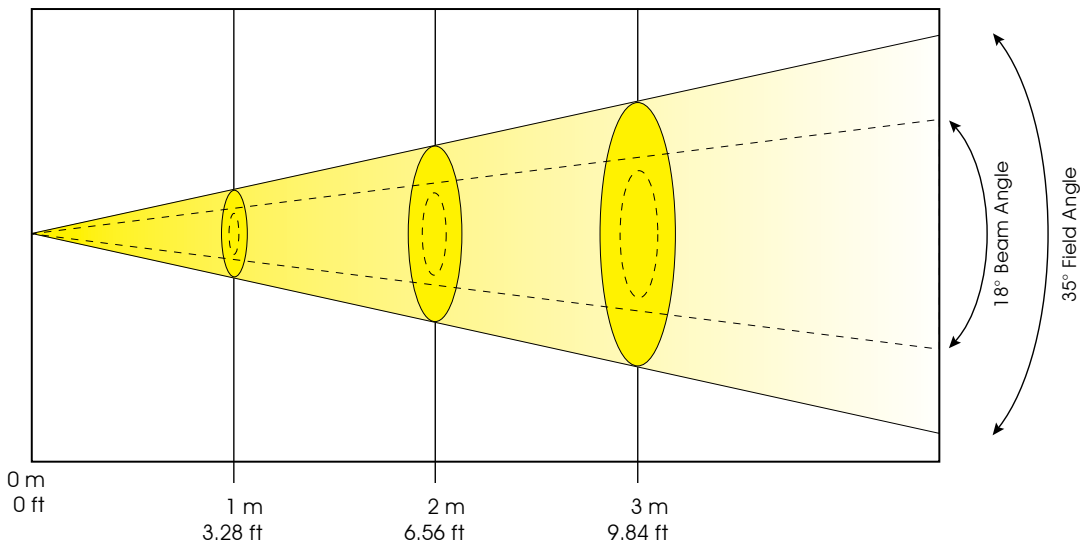
Photometrics

ELAR Tri Brick Photometric Beam Angle Data

18° Beam Angle, 35° Field Angle / 25° Lens

LUX x 0.0929 = FC

R	120 FC / 1,282 LUX	33 FC / 356 LUX	14 FC / 152 LUX
G	300 FC / 3,221 LUX	94 FC / 1,010 LUX	45 FC / 480 LUX
B	61 FC / 660 LUX	19 FC / 203 LUX	9 FC / 94 LUX
Full	467 FC / 5,020 LUX	138 FC / 1,488 LUX	64 FC / 692 LUX



Beam Diameter			
18° Beam Angle	Ø 0.31 m / Ø 1.02 ft	Ø 0.62 m / Ø 2.03 ft	Ø 0.93 m / Ø 3.05 ft
35° Field Angle	Ø 0.64 m / Ø 2.10 ft	Ø 1.28 m / Ø 4.20 ft	Ø 1.92 m / Ø 6.30 ft

DMX Traits

3 Channel Mode:

Channel	Value	Function
1	0 - 255	Red (0-black, 255-100% Red)
2	0 - 255	Green (0-black, 255-100% Green)
3	0 - 255	Blue (0-black, 255-100% Blue)

4 Channel Mode:

Channel	Value	Function
1	0 - 255	Red (0-black, 255-100% Red)
2	0 - 255	Green (0-black, 255-100% Green)
3	0 - 255	Blue (0-black, 255-100% Blue)
4	0 - 255	Dimming (0-black, 255-100%)

6 Channel Mode:

Channel	Value	Function
1	0 - 255	Red (0-black, 255-100% Red)
2	0 - 255	Green (0-black, 255-100% Green)
3	0 - 255	Blue (0-black, 255-100% Blue)
4	1 - 255	Internal programs
5	1 - 255	Strobe effect
6	0 - 255	Dimming (0-black, 255-100%)

12 Channel Mode:

Channel	Value	Function
1	0 - 255	Red (group 1)
2	0 - 255	Green (group 1)
3	0 - 255	Blue (group 1)
4	0 - 255	Red (group 2)
5	0 - 255	Green (group 2)
6	0 - 255	Blue (group 2)
7	0 - 255	Red (group 3)
8	0 - 255	Green (group 3)
9	0 - 255	Blue (group 3)
10	0 - 255	Red (group 4)
11	0 - 255	Green (group 4)
12	0 - 255	Blue (group 4)

15 Channel Mode:

Channel	Value	Function
1	0 - 255	Red (group 1)
2	0 - 255	Green (group 1)
3	0 - 255	Blue (group 1)
4	0 - 255	Red (group 2)
5	0 - 255	Green (group 2)
6	0 - 255	Blue (group 2)
7	0 - 255	Red (group 3)
8	0 - 255	Green (group 3)
9	0 - 255	Blue (group 3)
10	0 - 255	Red (group 4)
11	0 - 255	Green (group 4)
12	0 - 255	Blue (group 4)
13	1 - 255	Internal programs
14	1 - 255	Strobe effect
15	0 - 255	Dimming (0-black, 255-100%)

Product Order Code	Description
EAR504	36W Tri Color IP66 LED Brick Black Case
EAR505	36W Tri Color IP66 LED Brick White Case
Accessories Order Code	Description
EAR497	ELAR Brick Bracket: Mounting bracket for ELAR Bricks
80409030011	Data ext. cable 3 meter
80409030026	Power link cable 3 meter
80406030054	120V power in 3P IP cable 1.8 meter
80409030065	DMX out 3P female XLR/5P female IP 3 meter
80409030066	DMX in 3P male XLR/5P female IP 3 meter
80409030069	Data ext. cable 10 meter
80409030070	Power link cable 4 meter