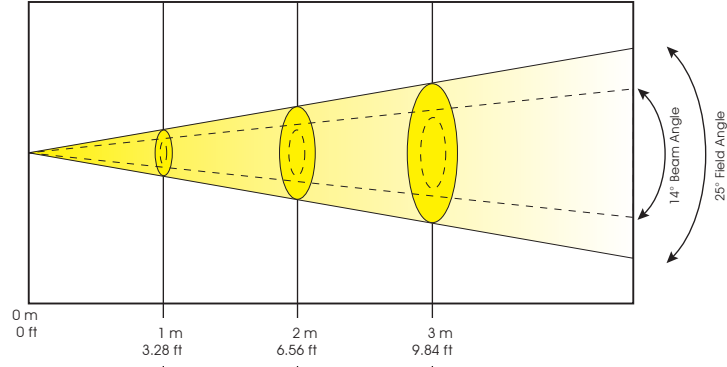


DLED 36 Pro
Photometric Beam Angle Data

Standard 15° Lens Kit: 14° Beam Angle, 25° Field Angle

LUX x 0.0929 = FC

R (12)	1,094 FC / 11,780 LUX	260 FC / 2,791 LUX	106 FC / 1,144 LUX
G (12)	1,691 FC / 18,200 LUX	427 FC / 4,600 LUX	210 FC / 2,251 LUX
B (12)	364 FC / 3,920 LUX	95 FC / 1,020 LUX	42 FC / 457 LUX
Full (36)	3,028 FC / 32,600 LUX	776 FC / 8,350 LUX	340 FC / 3,650 LUX



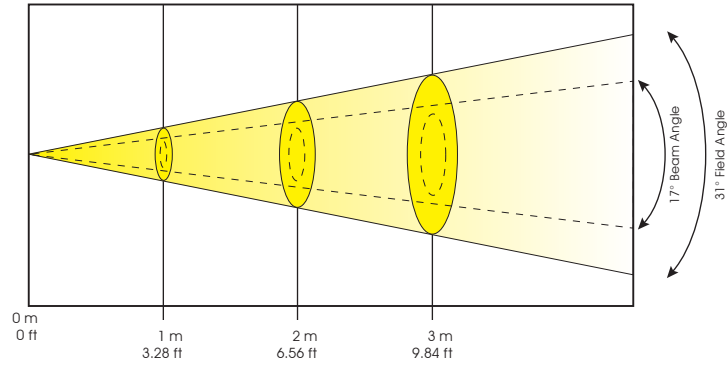
Beam Diameter

14° Beam Angle	∅ 0.24 m / ∅ 0.79 ft	∅ 0.48 m / ∅ 1.57 ft	∅ 0.72 m / ∅ 2.36 ft
25° Field Angle	∅ 0.45 m / ∅ 1.48 ft	∅ 0.90 m / ∅ 2.95 ft	∅ 1.35 m / ∅ 4.43 ft

Optional 25° Lens Kit: 17° Beam Angle, 31° Field Angle

LUX x 0.0929 = FC

R (12)	238 FC / 2560 LUX	63 FC / 675 LUX	29 FC / 312 LUX
G (12)	723 FC / 7780 LUX	190 FC / 2040 LUX	87 FC / 933 LUX
B (12)	124 FC / 1370 LUX	33 FC / 360 LUX	15 FC / 162 LUX
Full (36)	1089 FC / 11720 LUX	284 FC / 3058 LUX	132 FC / 1420 LUX



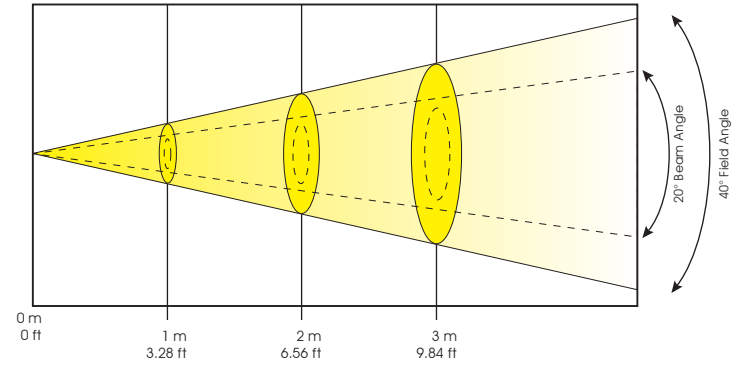
Beam Diameter

17° Beam Angle	∅ 0.30 m / ∅ 0.98 ft	∅ 0.60 m / ∅ 1.97 ft	∅ 0.90 m / ∅ 2.95 ft
31° Field Angle	∅ 0.55 m / ∅ 1.80 ft	∅ 1.10 m / ∅ 3.61 ft	∅ 1.65 m / ∅ 5.41 ft

Optional 45° Lens Kit: 20° Beam Angle, 40° Field Angle

LUX x 0.0929 = FC

R (12)	163 FC / 1751 LUX	41 FC / 443 LUX	17 FC / 184 LUX
G (12)	437 FC / 4702 LUX	112 FC / 1209 LUX	50 FC / 539 LUX
B (12)	80 FC / 860 LUX	20 FC / 218 LUX	9 FC / 98 LUX
Full (36)	691 FC / 7440 LUX	174 FC / 1872 LUX	78 FC / 840 LUX



Beam Diameter

20° Beam Angle	∅ 0.35 m / ∅ 1.15 ft	∅ 0.70 m / ∅ 2.30 ft	∅ 1.05 m / ∅ 3.44 ft
40° Field Angle	∅ 0.73 m / ∅ 2.40 ft	∅ 1.46 m / ∅ 4.80 ft	∅ 2.19 m / ∅ 7.19 ft