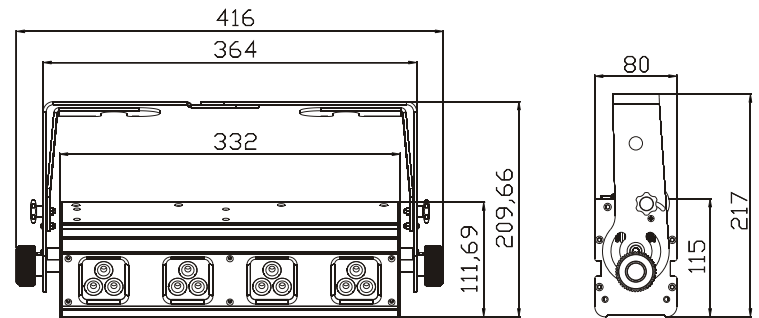


Design LED 12 Brick



Design LED 12 Brick Dimensions

The Design LED 12 Brick (DLED 12 Brick) by Elation Professional is a high output LED color changer panel equipped with 12 x 1 watt Luxeon LEDs (4 red, 4 green and 4 blue) featuring seamless RGB color mixing and infinite color possibilities. Effects for this unit include macros, 0-100% dimming, strobe effect of 1-18 flashes per second and a standard beam angle of 44° with 76 LUX, 7 FC at 3 meters. The design of the DLED 12 Brick is optimized featuring silent operation with convection cooling (no fans), a compact case design and long life LED technology providing up to 100,000 hours estimated L.E.D. life. The DLED 12 Brick is rated IP 20 and ideal for all indoor applications. This unit is also equipped with a built-in power supply and DMX-512 control and operates at 90-250V AC, 50/60hz. The DLED 12 Brick is power data linkable and display is via 12 position binary dip switches. Control data input is via 3-pin or 5-pin XLR connections and DMX control is via 6, 12 or 15 DMX channel operation modes. The DLED 12 Brick offers 8 built-in programs with speed control, master/slave auto programs and music trigger, flicker free operation and each LED may be controlled independently. Rigging for this unit includes installed mounting bracket and safety eye hook (DLEDKIT: optional bracket kit available for multiple units, not included). Safety cable and 3-pin data cable included.

FEATURES

- High output LED color changer
- LED panel with 12 LEDs
- 12 x 1W Luxeon LED's - (4 Ea. R, G, B)
- Seamless RGB color mixing
- Infinite Color possibilities
- 44° beam angle, 25° beam angle without frost filter
- 480 lumens @ 1m per unit
- 1340 lumens @ 1m per kit of 4 units
- Rated IP 20
- Compact case design, available in black
- Convection cooled
- IEC Power in/out
- On/Off Power switch
- Built-in Power Supply and DMX 512 Control
- 12 position binary dip switches
- Power data linkable
- Master/ Slave auto program and music trigger
- 8 built-in programs with Speed control
- Control each L.E.D. independently
- Flicker free operation

TECHNICAL SPECIFICATIONS

- **DMX Channels:** 6, 12 OR 15 channel operation modes
- **Control:** USITT DMX-512, 3-pin and 5-Pin XLR serial input/output, 12 Position Binary dip switches, IEC Power in/out
- **Dimmer:** 0-100% Dimming
- **Strobe:** Strobe effect (1-18 flashed per second)
- **IP Rating:** IP20
- **Power Supply:** 90-250V AC, 50/60Hz, On/Off Power switch
- **Power Consumption:** 30W
- **Cable/plug type:** PPG 120v US
- **Approvals:** CE/ETL pending
- **Lamp:** 12 x 1W Luxeon LED's - (4 Ea. R, G, B)
- **Lux at 3m:** 76 Lux / 7 FC
- **Lamp life:** Long Life L.E.D. (rated at 50,000 Hours)
- **Dimensions:** (LxWxH): 13" x 3" x 4.5" / 330 x 76 x 114 mm
- **Weight:** 4.5 lbs. / 2 kgs.
- **Rigging:** Mounting bracket and safety eye-hook installed. (DLEDKIT: optional bracket kit available for multiple units, not included)

Design LED 12 Brick



COLORS

- LED panel with 12 LEDs
- 12 x 1W Luxeon LED's - (4 Ea. R, G, B)
- Seamless RGB color mixing
- Infinite Color possibilities

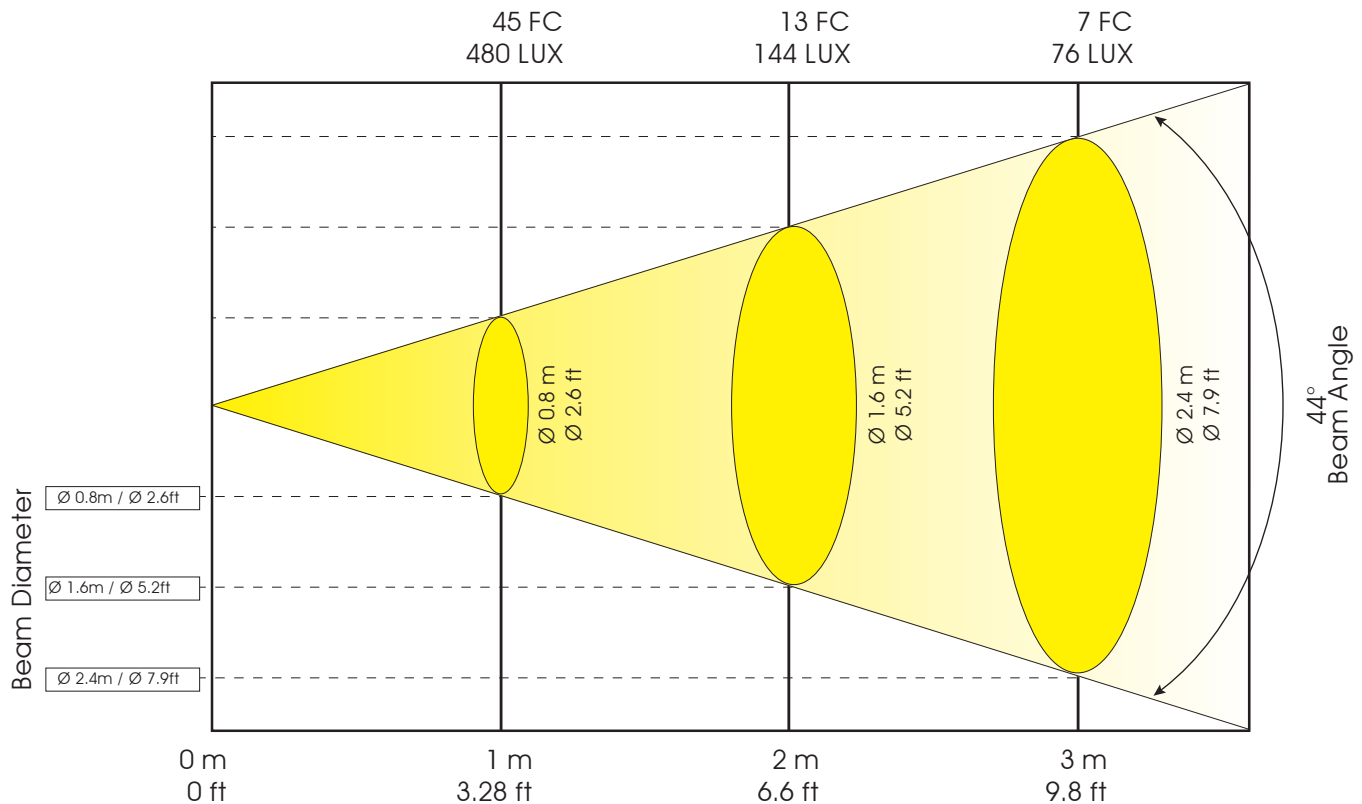


PHOTOMETRICS

Design LED 12 Brick Photometric Beam Angle Data

Beam Angle 44°

LUX x 0.0929 = FC



DMX TRAITS

6 Channel Mode:

Channel	Value	Function
1	0 - 255	Red (0 - black, 255 - 100% red)
2	0 - 255	Green (0 - black, 255 - 100% green)
3	221 - 255	Blue (0 - black, 255 - 100% blue)
4	0 - 255	Internal programs
5	0 - 255	Strobe
6	0 - 255	General dimming, program speed control

12 Channel Mode:

Channel	Value	Function
1	0 - 255	Red (0 - black, 255 - 100% red)
2	0 - 255	Green (0 - black, 255 - 100% green)
3	221 - 255	Blue (0 - black, 255 - 100% blue)
4	0 - 255	Red (0 - black, 255 - 100% red)
5	0 - 255	Green (0 - black, 255 - 100% green)
6	221 - 255	Blue (0 - black, 255 - 100% blue)
7	0 - 255	Red (0 - black, 255 - 100% red)
8	0 - 255	Green (0 - black, 255 - 100% green)
9	221 - 255	Blue (0 - black, 255 - 100% blue)
10	0 - 255	Red (0 - black, 255 - 100% red)
11	0 - 255	Green (0 - black, 255 - 100% green)
12	221 - 255	Blue (0 - black, 255 - 100% blue)

15 Channel Mode:

Channel	Value	Function
1	0 - 255	Red (0 - black, 255 - 100% red)
2	0 - 255	Green (0 - black, 255 - 100% green)
3	221 - 255	Blue (0 - black, 255 - 100% blue)
4	0 - 255	Red (0 - black, 255 - 100% red)
5	0 - 255	Green (0 - black, 255 - 100% green)
6	221 - 255	Blue (0 - black, 255 - 100% blue)
7	0 - 255	Red (0 - black, 255 - 100% red)
8	0 - 255	Green (0 - black, 255 - 100% green)
9	221 - 255	Blue (0 - black, 255 - 100% blue)
10	0 - 255	Red (0 - black, 255 - 100% red)
11	0 - 255	Green (0 - black, 255 - 100% green)
12	221 - 255	Blue (0 - black, 255 - 100% blue)
13	0 - 255	Internal programs
14	0 - 255	Strobe
15	0 - 255	General dimming, program speed control