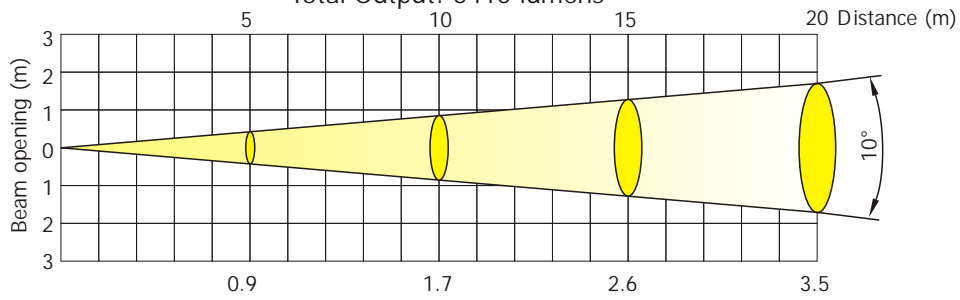


Robin DL4S Profile

Photometric Diagrams

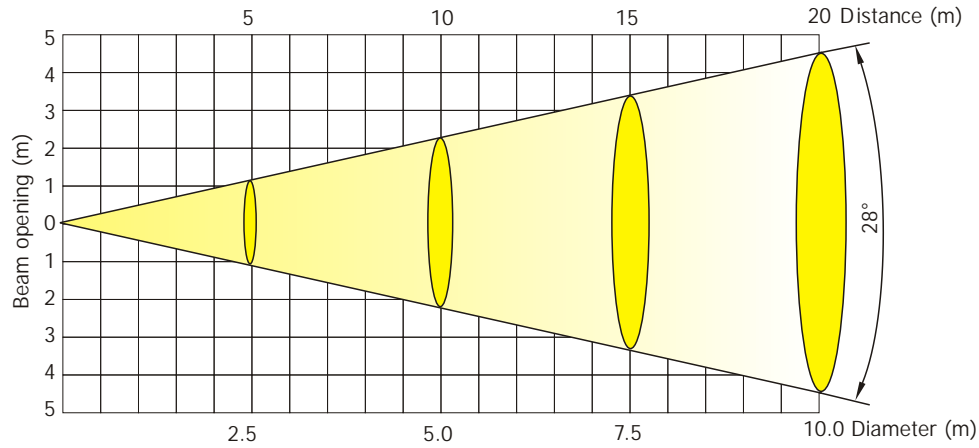
Beam angle 10° - Min. zoom

Total Output: 5410 lumens



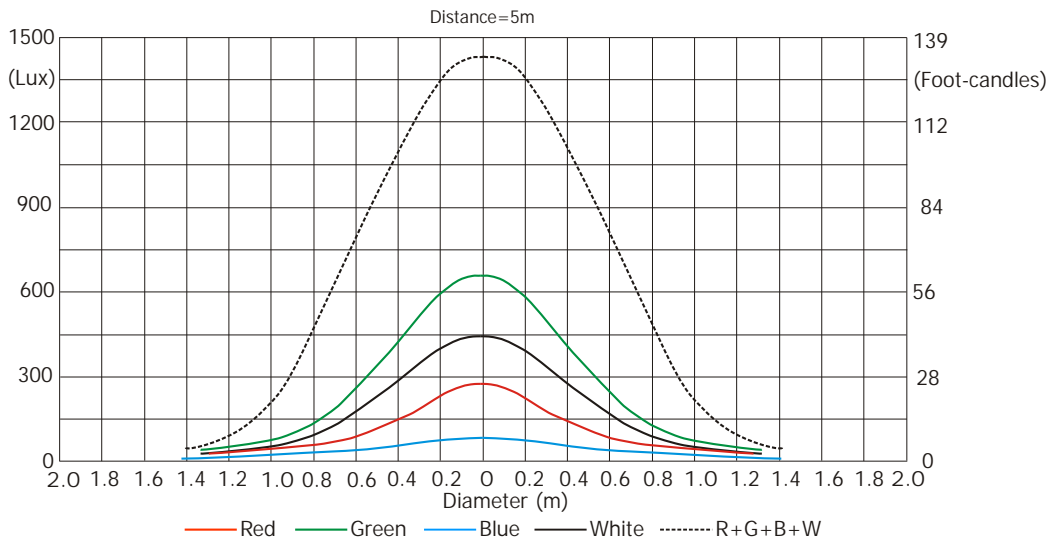
Distance (m)	5	6	8	10	12	14	15	20	
Red	2370/220	1645/153	925/55	593/55	412/38	302/28	263/25	148/14	Intensity (center) Lux/Footcandles
Green	5050/469	3507/326	1973/183	1263/117	877/82	644/60	561/52	315/29	
Blue	770/72	535/50	301/28	193/18	134/12	98/9	86/8	48/5	
White	3180/295	2208/205	1242/115	795/74	552/51	406/38	353/33	199/19	
R+G+B+W	11230/1043	7798/725	4387/407	2808/261	1950/181	1432/133	1248/116	700/65	

Beam angle 10° with frost



Distance (m)	5	6	8	10	12	14	15	20	
Red	279/26	194/18	109/10	70/6.5	48/4.5	36/3	31/3	17/1.6	Intensity (center) Lux/Footcandles
Green	638/59	443/41	249/23	160/15	111/10	81/8	71/7	40/3.7	
Blue	92/8.5	64/6	36/3.3	23/2	16/1.5	12/1	10/0.9	5/0.5	
White	441/41	306/28.5	172/16	110/10	77/7	56/5	49/5	28/2.6	
R+G+B+W	1440/134	1000/93	563/52	360/33.4	250/23	184/17	160/15	90/8.4	

Illuminance distribution

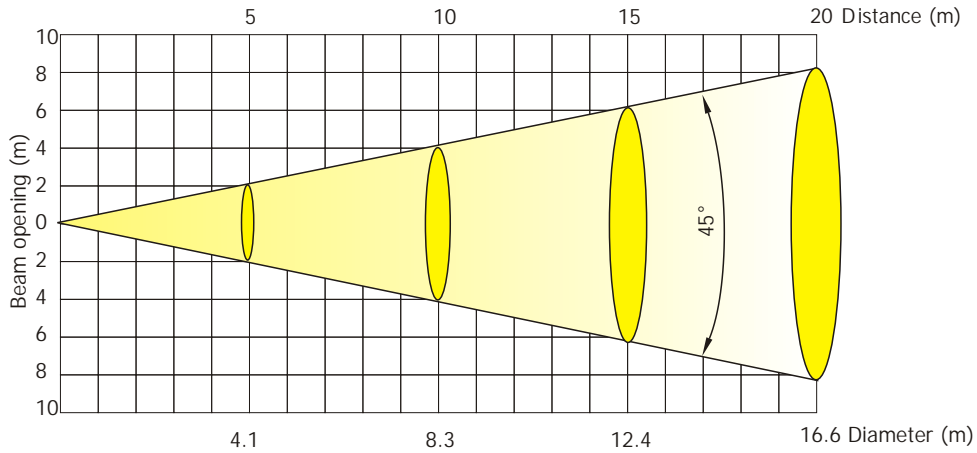


Robin DL4S Profile

Photometric Diagrams

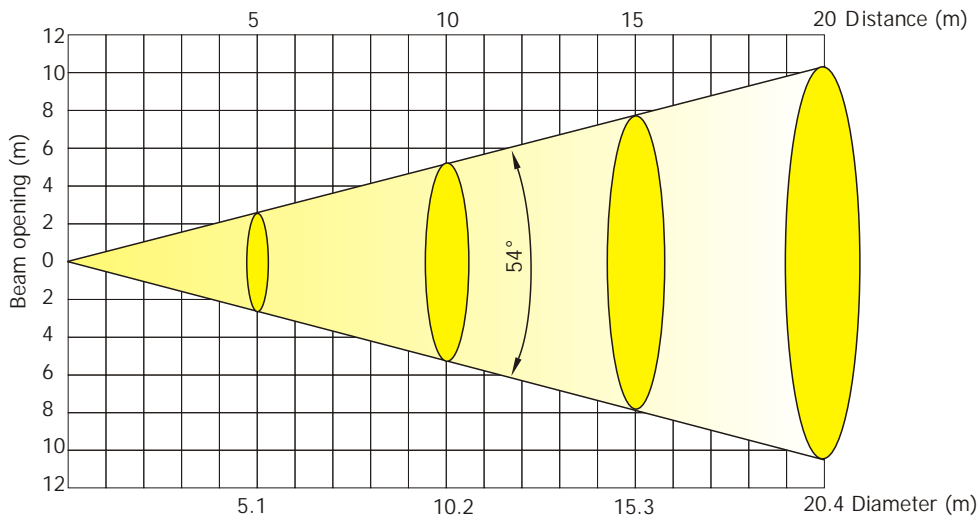
Beam angle 45° - Max. zoom

Total Output: 6320 lumens



Distance (m)	5	6	8	10	12	14	15	20	
Red	226/21	157/15	88/8	57/5	39/4	29/2.7	25/2.3	14/1.3	Intensity (center) Lux/Footcandles
Green	480/45	333/31	188/17	120/11	83/8	61/6	53/5	30/2.8	
Blue	74/6.9	51/5	29/2.7	19/1.7	13/1.2	9/0.9	8/0.8	4.6/0.4	
White	450/42	313/29	176/16	113/11	78/7	57/5.3	50/4.6	28/2.6	
R+G+B+W	1235/115	857/80	482/45	309/29	214/20	158/15	137/13	77/7.2	

Beam angle 45° with frost



Distance (m)	5	6	8	10	12	14	15	20	
Red	73/7	51/4.7	29/2.6	18/1.7	12.7/1.2	9/0.9	8/0.8	4.6/0.4	Intensity (center) Lux/Footcandles
Green	112/10.4	78/7.2	44/4	28/2.6	19/1.8	14/1.3	12/1.2	7/0.7	
Blue	24/2.2	17/1.5	9/0.9	6/0.6	4.2/0.4	3.1/0.3	2.7/0.2	1.5/0.1	
White	128/12	89/8	50/4.6	32/3	22/2.1	16/1.5	14/1.3	8/0.7	
R+G+B+W	510/47	354/33	199/18.5	128/12	89/8	65/6	57/5.3	32/3	

Robin DL4S Profile

Photometric Diagrams

Illuminance distribution

Distance=5m

