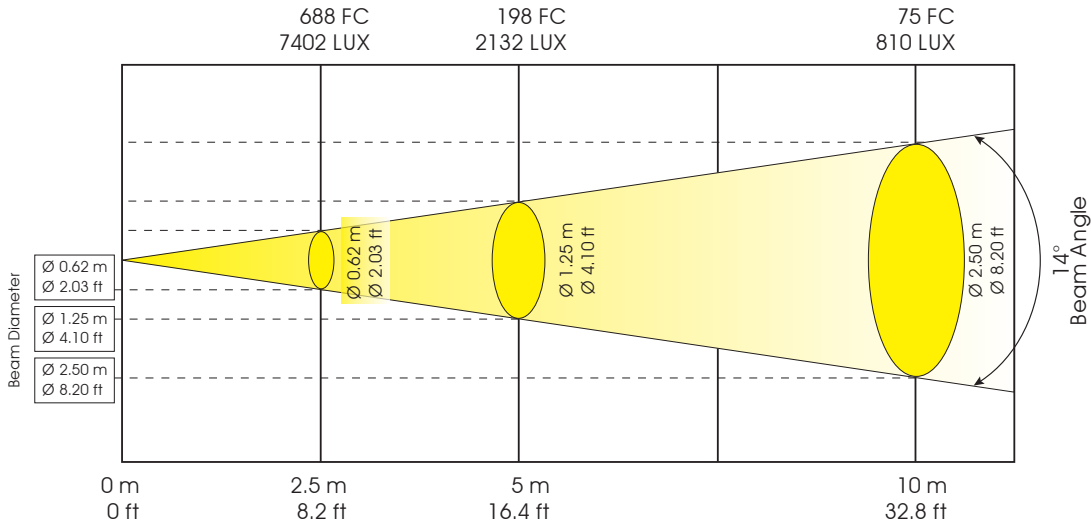


Design Spot 250 Pro
Photometric Beam Angle Data

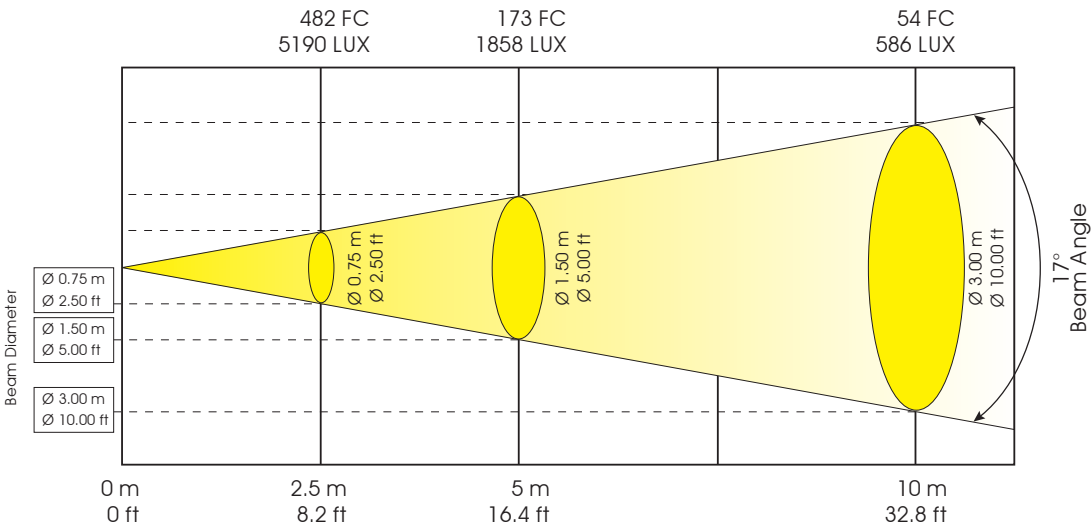
Standard Beam Angle 14°

LUX x 0.0929 = FC



Standard Beam Angle 17°

LUX x 0.0929 = FC



Optional Beam Angle 20°

LUX x 0.0929 = FC

