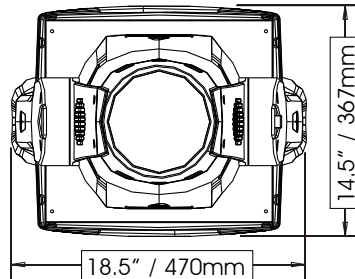
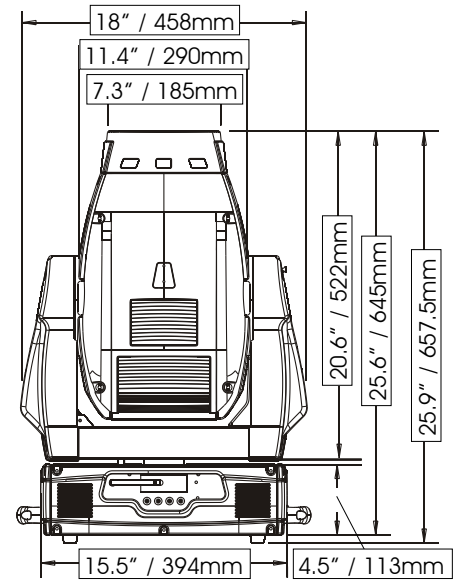


Design Beam 1200C



Design Beam 1200C Dimensions



The Design Beam 1200C (DB 1200C) by Elation Professional is an intelligent 1200 watt compact hybrid spot, wash and beam projector featuring CMY color mixing plus variable CTO and EWDMX built-in wireless DMX receiver. DB 1200C is equipped with 8 static/replaceable dichroic filters including CTB and UV and two gobo wheels. Gobo wheel one contains 6 rotating, indexing replaceable gobos and gobo wheel two contains 7 static replaceable gobos. Additional features include variable frost for hard edge beam or wash effect, rotating indexing 3-facet prism, 16-bit movement and color fading and 3 phase motors for fast movements. The unit is available in black casing and features a compact case design. The DB 1200C is powered by Phillips MSR 1200/2 SA/DE double ended discharge lamp providing up to 750 hours estimated lamp life. Rated at IP20 this unit is designed for indoor applications only and can operate from a 208-240V AC, 50/60HZ. Control data input is via 3 pin or 5 pin DMX data first in and out connections.

FEATURES

- 1200 Watt Compact Hybrid Spot / Wash / Beam Projector
- CMY Color Mixing + Variable CTO
- 8 Static / Replaceable Dichroic Colors incl. CTB and UV
- 6 Rotating / Indexing Gobos (replaceable)
- 7 Static Replaceable Gobos
- Very tight 6.7° beam angle with extreme output ACL EFFECT!
- Extreme Light output – over 100,000 Lumens!
- 16 Bit Movement and Color fading
- 3 Phase Motors for fast movements
- Rotating / Indexing Prism 3-Facet
- Variable Frost for hard edge BEAM or WASH effect
- EWDMX Wireless DMX receiver built in
- Digital LCD Blue / White Menu Display
- Pan / Tilt Lock - 630° or 540° Pan x 265° Tilt selectable
- 21 DMX Channels standard or 30 channels 16bit mode
- DMX Record function on-board
- 4 User settable personality DMX traits
- Compact case design (575 size case)

TECHNICAL SPECIFICATIONS

- **DMX Channels:** 21 DMX Channels standard or 31 channels 16bit mode
- **Control:** RDMX, 3 pin or 5pin DMX in/out
- **Dimmer:** Yes
- **Strobe:** Yes
- **Iris:** Yes
- **Power supply:** 208-240v / 50-60hz
- **Power consumption:** 7.4A 1,536W
- **Fuse:** 6H/2A/15A Electronic Ballast
- **DB Rating:** 56.3db @ 3'
- **Lamp:** MSR1200/2 SA/DE Philips double ended discharge lamp
- **Lamp life:** 1200W, CRI 85, 7500°K, 750 HRS
- **Lux:** 107,500 @ 25'
- **Dimensions:** (LxWxH) 18.5" x 18.2" x 20.3" / 469.9 x 462.28 x 515.62mm
- **Weight:** 78.5 lbs. / 35.6 kg
- **Rigging:** Rigging included
 - 1 x safety cable
 - 1 x data cable (3-pin)

RDMX
REMOTE DMX ADDRESSING

POWERED BY
PHILIPS

Design Beam 1200C

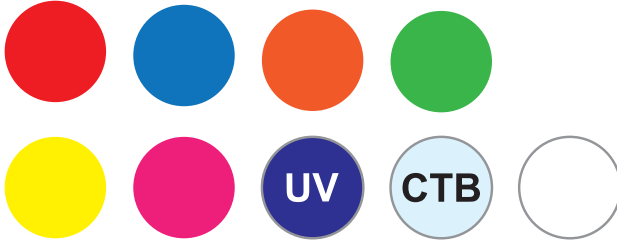


COLORS / GOBOS

- CMY Color Mixing + Variable CTO
- 8 Static / Replaceable Dichroic Colors incl. CTB and UV
- 6 Rotating / Indexing Gobos (replaceable)
- 7 Static Replaceable Static Gobo Wheel
- Very tight 6.7° beam angle with extreme output ACL EFFECT!
- Extreme Light output – over 100,000 Lumens!
- 16 Bit Movement and Color fading



COLORS



STATIC GOBO WHEEL



ROTATING GOBO WHEEL

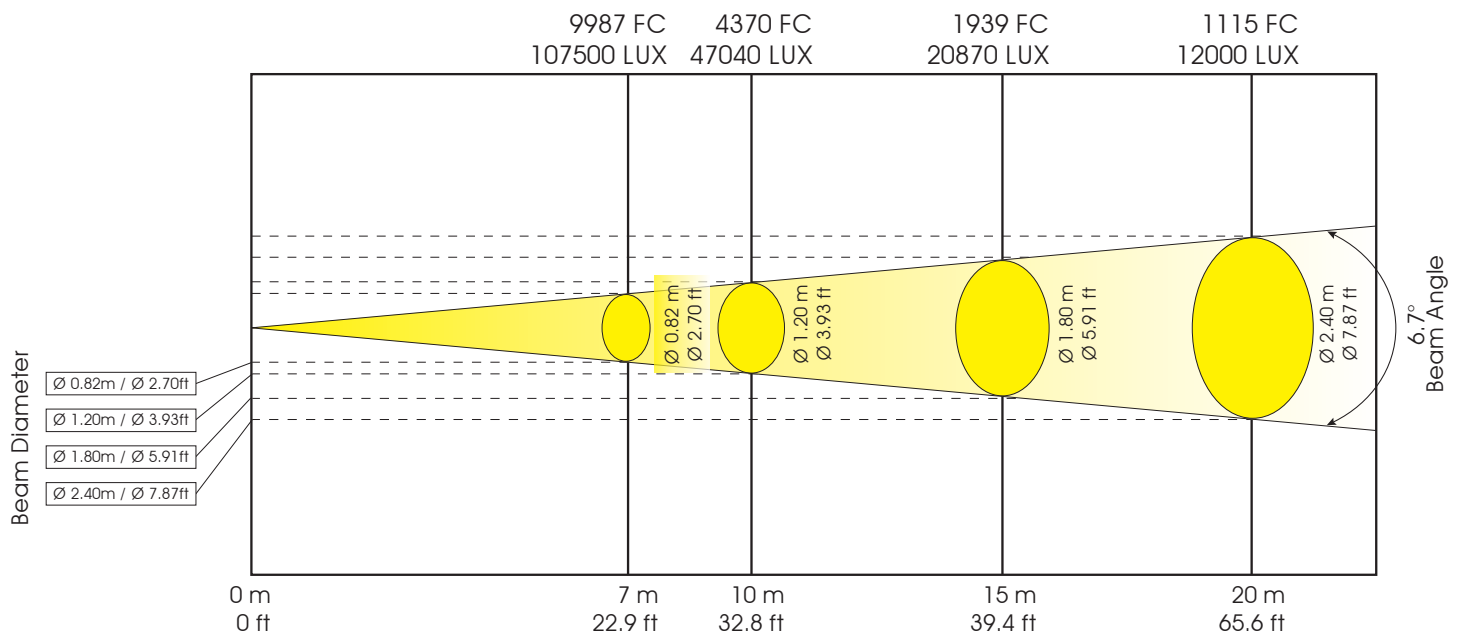


PHOTOMETRICS

Design Beam 1200C Photometric Beam Angle Data

Beam Angle 6.7°

LUX x 0.0929 = FC



DMX TRAITS

16-Bit Basic Mode:

Channel	Value	Function
1	0 - 255	PAN 8-bit
2	0 - 255	PAN fine 16-bit
3	0 - 255	TILT 8-bit
4	0 - 255	TILT fine 16-bit
5	0 - 255	Color Wheel
6	0 - 255	Cyan 0 to 100%
7	0 - 255	Magenta 0 to 100%
8	0 - 255	Yellow 0 to 100%
9	0 - 255	CTO 0 to 100%
10	0 - 255	Gobo Wheel 1
11	0 - 255	Gobo Wheel 1 Index & Continuous Scroll
12	0 - 255	Gobo Wheel 2
13	0 - 255	Rotating Effect
14	0 - 255	Focus: Continuous Adjustment from near to far
15	0 - 255	Shutter/Strobe
16	0 - 255	Dimmer: Intensity 0 to 100%
17	0 - 255	Frost: Min. to Max. 0 to 100%
18	0 - 255	CMY Speed: Maximum to Minimum
19	0 - 255	Pan/Tilt Speed
20	0 - 255	Color Macros
21	0 - 255	Lamp on/off, Reset, Internal Programs

16-Bit Extended Mode:

Channel	Value	Function
1	0 - 255	PAN 8-bit
2	0 - 255	PAN fine 16-bit
3	0 - 255	TILT 8-bit
4	0 - 255	TILT fine 16-bit
5	0 - 255	Color Wheel
6	0 - 255	Color Wheel Fine 16-bit
7	0 - 255	Cyan 0 to 100%
8	0 - 255	Cyan Fine 16-bit
9	0 - 255	Magenta 0 to 100%
10	0 - 255	Magenta Fine 16-bit
11	0 - 255	Yellow 0 to 100%
12	0 - 255	Yellow Fine 16-bit
13	0 - 255	CTO 0 to 100%
14	0 - 255	CTO Fine 16-bit
15	0 - 255	Gobo Wheel 1
16	0 - 255	Gobo Wheel 1 Index & Continuous Scroll
17	0 - 255	Gobo Wheel 1 Fine Indexing
18	0 - 255	Gobo Wheel 2
19	0 - 255	Gobo Wheel 2 Index & Continuous Scroll
20	0 - 255	Gobo Wheel 2 Fine Indexing
21	0 - 255	Focus: Continuous Adjustment from near to far
22	0 - 255	Focus Fine 16-bit
23	0 - 255	Shutter/Strobe
24	0 - 255	Dimmer: Intensity 0 to 100%
25	0 - 255	Dimmer Fine 16-bit
26	0 - 255	Frost: Min. to Max. 0 to 100%
27	0 - 255	Frost Fine 16-bit
28	0 - 255	CMY Speed: 0-255 Speed Maximum to Minimum
29	0 - 255	Pan/Tilt Speed
30	0 - 255	Color Macros
31	0 - 255	Lamp on/off, Reset, Internal Programs