

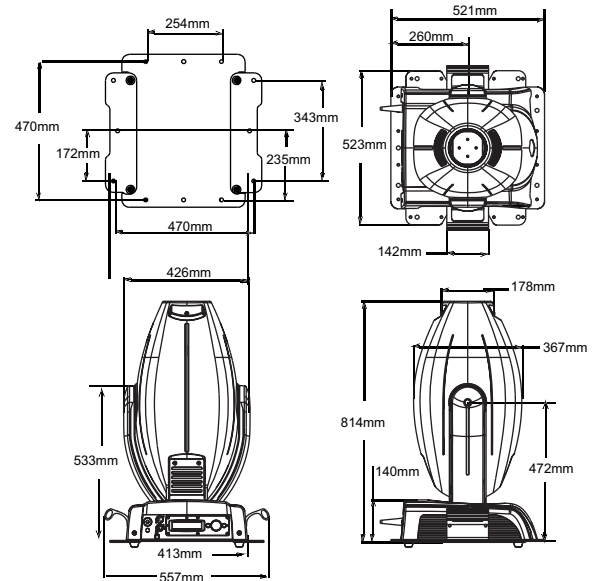
MECHANICAL SPECIFICATIONS

FIXTURE		BOXED FOR SHIPPING	
in:	20.5 x 20.6 x 31.7	in:	24.5 x 26.0 x 39.0
mm:	520.7 x 523.2 x 805	mm:	622.3 x 660.4 x 990.6
Weight:	31.8 kg (70 lb)	Weight:	48 kg (106 lb)

Mounting Information:

x.Spot Xtreme may be mounted by attaching suitable clamps with locking washers through the holes on top of the yoke. Cheeseborough truss clamps and 1/2" nut/bolt sets may be purchased separately. x.Spot Xtreme can also stand on its end handles on a sturdy, stable surface.

Colors Available: Black



ELECTRICAL SPECIFICATIONS / LIGHT SOURCE

Lamp: MSR short arc

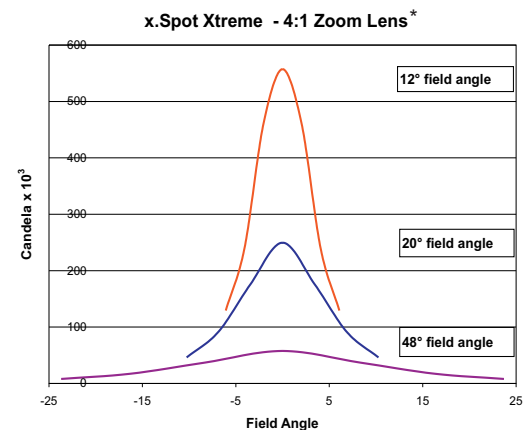
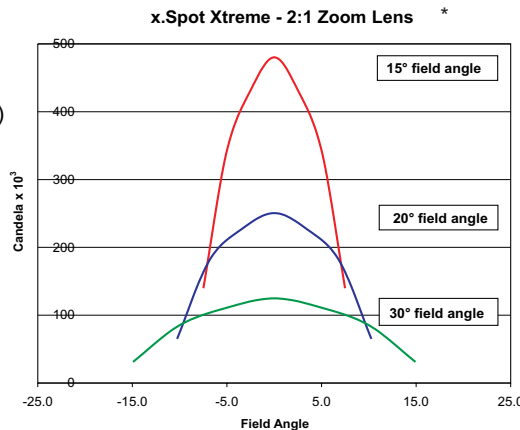
Power Consumption: Universal input from 120 - 230 VAC (50-60 Hz)

Rated Power: 1200W

Power Factor: 120V, 60 Hz: 0.98
230V, 50 Hz: 0.98

Lamp Life: 500 hours

*Illuminance = candela/distance²



OPERATION

Control Options: Fixture Talkback, Internal Effects

Pan: 630° **Tilt:** 240°

Zoom: 15° - 30° (2:1 lens) 12° - 48° (4:1 lens)

Minimum Focus Distance 3 meters

Software Upgrades Operating software may be downloaded from the High End Systems web site (www.highend.com) or uploaded using a High End Systems dongle.

Compliances CE, CETL, ETL

DMX Connectors 5-pin male and female XLR connectors

Environmental Tolerances Maximum Ambient Temperature: 50° C (122° F) Minimum Distance to Flammable Objects: 1m (3.28ft)
Maximum Exterior Surface Temperature: 130° C (266° F) Minimum Distance to Lighted Object: 2m (6.56 ft)

PART NUMBERS

Fixture
46010005 - XSP, Fixture X-Spot Xtreme Black 2:1 lens
46010004 - XSP, Fixture X-Spot Xtreme Black 4:1 lens

Lamps
55030054 - x.Spot replacement lamp, Philips MSR 700-SA

Accessories
26040002 - DMX Upload Dongle
46040001 - x.Spot Lithomotion Module
46040002 - x.Spot Framing Module

Flight Case
80430080 - x.Spot Road Case

DMX CHANNELS (Standard Configuration)

Channel	Function	Channel	Function	Channel	Function	Channel	Function
1	Pan High	11	Zoom	21	CTO	31	Gobo 2 Rotate High
2	Pan Low	12	Motor Speed	22	CTB	32	Gobo 2 Rotate Low
3	Tilt High	13	Macros	23	Gobo 1 Function	33	Effects Function
4	Tilt Low	14	Control	24	Gobo 1 Position	34	Effects Position
5	Lamp Control	15	Static Color Function	25	Gobo 1 Rotate Function	35	Effects Rotate Function
6	Shutter	16	Static Color Position	26	Gobo 1 Rotate High	36	Effects Rotate High
7	Dim	17	Mix Color Function	27	Gobo 1 Rotate Low	37	Effects Rotate Low
8	Frost (Variable)	18	Cyan	28	Gobo 2 Position	38	Iris (Variable)
9	Focus Control	19	Magenta	29	Gobo 2 Rotate Function		
10	Focus	20	Yellow	30			

DMX Channels: 38

Fixtures per Universe: 13

Internal Preset Scene Memory: 2 Banks, 16 Scenes per Bank

COLOR WHEEL

Color Wheel 1:

Position	Description	Replaceable
1	Open	No
2	Red	Yes
3	Yellow	Yes
4	Green	Yes
5	Orange	Yes
6	Blue	Yes

X.Spot features CMY subtractive color mixing.



Dichroic Glass

Thickness: 0.069 in ± 0.010 in (1.8 mm ± 0.25 mm)

LITHO/EFFECTS WHEELS

Litho Wheel 1: Rotating, Indexing

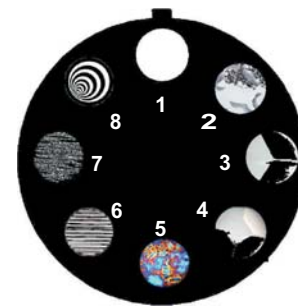
Position	Description	Replaceable
1	Open	No
2	Xylem	Yes
3	Fin Fan 1 Moire	Yes
4	Velvet Fold	Yes
5	Lumol	Yes
6	Broadband	Yes
7	Parquet	Yes
8	Tunnel	Yes

Litho Wheel 2: Rotating, Indexing

Position	Description	Replaceable
1	Open	No
2	Fracture	Yes
3	Polymeoba	Yes
4	Dense Foliage	Yes
5	Drain	Yes
6	Fluffy Clouds	Yes
7	Irregular Craters	Yes
8	Valiant	Yes

Effects Wheel 1: Rotating

Position	Description	Replaceable
1	Open	No
2	Slow Glass	Yes
3	3 Facet Prism	Yes
4	5 Facet Prism	Yes
5	Fusion Fire Blue	Yes
6	Lenticular	Yes
7	Ligneous	Yes
8	Psycho Tunnel	Yes



Lithopatterns

Diameter: 1.435 in ± 0.006 in (36.45 mm ± 0.13 mm) Thickness (rotating litho): 0.070 in ± 0.006 in (1.78 mm ± 0.13 mm)
 Image area: 1.250 in ± 0.010 in (31.75 mm ± 0.25mm) Thickness (static litho): 0.070 in ± 0.006 in (1.78 mm ± 0.13 mm)

Effects Glass

Diameter: 1.435 in ± 0.006 in (36.45 mm ± 0.13 mm) Maximum Thickness: .150 in (3.81 mm)
 Image Area: 1.250 in ± 0.010 in (31.75 mm ± 0.25 mm)