

MECHANICAL SPECIFICATIONS

FIXTURE (WITH YOKE) BOXED FOR SHIPPING

Dimensions:

mm: 293 x 585 x 733
in: 11.5 x 23.0 x 28.9

Dimensions:

mm: 506 x 657 x 910
in: 20 x 26 x 36

Fixture Weight: 26.7 kg (58 lb)

Shipping Weight: 37 kg (82 lb)

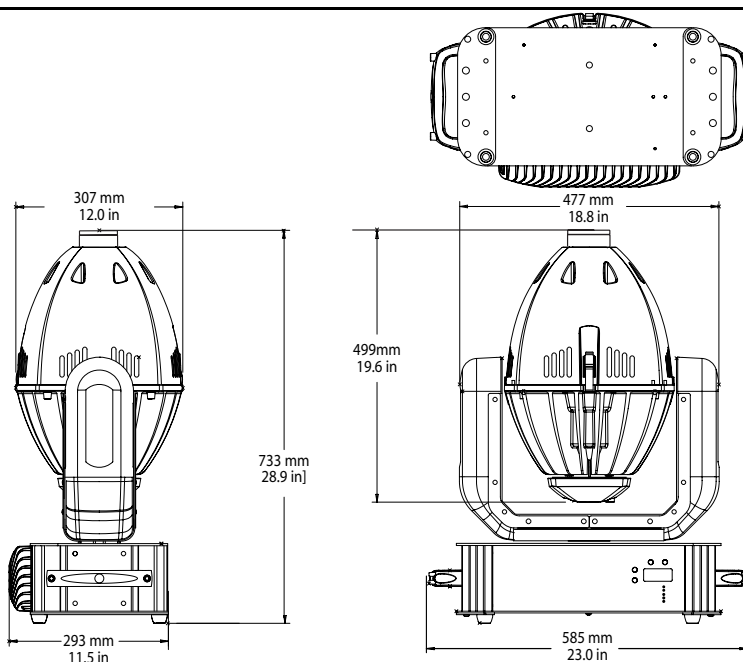
Mounting Information: Mount the Studio Spot 575 Zoom fixture by attaching suitable clamps with locking washers through the center holes on the base.

Cheeseborough truss clamps and 1/2" nut/bolt sets may be purchased separately.

The fixture can also stand on its rubber feet on a sturdy, stable surface.

Colors Available: Black

Turning Radius: 22 in (558 mm)



ELECTRICAL SPECIFICATIONS/LIGHT SOURCE

Power Consumption: 100V 50HZ @ 7.0A
230V 50HZ @ 3.0A
100V 60HZ @ 7.0A
230V 60HZ @ 3.0A

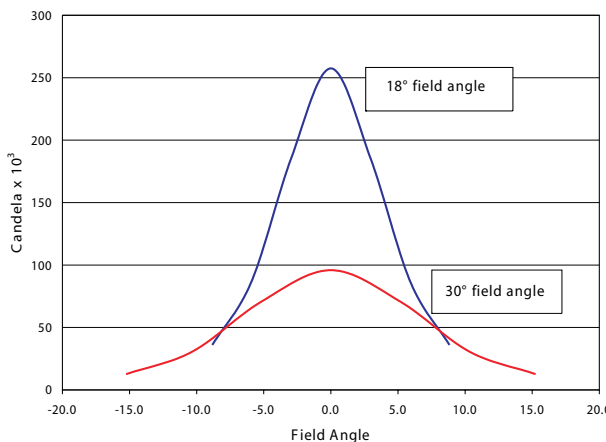
Rated Power: 700W maximum

Power Factor: 0.96 @ 230V/50Hz
0.99 @ 100 V/60Hz

Lamp Options: MSR 575/2 or optional
MSD 575 for longer lamp life

Lamp Specification:

Lamp	ColorTemp	Lamp Life	Light Output
MSR 575/2	6200K	500-750 hrs	9000 lumens
MSD 575	5600K	3000 hrs	7500 lumens



Center Beam Candela: 260,000
Beam Angle Degrees: 10
Field Angle Degrees: 18

$$\text{Illuminance} = \frac{\text{Candela}}{\text{Distance}^2}$$

Throw	Center Beam	Beam Diameter	Field Diameter
5	10400	0.9	1.6
10	2600	1.7	3.2
15	1156	2.6	4.8
20	650	3.5	6.3
25	416	4.4	7.9
30	289	5.2	9.5
35	212	6.1	11.1
40	163	7.0	12.7
45	128	7.9	14.3
50	104	8.7	15.8
55	86	9.6	17.4
60	72	10.5	19.0
65	62	11.4	20.6
70	53	12.2	22.2
75	46	13.1	25.1
80	41	14.0	25.3
85	36	14.9	26.9
90	32	15.7	28.5
95	29	16.6	30.1
100	26	17.5	31.7

Note:

For Metric figures, read "Center Beam" values in lux, and the throw and diameters in meters.

For US figures, read "Center Beam" values in footcandles, and the throw and diameters in feet.

OPERATION

Pan: 370°

Tilt: 255°

Zoom: 18° - 30°

Compliances: CE, CETL, and ETL compliant.

Software Upgrades: Download operating software from the High End Systems website (www.highend.com) and upload using Echo Software

Environmental Specifications:

Maximum Ambient Temperature (T_a): 40°C (104° F)
Maximum Exterior Surface Temperature: 200°C (392°F)
Maximum winding temperature, T_w: 130°C (266°F)
Maximum capacitor temperature, T_c: 85°C (185°F)

Minimum Focus Distance: 1 m (3.9 ft)

PART NUMBERS

Fixtures

39010004 - Studio Spot 575 Zoom Automated Spot Fixture, w/lamp

Lamps

55030052 - Studio Spot 575 Replacement Lamp, Philips MSR 575-2

55030050 - Studio Spot 575 Replacement Lamp, Philips MSD 575

Flight cases

39070001 - Road Case, Studio Spot 575, Single Fixture

39070002 - Road Case, Studio Spot 575, Dual Fixtures

DMX Control

Control Options: DMX-512, On Board Programming/Playback, Internal Effects

Address Methods: LED Display, Fixture Talkback.

DMX/RDM Data Connectors: 3-pin male and female XLR connectors

DMX Channels: 24

Fixtures per Universe: 21

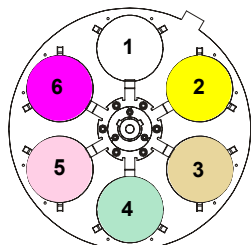
Internal Preset Scene Memory: 1 bank, 16 scenes

DMX Channels

Channel	Function	Channel	Function
1	Pan	13	Litho Wheel 2 Function
2		14	Litho Wheel 2 Position
3	Tilt	15	Litho Wheel 2 Rotation
4			
5	Color Wheel 1 Function	17	Zoom
6	Color Wheel 1 Position	18	Focus
7	Color Wheel 2 Function	19	Iris
8	Color Wheel 2 Position	20	Shutter (mechanical strobe)
9	Litho Wheel 1 Function	21	Dim
10	Litho Wheel 1 Position	22	Motor Speed
11	Litho Wheel 1 Rotation	23	Factory Macros
12		24	Control

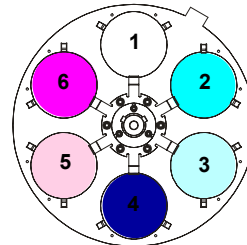
Color Wheel 1

Position	Description
1	Open
2	Yellow
3	CTO
4	Aqua
5	Pink
6	Magenta



Color Wheel 2

Position	Description
1	Open
2	Cyan
3	Light Cyan
4	Indigo
5	Pink
6	Magenta



Litho Wheel 1

Position	Description
1	Open
2	Triwing
3	Lava
4	Hollywood Stars
5	Wavy Tunnel
6	Shatters



Litho Wheel 2

Position	Description
1	Open
2	Lenticular Effect Glass
3	Wide Slow Effect Glass
4	Building Blocks
5	Jax
6	Gatlin Gun



Dichroic Glass Specifications

Diameter: 1.745in ± 0.010in (44.323mm ± 0.25mm)

Thickness: 0.070in ± 0.010in (1.778mm ± 0.25mm)

Effects Glass Specifications

Diameter: 1.430 in ± 0.125 in ± 0.010 in (3.175 mm ± 0.25 mm)

Image Area: 1.250 in ± 0.010 in (31.750 mm ± 0.25 mm)

Thickness: 0.125 in ± 0.010 in (3.175 mm ± 0.25 mm)

Lithopattern Specifications

Resolution: 300 d.p.i.

Diameter: 1.435 in ± 0.006 in (36.449 mm ± 0.15 mm)

Image area: 1.250 in ± 0.010 in (31.750 mm ± 0.25 mm)

Thickness: 0.070 in ± 0.010 in (1.778 mm ± 0.25 mm)

© 2009, High End Lighting Systems, Inc. All specifications subject to change without notice

High End Lighting Systems, Inc.
2105 Gracy Farms Lane
Austin, TX 78758 USA
voice:512.836.2242
fax:512.837.5290
Toll Free: 800.890.8989

Customer Service
2105 Gracy Farms Lane
Austin, TX 78758 USA
voice:800.890.8989
fax: 512.834.9195
Toll free: 800.890.8989