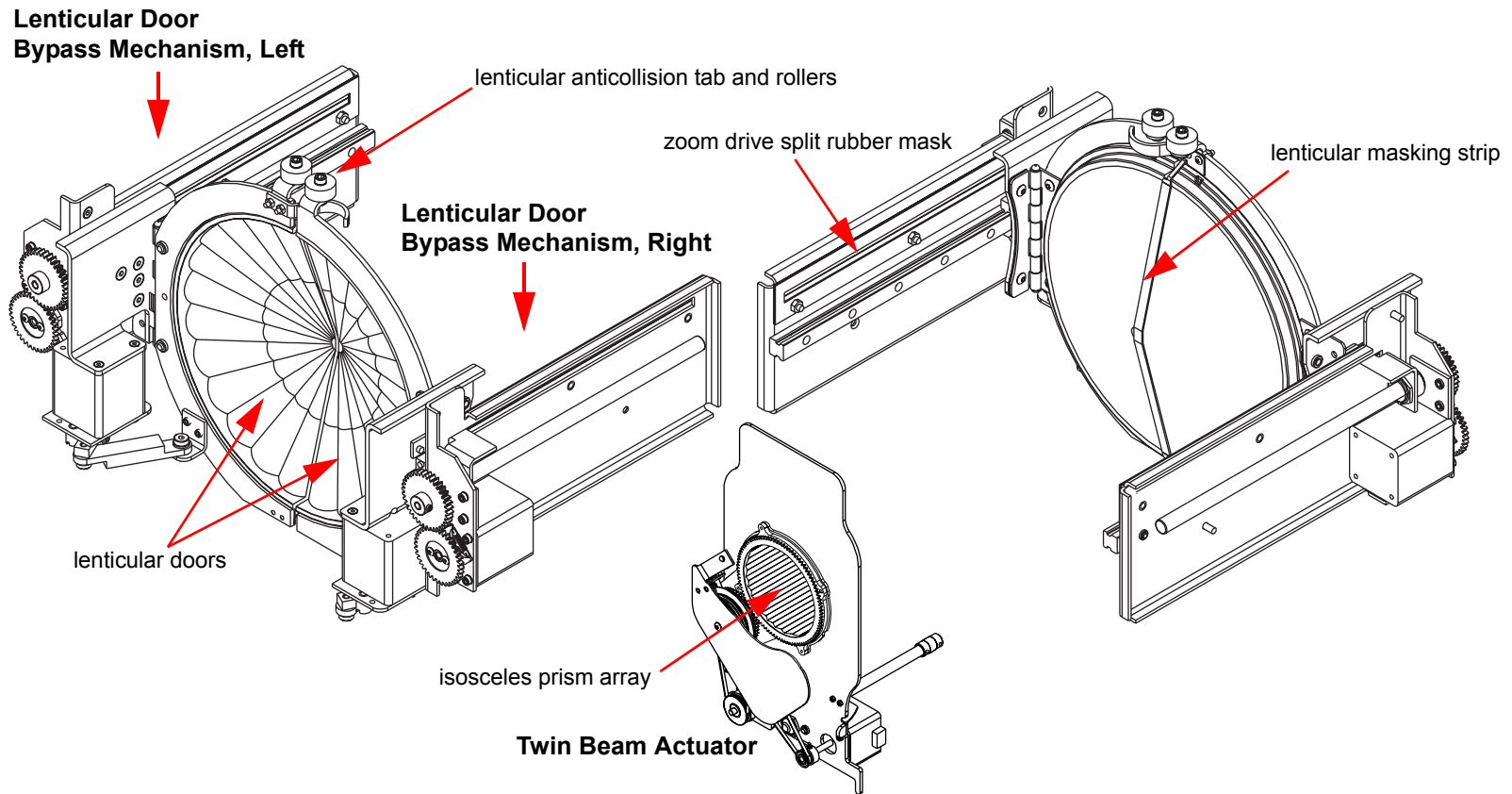


## SHOWBEAM™ Nomenclature



### Radial Lenticular Array Homogenizing Lens

The **radial lenticular array homogenizing lens** is composed of two **lenticular doors**. When the **lenticular doors** are closed, the **radial lenticular array homogenizing lens** travels along a **lenticular door bypass mechanism** track. The **lenticular anticollision tab and rollers** ensure smooth closing of the **lenticular doors**.

### Zoom Bypass

The **lenticular door bypass mechanisms** allow engagement of the twin beam actuator to create the twin beam effect with the isosceles prism array. When the **lenticular doors** are opened, they allow the **isosceles prism array** to create the **Twin Beam effect**.

### Twin Beam Effect

The **Twin Beam Actuator** moves the **isosceles prism array** into the light path. As the prism travels forward through the opened **lenticular doors**, the twin beams are controlled to deviate (move apart). Controlling the **Twin Beam rotator** adjusts the rotation of the Twin Beam.

### Split rubber mask

The **zoom drive split rubber mask** located in the **lenticular door bypass mechanism system** prevents light leaks as the **lenticular door** moves along the track.

### Lenticular Masking Strip

The **lenticular masking strip** prevents light leaking from the light path between the **lenticular doors**.