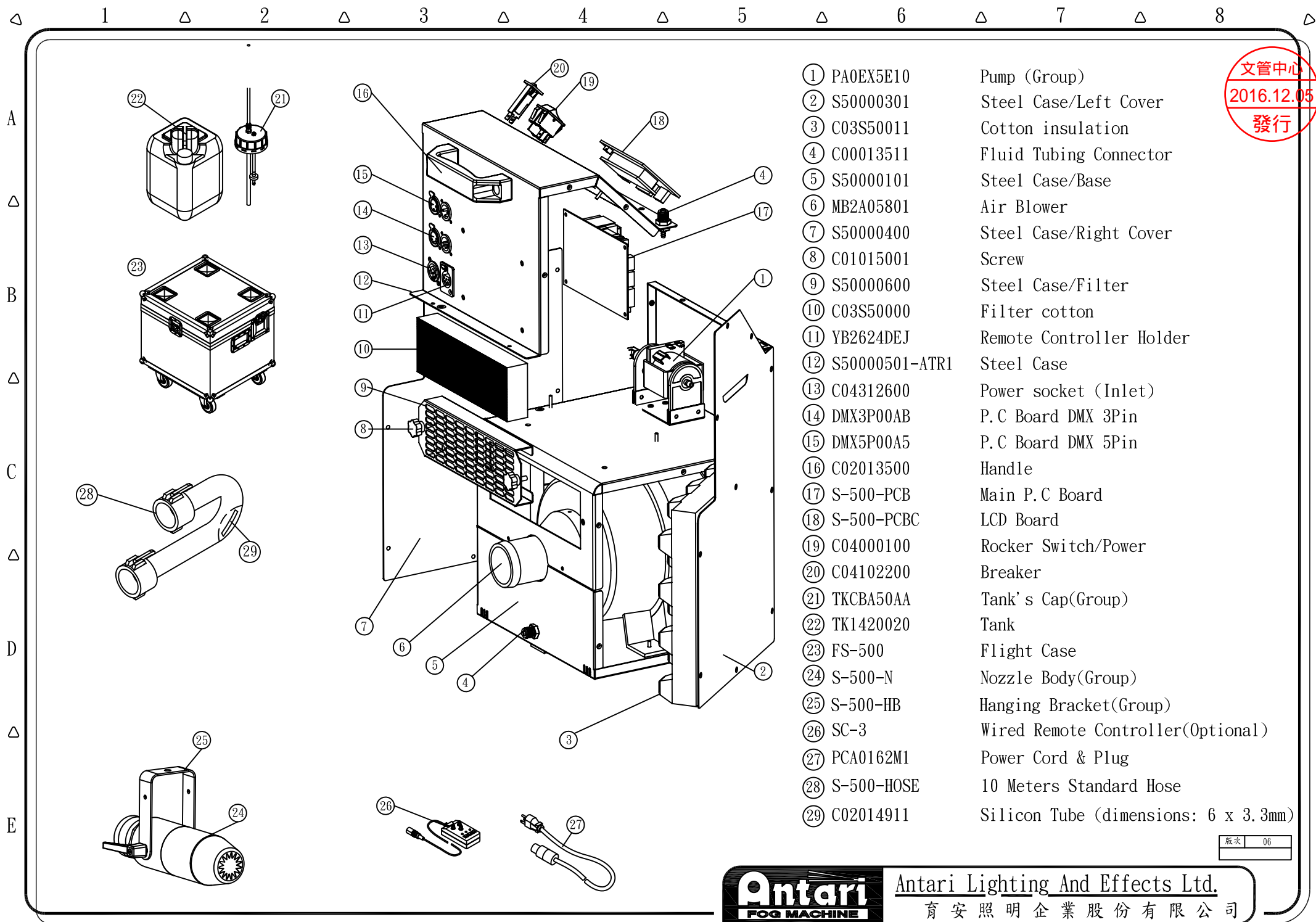


文管中心  
2016.12.05  
發行



- |                  |                                      |
|------------------|--------------------------------------|
| ① PA0EX5E10      | Pump (Group)                         |
| ② S50000301      | Steel Case/Left Cover                |
| ③ C03S50011      | Cotton insulation                    |
| ④ C00013511      | Fluid Tubing Connector               |
| ⑤ S50000101      | Steel Case/Base                      |
| ⑥ MB2A05801      | Air Blower                           |
| ⑦ S50000400      | Steel Case/Right Cover               |
| ⑧ C01015001      | Screw                                |
| ⑨ S50000600      | Steel Case/Filter                    |
| ⑩ C03S50000      | Filter cotton                        |
| ⑪ YB2624DEJ      | Remote Controller Holder             |
| ⑫ S50000501-ATR1 | Steel Case                           |
| ⑬ C04312600      | Power socket (Inlet)                 |
| ⑭ DMX3P00AB      | P.C Board DMX 3Pin                   |
| ⑮ DMX5P00A5      | P.C Board DMX 5Pin                   |
| ⑯ C02013500      | Handle                               |
| ⑰ S-500-PCB      | Main P.C Board                       |
| ⑱ S-500-PCBC     | LCD Board                            |
| ⑲ C04000100      | Rocker Switch/Power                  |
| ⑳ C04102200      | Breaker                              |
| ㉑ TKCBA50AA      | Tank's Cap(Group)                    |
| ㉒ TK1420020      | Tank                                 |
| ㉓ FS-500         | Flight Case                          |
| ㉔ S-500-N        | Nozzle Body(Group)                   |
| ㉕ S-500-HB       | Hanging Bracket(Group)               |
| ㉖ SC-3           | Wired Remote Controller(Optional)    |
| ㉗ PCA0162M1      | Power Cord & Plug                    |
| ㉘ S-500-HOSE     | 10 Meters Standard Hose              |
| ㉙ C02014911      | Silicon Tube (dimensions: 6 x 3.3mm) |

版次 06