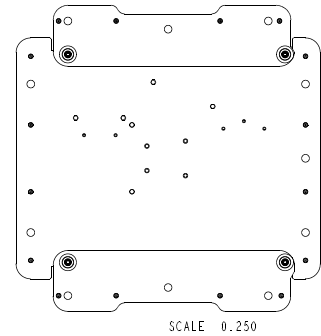
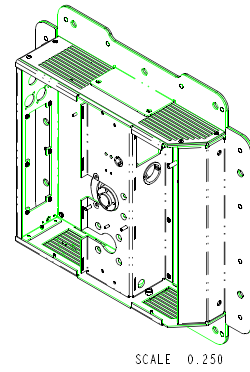
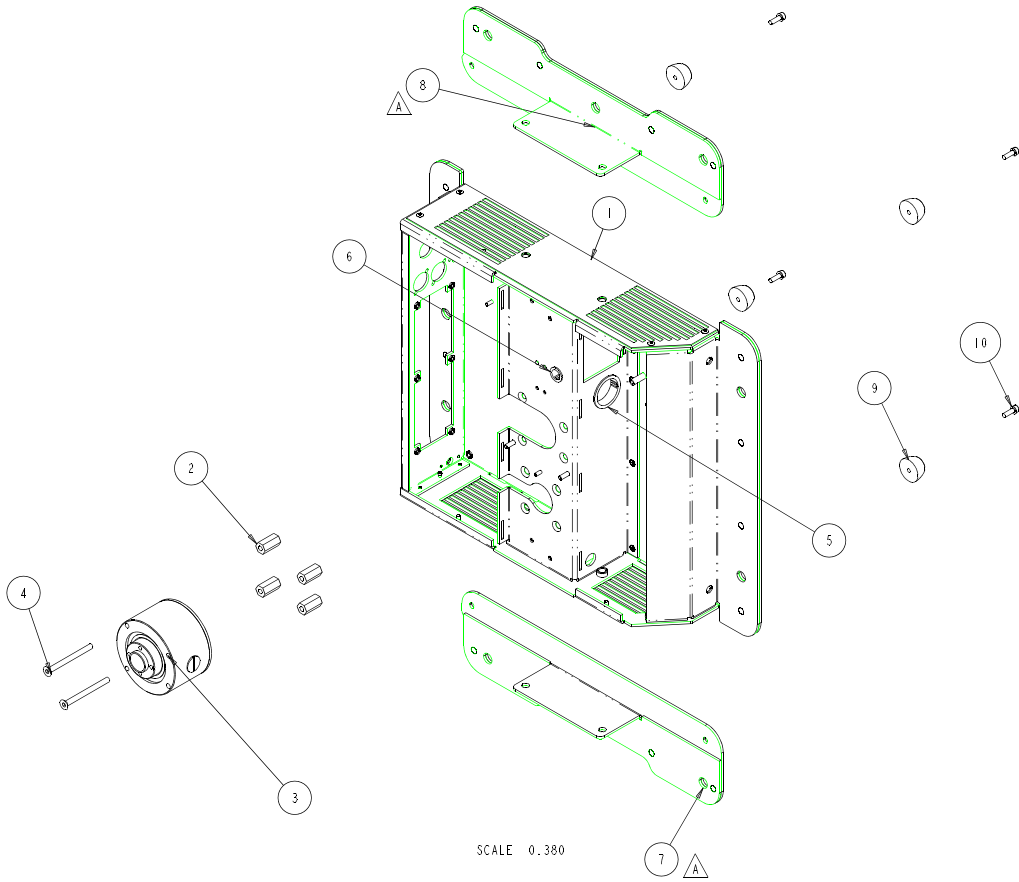


FSA024

REV.	DESCRIPTION	DATE	ENG	ECO #	APPR
-	RELEASE FOR PRODUCTION				
A	DELETE 2HOLE PANELS, ADD 3 HOLE PANELS	7JUNE01	VILLA	#731	LR

PART NO.	TORQUE SPEC	DESCRIPTION
90702192	20 IN-LBS	STANDOFF, PAN BEARING
91400670	75 IN-LBS	SCREW, M6 CSNK X 70mm LG



ITEM NO.	QTY.	FILENAME	PART NO.	DESCRIPTION
10	4	SCREWSAC16BZ	91000516	SCREW, M5 SOCKET CAP 16 BZ SEMS
9	4	RUBBER_FOOT	90410089	FOOT, RUBBER STC/NH LONG
8	1	FSA099	80071646	PANEL, ASSY RIVETED 3 HOLE, LEFT TOP BOX
7	1	FSA098	80071645	PANEL, ASSY RIVETED 3 HOLE RIGHT, TOP BOX
6	1	BUSHING500SNAP	90410102	GROMMET, SNAP BUSHING .50 ID
5	1	BUSHING-HEYCO-2240	90719046	BUSHING, 1.312 SNAP IN NYLON BLACK
4	2	SCREWM6AF70SBZ	91400670	SCREW, M6 SOCKET CSNK FLAT 70 BZ NYTEMP
3	1	FSA016	90719044	BEARING, ASSY PAN DRIVE, TOP BOX
2	4	90702192	90702192	STANDOFF, PAN BEARING SUPPORT, TOP BOX
1	1	FSA012	80450069	ASSY, RIVETED BASE TOP BOX

BILL OF MATERIALS

PROPRIETARY NOTICE:
 THIS DOCUMENT CONTAINS CONFIDENTIAL AND PROPRIETARY INFORMATION OF HIGH END SYSTEMS, INC., (ALSO DBA LIGHTWAVE RESEARCH) AND IS GIVEN TO THE RECEIVER IN CONFIDENCE. THE RECEIVER ACCEPTS AND AGREES THAT, EXCEPT AS AUTHORIZED BY HIGH END SYSTEMS, THE RECEIVER WILL NOT PERMIT THE USE OF THE DOCUMENT OR ANY COPY THEREOF OR THE INFORMATION THEREIN, WILL NOT COPY OR PERMIT COPYING THE DOCUMENT WILL NOT DISCLOSE TO OTHERS EITHER THE DOCUMENT OR THE INFORMATION THEREIN, AND WILL UPON COMPLETION OF THE NEED TO RETAIN THE DOCUMENT, OR UPON DEMAND, RETURN THE DOCUMENT WITHOUT RETAINING ANY OF THE INFORMATION CONTAINED THEREIN IN ANY FORM WHATSOEVER.

UNLESS OTHERWISE SPECIFIED	RELEASE DATE: MAY 11, 2001	CE:	High End	2209 WEST BRANER LANE AUSTIN, TEXAS 78758													
DIMENSIONAL TOLERANCES:	ENG: D. FRANKLIN	QA:		(512) 832-0363 FAX (512) 832-8542 http://www.highend.com													
0 PLACE DECIMAL = ±0.38	ME:	DRW: R. VILLARREAL															
1 PLACE DECIMAL = ±0.25	MFG:																
2 PLACE DECIMALS = ±0.13	DESCRIPTION: ASSY - SHEETMETAL-BEARING-CABLING, TOP BOX TURNKEY																
ANGLES = ±0.5°	MATERIAL: CHARTED																
FOR PAINTED PARTS REFER TO ENS. SPEC. MANUAL SOP-4.4.2	FINISH: NA																
MIN. DRAFT	INTERPRET DIMENSIONS PER ASME Y14.5M-1994																
MIN. RADI	THIRD ANGLE PROJECTION																
FLATNESS	DIMENSIONS ARE IN MILLIMETERS																
THICKNESS	<table border="0"> <tr> <td>SI</td> <td>PART NO.</td> <td>DRAWING NO.</td> <td>REV.</td> </tr> <tr> <td>METRIC</td> <td>80130021</td> <td>FSA024</td> <td>A</td> </tr> <tr> <td>A1</td> <td>DO NOT SCALE</td> <td>SCALE: 0.250</td> <td>SHEET: 1 OF 1</td> </tr> </table>					SI	PART NO.	DRAWING NO.	REV.	METRIC	80130021	FSA024	A	A1	DO NOT SCALE	SCALE: 0.250	SHEET: 1 OF 1
SI	PART NO.	DRAWING NO.	REV.														
METRIC	80130021	FSA024	A														
A1	DO NOT SCALE	SCALE: 0.250	SHEET: 1 OF 1														
VOLUME																	