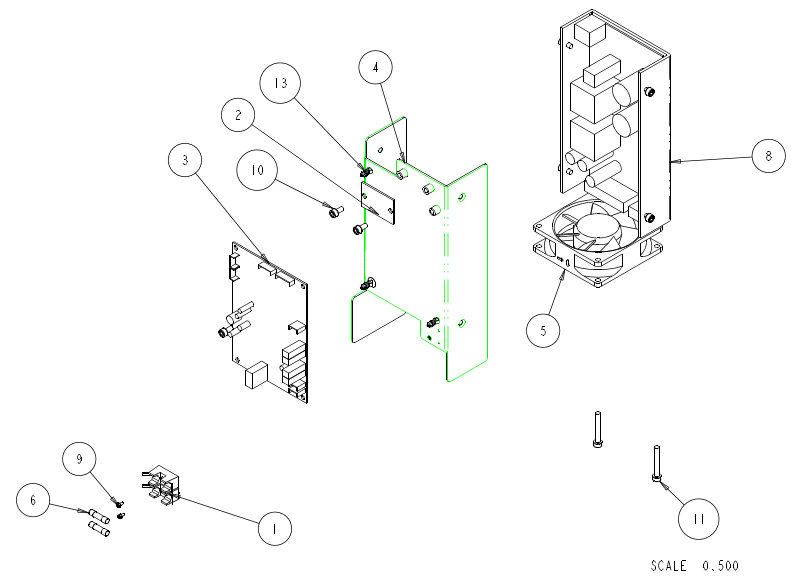
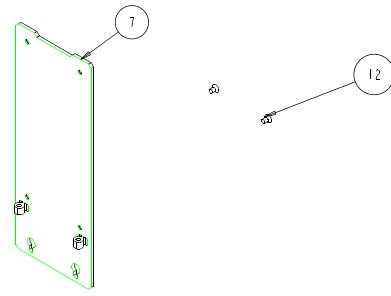
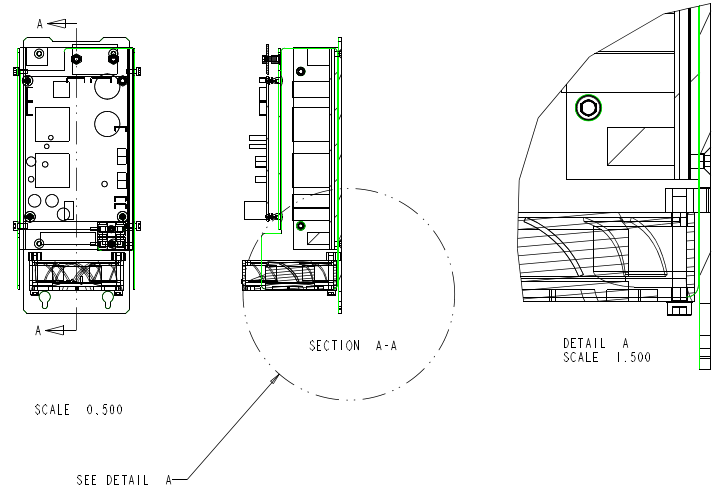


REV.	DESCRIPTION	DATE	ENG	ECO #	APPR



ITEM NO.	QTY.	FILENAME	PART NO.	DESCRIPTION
13	3	SUPPORT_RLCBSK-2-6-0	90702207	STANDOFF, PCB 2MM NYLON 6MM
12	4	SCREWM4AF6BZ	91040406	SCREW, M4 SOCKET CSNK FLAT 06 BZ NYTEMP
11	2	SCREWM4AC30BZ	91000430	SCREW, M4 SOCKET CAP 30 BZ SEMS
10	7	SCREWM4AC8SS	91100408	SCREW, M4 SOCKET CAP 08 SS SEMS
9	2	SCREWM2AC4BZ	91000204	SCREW, M2 SOCKETCAP 04 BZ SEMS
8	1	FS701	99070003	POWER SUPPLY, SWITCHING 40 V MOTOR W/PFC
7	1	FS118	99260345	MOUNT, MOTOR POWER SUPPLY TOP BOX
6	2	FUSE5X20_2-5	90403027	FUSE, 5 X 20 MM, SLO-BLO, CLEAR, 2.5 AMP 250 VOLTS
5	1	FS714	90605019	FAN, ASSY 80mm X 80mm 3 LEAD, SUNON X-SPOT\
4	1	FS117	99260347	BRACKET, PAN BOARD
3	1	FS708	80010135	BOARD, PAN AND TILT MOTOR DRIVER
2	1	FS719	80040024	BOARD ASSY, ME46 TEMP SENSOR
1	2	FUSE_HOLDER5X20	90412018	BLOCK, FUSE, SINGLE 5 X 20,

BILL OF MATERIALS

PROPRIETARY NOTICE:
 THIS DOCUMENT CONTAINS CONFIDENTIAL AND PROPRIETARY INFORMATION OF HIGH END SYSTEMS INC., (ALSO DBA LIGHTWAVE RESEARCH) AND IS GIVEN TO THE RECEIVER IN CONFIDENCE. THE RECEIVER ACCEPTS AND AGREES THAT, EXCEPT AS AUTHORIZED BY HIGH END SYSTEMS, THE RECEIVER WILL NOT PERMIT THE USE OF THE DOCUMENT OR ANY COPY THEREOF OR THE INFORMATION THEREIN, WILL NOT COPY OR PERMIT COPYING THE DOCUMENT WILL NOT DISCLOSE TO OTHERS EITHER THE DOCUMENT OR THE INFORMATION THEREIN, AND WILL UPON COMPLETION OF THE NEED TO RETAIN THE DOCUMENT, OR UPON DEMAND, RETURN THE DOCUMENT WITHOUT RETAINING ANY OF THE INFORMATION CONTAINED THEREIN IN ANY FORM WHATSOEVER.

UNLESS OTHERWISE SPECIFIED	RELEASE DATE:	CE:	2209 WEST BRANER LANE AUSTIN, TEXAS 78758 (512) 832-0363 FAX (512) 832-8542 ***** http://www.highend.com	LIGHTWAVE RESEARCH
DIMENSIONAL TOLERANCES:	ENG:	QA:		
0 PLACE DECIMAL = ±0.38	ME:	DRW: R. VILLARREAL		
1 PLACE DECIMAL = ±0.25	MFG:			
2 PLACE DECIMALS = ±0.13	DESCRIPTION: POWER SUPPLY, ASSY MODULE TOP BOX X-SPOT	MATERIAL: CHARTED	FINISH: NA	
ANGLES = ±0.5°	FOR PAINTED PARTS REFER TO ENS. SPEC. MANUAL SOP-4.4.2			
MIN. DRAFT				
MIN. RADI	INTERPRET DIMENSIONS PER ASME Y14.5M-1994			
FLATNESS	THIRD ANGLE PROJECTION			
THICKNESS	DIMENSIONS ARE IN MILLIMETERS			
VOLUME				

PART NO. - DRAWING NO. FSA023 REV. 1

DO NOT SCALE SCALE: 1,000 SHEET: 1 OF 1