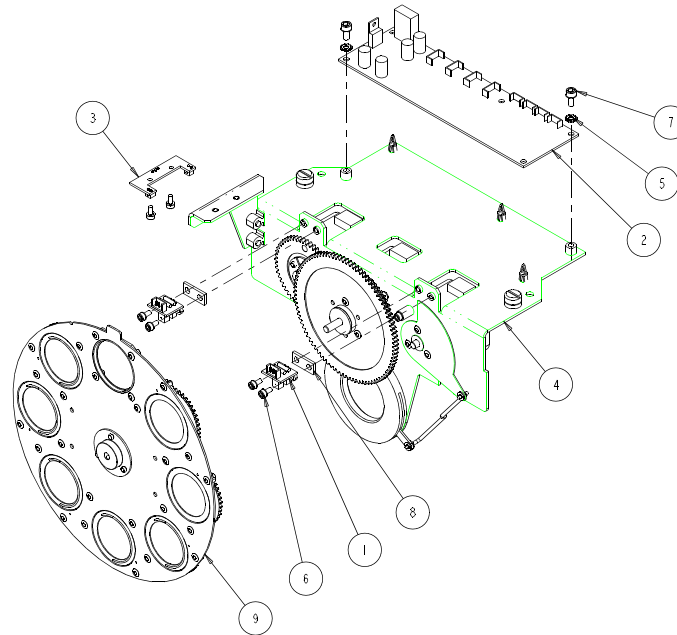
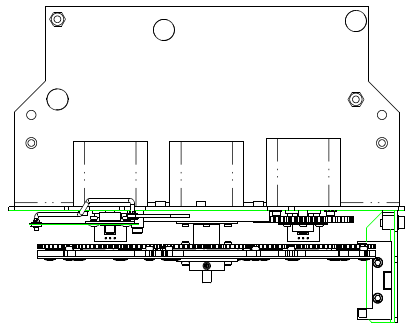


SCALE 0.750



SCALE 0.630



ITEM NO.	QTY.	FILENAME	PART NO.	DESCRIPTION
10	1	FS755	90409084	HARNES, LITHO / IRIS X-SPOT
9	1	FSA055	80200035	WHEEL, ASSY ROTATING LITHO W/GLASS X-SPOT
8	2	FS165	90702210	SHIM, OPTICAL SENSOR
7	2	SCREWM4AC8SS	91100408	SCREW, M4 SOCKET CAP 08 SS SEMS
6	6	SCREWM3AC6BZ	91000306	SCREW, M3 SOCKET CAP 06 BZ SEMS
5	2	WASHER6LET	90706006	LOCK WASHER, #6 EXTERNAL TOOTH
4	1	FSA047	80200037	DRIVE, ASSY LITHO / IRIS X-SPOT TURNKEY
3	1	CT413	80040021	BOARD, SENSOR MINIATURE ASSY COLOR PRO HX
2	1	FS711	80010131	BOARD, ASSY MOTOR DRIVER MODULE 3773
1	2	FS709	80040022	BOARD, ASSY ME46 FLAG HOMING SENSOR

BILL OF MATERIALS

PROPRIETARY NOTICE:

THIS DOCUMENT CONTAINS CONFIDENTIAL AND PROPRIETARY INFORMATION OF HIGH END SYSTEMS, INC., (ALSO DBA LIGHTWAVE RESEARCH) AND IS GIVEN TO THE RECEIVER IN CONFIDENCE. THE RECEIVER ACCEPTS AND AGREES THAT, EXCEPT AS AUTHORIZED BY HIGH END SYSTEMS, THE RECEIVER WILL NOT PERMIT THE USE OF THE DOCUMENT OR ANY COPY THEREOF OR THE INFORMATION THEREIN, WILL NOT COPY OR PERMIT COPYING THE DOCUMENT WILL NOT DISCLOSE TO OTHERS EITHER THE DOCUMENT OR THE INFORMATION THEREIN, AND WILL UPON COMPLETION OF THE NEED TO RETAIN THE DOCUMENT, OR UPON DEMAND, RETURN THE DOCUMENT WITHOUT RETAINING ANY OF THE INFORMATION CONTAINED THEREIN IN ANY FORM WHATSOEVER.

UNLESS OTHERWISE SPECIFIED	RELEASE DATE: APRIL 29, 2001	CE:	 2209 WEST BRANER LANE AUSTIN, TEXAS 78758 (512) 832-0363 FAX (512) 832-8542 ***** http://www.highend.com	
DIMENSIONAL TOLERANCES:	ENG: D FRANKLIN	QA:		
0 PLACE DECIMAL = ±0.38	ME:	DRW: L ROESSLER		
1 PLACE DECIMAL = ±0.25	MFG:			
2 PLACE DECIMALS = ±0.13	ANGLES = ±0.5°			
FOR PAINTED PARTS REFER TO	DESCRIPTION:	MODULE, ASSY LITHO / IRIS X-SPOT		
ENS. SPEC. MANUAL SOP-4.4.2	MATERIAL:	CHARTED		
MIN. DRAFT	FINISH:	NA		
MIN. RADI	INTERPRET DIMENSIONS PER	ASME Y14.5M-1994		
FLATNESS	THIRD ANGLE PROJECTION	DIMENSIONS ARE IN MILLIMETERS		
THICKNESS	SI METRIC A1	PART NO.	DRAWING NO.	
VOLUME		80200039	FSA077	
		DO NOT SCALE	SCALE: 0.630	SHEET: 1 OF 1