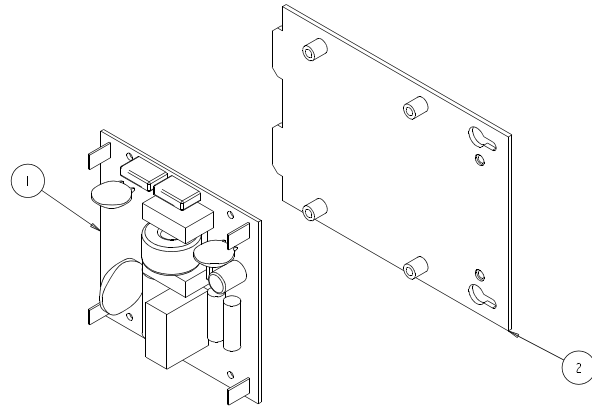


FSA019

REV.	DESCRIPTION	DATE	ENG	ECO #	APPR



ITEM NO.	QTY.	FILENAME	PART NO.	DESCRIPTION
2	1	FS107	99260355	MOUNT. IGNITER BOARD TOP BOX
1	1	FS705	80060006	BOARD, ASSY IGNITOR

BILL OF MATERIALS

UNLESS OTHERWISE SPECIFIED		RELEASE DATE:	CE:	 2209 WEST BRANER LANE AUSTIN, TEXAS 78758 (512) 832-0363 FAX (512) 832-8542 ***** http://www.highend.com	
DIMENSIONAL TOLERANCES:		ENG:	QA:		
1 PLACE DECIMALS = ± 0.38		ME:	MFG:		
2 PLACE DECIMALS = ± 0.25		DRW: RUBEN V			
3 PLACE DECIMALS = ± 0.13					
ANGLES = ± .5 DEG					
FOR PAINTED PARTS REFER TO		DESCRIPTION:			
ENG. SPEC. MANUAL SOP-4.04.2		IGNITER BOARD ASSY, TOP BOX X-SPOT			
MIN. DRAFT		MATERIAL:		FINISH:	
		CHARTED		NA	
MIN. RADI		INTERPRET DIMENSIONS PER		PART NO.	
		ANSI Y14.5M-1994		FSA019	
FLATNESS		THIRD ANGLE PROJECTION		REV. 2	
THICKNESS		DIMENSIONS ARE IN MILLIMETERS			
VOLUME		SI METRIC A1		DO NOT SCALE SCALE: 1,000 SHEET: 1 OF 1	

PROPRIETARY NOTICE:

THIS DOCUMENT CONTAINS CONFIDENTIAL AND PROPRIETARY INFORMATION OF HIGH END SYSTEMS INC., (ALSO DBA LIGHTWAVE RESEARCH) AND IS GIVEN TO THE RECEIVER IN CONFIDENCE. THE RECEIVER ACCEPTS AND AGREES THAT, EXCEPT AS AUTHORIZED BY HIGH END SYSTEMS, THE RECEIVER WILL NOT PERMIT THE USE OF THE DOCUMENT OR ANY COPY THEREOF OR THE INFORMATION THEREIN, WILL NOT COPY OR PERMIT COPYING THE DOCUMENT WILL NOT DISCLOSE TO OTHERS EITHER THE DOCUMENT OR THE INFORMATION THEREIN, AND WILL UPON COMPLETION OF THE NEED TO RETAIN THE DOCUMENT, OR UPON DEMAND, RETURN THE DOCUMENT WITHOUT RETAINING ANY OF THE INFORMATION CONTAINED THEREIN IN ANY FORM WHATSOEVER.