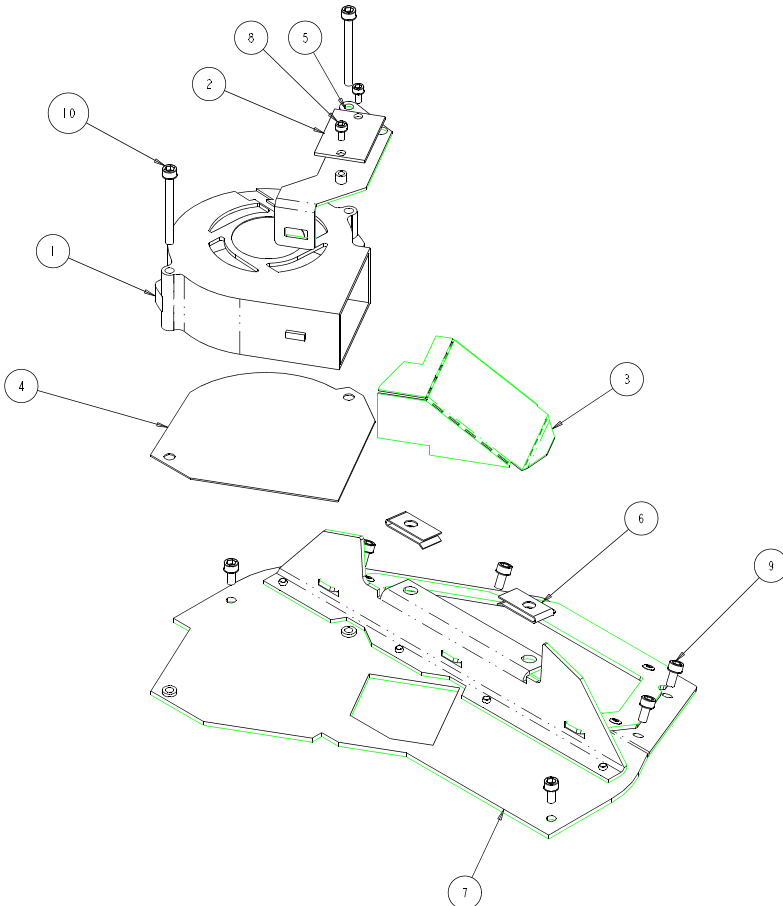




REV.	DESCRIPTION	DATE	ENG	ECO #	APPR



ITEM NO.	QTY.	FILENAME	PART NO.	DESCRIPTION
10	2	SCREW4AC40BZ	91000440	SCREW, M4 SOCKET CAP 40 BZ SEMS
9	6	SCREW4AC8SS	91100408	SCREW, M4 SOCKET CAP 08 SS SEMS
8	2	SCREW3AC6BZ	91000306	SCREW, M3 SOCKET CAP 06 BZ SEMS
7	1	FSA090	99020077	SCREEN ASSY, REAR HEAD X-SPOT
6	2	RECEPT250CLIP-ON-U-TYPE	90701294	RECEPTICLE, CLIP-ON FLANGE U-TYPE
5	1	FS191	99080166	MOUNT, TEMP SENSOR BLOWER X-SPOT
4	1	FS539	90411061	INSULATOR, BLOWER, REAR HEAD X-SPOT
3	1	FS178	80071616	DUCT, REAR AIR INLET, HEAD
2	1	FS719	80040024	BOARD ASSY, ME46 TEMP SENSOR
1	1	FS710	90605017	BLOWER, DELTA FAN

BILL OF MATERIALS

PROPRIETARY NOTICE:
 THIS DOCUMENT CONTAINS CONFIDENTIAL AND PROPRIETARY INFORMATION OF HIGH END SYSTEMS, INC., (ALSO DBA LIGHTWAVE RESEARCH) AND IS GIVEN TO THE RECEIVER IN CONFIDENCE. THE RECEIVER ACCEPTS AND AGREES THAT, EXCEPT AS AUTHORIZED BY HIGH END SYSTEMS, THE RECEIVER WILL NOT PERMIT THE USE OF THE DOCUMENT OR ANY COPY THEREOF OR THE INFORMATION THEREIN, WILL NOT COPY OR PERMIT COPYING THE DOCUMENT WILL NOT DISCLOSE TO OTHERS EITHER THE DOCUMENT OR THE INFORMATION THEREIN, AND WILL UPON COMPLETION OF THE NEED TO RETAIN THE DOCUMENT, OR UPON DEMAND, RETURN THE DOCUMENT WITHOUT RETAINING ANY OF THE INFORMATION CONTAINED THEREIN IN ANY FORM WHATSOEVER.

UNLESS OTHERWISE SPECIFIED	RELEASE DATE:	CE:	 2209 WEST BRANER LANE AUSTIN, TEXAS 78758 (512) 832-0363 FAX (512) 832-8542 http://www.highend.com	 LIGHTWAVE RESEARCH
DIMENSIONAL TOLERANCES:	ENG:	QA:		
0 PLACE DECIMAL = ±0.38	ME:	DRW: L ROESSLER		
1 PLACE DECIMAL = ±0.25	MFG:			
2 PLACE DECIMALS = ±0.13	ANGLES = ±0.5°	DESCRIPTION:	BLOWER MODULE, HEAD X-SPOT	
FOR PAINTED PARTS REFER TO	ENS. SPEC. MANUAL SOP-4.4.2	MATERIAL:	FINISH:	
MIN. DRAFT		CHARTED	NA	
MIN. RADI		INTERPRET DIMENSIONS PER	PART NO.	DRAWING NO.
FLATNESS		ASME Y14.5M-1994	FSA011	FSA011
THICKNESS		THIRD ANGLE PROJECTION	DO NOT SCALE	SCALE: 0.800
VOLUME		DIMENSIONS ARE IN MILLIMETERS		SHEET: 1 OF 1

REV. 3