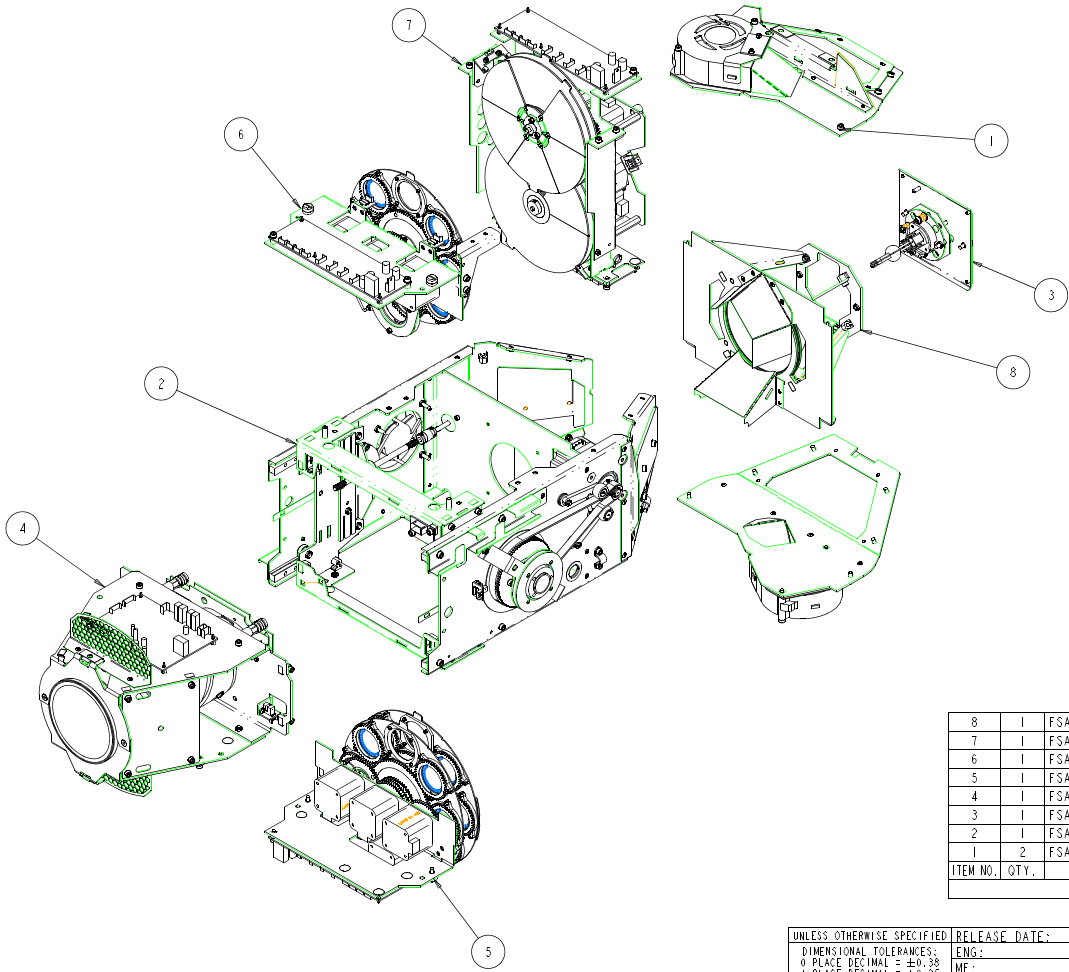


REV.	DESCRIPTION	DATE	ENG	ECO #	APPR



ITEM NO.	QTY.	FILENAME	PART NO.	DESCRIPTION
8	1	FSA007	80240011	REFLECTOR, ASSY MOUNTING X-SPOT
7	1	FSA008	80200044	MODULE, COLORMIX WHEEL ASSY, X-SPOT
6	1	FSA077	80200039	MODULE, ASSY LITHO / TRIS X-SPOT
5	1	FSA078	80200038	MODULE, ASSY DUAL LITHO X-SPOT
4	1	FSA010		MODULE, ASSY LENS / FROST, X-SPOT
3	1	FSA072	80300015	LAMP, ASSY X-SPOT
2	1	FSA006		FRAME, ASSY TOP LEVEL X-SPOT
1	2	FSA011		BLOWER MODULE, HEAD X-SPOT

BILL OF MATERIALS

**PROPRIETARY NOTICE:**  
 THIS DOCUMENT CONTAINS CONFIDENTIAL AND PROPRIETARY INFORMATION OF HIGH END SYSTEMS, INC., (ALSO DBA LIGHTWAVE RESEARCH) AND IS GIVEN TO THE RECEIVER IN CONFIDENCE. THE RECEIVER ACCEPTS AND AGREES THAT, EXCEPT AS AUTHORIZED BY HIGH END SYSTEMS, THE RECEIVER WILL NOT PERMIT THE USE OF THE DOCUMENT OR ANY COPY THEREOF OR THE INFORMATION THEREIN, WILL NOT COPY OR PERMIT COPYING THE DOCUMENT WILL NOT DISCLOSE TO OTHERS EITHER THE DOCUMENT OR THE INFORMATION THEREIN, AND WILL UPON COMPLETION OF THE NEED TO RETAIN THE DOCUMENT, OR UPON DEMAND, RETURN THE DOCUMENT WITHOUT RETAINING ANY OF THE INFORMATION CONTAINED THEREIN IN ANY FORM WHATSOEVER.

UNLESS OTHERWISE SPECIFIED	RELEASE DATE:	CE:	2209 WEST BRANER LANE AUSTIN, TEXAS 78758 (512) 832-0363 FAX (512) 832-8542 ***** <a href="http://www.highend.com">http://www.highend.com</a>	LIGHTWAVE RESEARCH
DIMENSIONAL TOLERANCES:	ENG:	QA:		
0 PLACE DECIMAL = ±0.38	ME:	DRW: L ROESSLER		
1 PLACE DECIMAL = ±0.25	MFG:			
2 PLACE DECIMALS = ±0.13	DESCRIPTION:	HEAD, ASSY TOP LEVEL X-SPOT		
ANGLES = ±0.5°	FOR PAINTED PARTS REFER TO	FINISH:		
	ENS. SPEC. MANUAL SOP-4.4.2	NA		
MIN. DRAFT	MIN. RADI	INTERPRET DIMENSIONS PER	PART NO.	DRAWING NO.
		ASME Y14.5M-1994	-	FSA005
		THIRD ANGLE PROJECTION		REV.
		DIMENSIONS ARE IN MILLIMETERS		1
VOLUME		SI METRIC A1	DO NOT SCALE	SCALE: 0.375
				SHEET: 1 OF 1