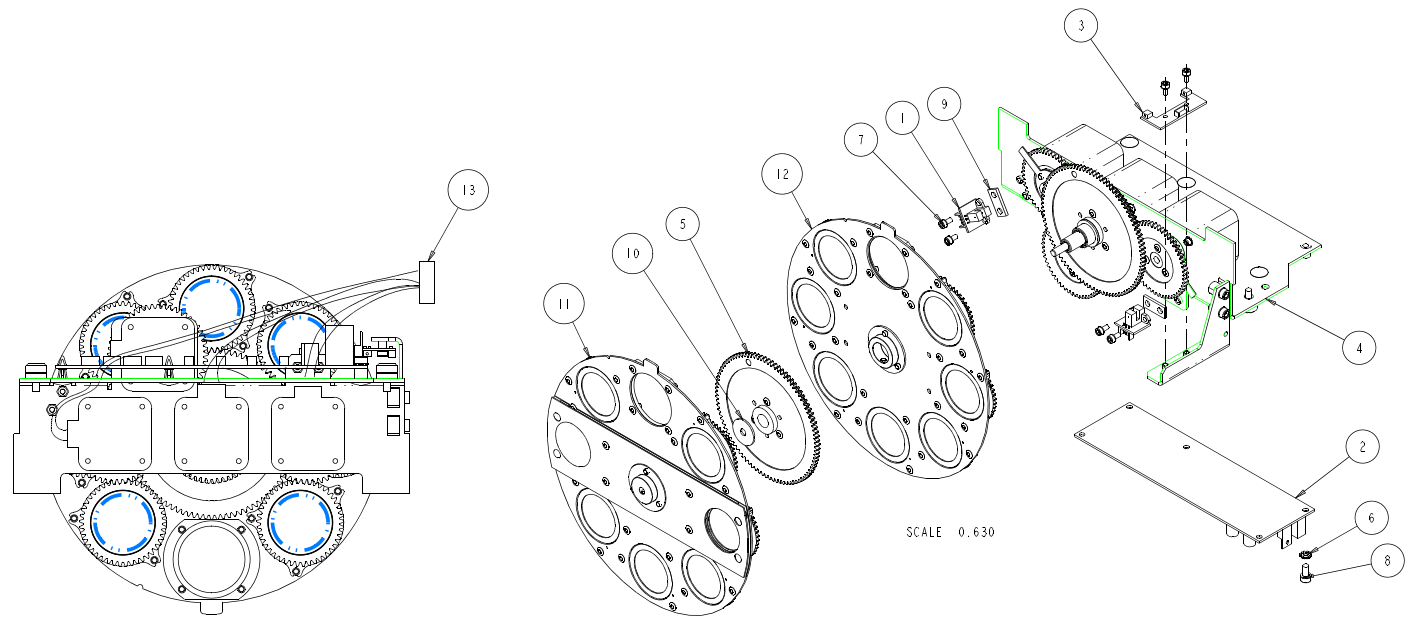
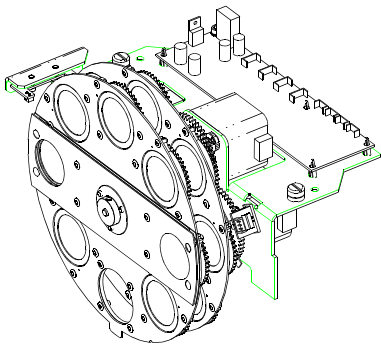
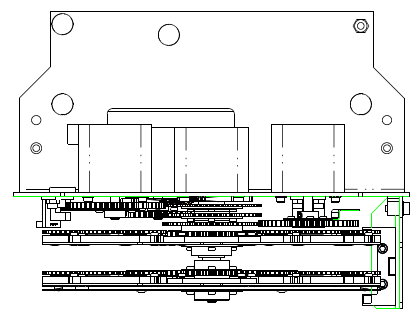


| REV. | DESCRIPTION | DATE | ENG | ECO # | APPR |
|------|-------------------------|------|-----|-------|------|
| - | RELEASED FOR PRODUCTION | | | | |



SCALE 0.630



SCALE 0.630

| ITEM NO. | QTY. | FILENAME | PART NO. | DESCRIPTION |
|----------|------|--------------|----------|---|
| 13 | 1 | FS756 | 90409083 | HARNES DUAL LITHO X-SPOT |
| 12 | 1 | FSA050 | 80200034 | WHEEL, ASSY LITHO / EFFECTS W/GLASS X-SPOT |
| 11 | 1 | FSA045 | 80200036 | WHEEL, ASSY LITHO UPPER STATIC W/GLASS XSPT |
| 10 | 1 | FS221 | 90706124 | WASHER, THRUST, 5.2 X 20.0 X 1.27 |
| 9 | 2 | FS165 | 90702210 | SHIM, OPTICAL SENSOR |
| 8 | 1 | SCREWM4AC8SS | 91100408 | SCREW, M4 SOCKET CAP 08 SS SEMS |
| 7 | 6 | SCREWM3AC6BZ | 91000306 | SCREW, M3 SOCKET CAP 06 BZ SEMS |
| 6 | 1 | WASHER6LET | 90706006 | LOCK WASHER, #6 EXTERNAL TOOTH |
| 5 | 1 | FSA056 | 99430078 | GEAR, ASSY 90 TOOTH LITHO SUN DRIVE |
| 4 | 1 | FSA046 | 80460001 | DRIVE ASSY, EFFECTS MODULE, ME46, TURNKEY |
| 3 | 1 | CT413 | 80040021 | BOARD, SENSOR MINIATURE ASSY COLOR PRO HX |
| 2 | 1 | FS711 | 80010131 | BOARD, ASSY MOTOR DRIVER MODULE 3773 |
| 1 | 2 | FS709 | 80040022 | BOARD, ASSY ME46 FLAG HOMING SENSOR |

BILL OF MATERIALS

| | | | | |
|---|--|-------------------------------|--|-----------------------|
| UNLESS OTHERWISE SPECIFIED DIMENSIONAL TOLERANCES: 0 PLACE DECIMAL = ±0.38 1 PLACE DECIMAL = ±0.25 2 PLACE DECIMALS = ±0.13 ANGLES = ±0.5° | RELEASE DATE: APRIL 29, 2001 ENG: D FRANKLIN ME: MFG: DRAW: L ROESSLER | CE: QA: DRW: L ROESSLER | 2209 WEST BRANER LANE AUSTIN, TEXAS 78758 (512) 832-0363 FAX (512) 832-8542 http://www.highend.com | LIGHTWAVE RESEARCH |
| FOR PAINTED PARTS REFER TO ENS. SPEC. MANUAL SOP-4.4.2 | DESCRIPTION: MODULE, ASSY DUAL LITHO X-SPOT | FINISH: NA | INTERPRET DIMENSIONS PER ASME Y14.5M-1994 THIRD ANGLE PROJECTION DIMENSIONS ARE IN MILLIMETERS | |
| MIN. DRAFT | MATERIAL: CHARTED | SI METRIC A1 | | |
| MIN. RADII | PART NO. 80200038 | | | DRAWING NO. FSA078 |
| FLATNESS | DO NOT SCALE | | | SCALE: 0.750 |
| THICKNESS | SHEET: 1 OF 1 | | | REV. - |
| VOLUME | | | | |

PROPRIETARY NOTICE:
 THIS DOCUMENT CONTAINS CONFIDENTIAL AND PROPRIETARY INFORMATION OF HIGH END SYSTEMS, INC., (ALSO DBA LIGHTWAVE RESEARCH) AND IS GIVEN TO THE RECEIVER IN CONFIDENCE. THE RECEIVER ACCEPTS AND AGREES THAT, EXCEPT AS AUTHORIZED BY HIGH END SYSTEMS, THE RECEIVER WILL NOT PERMIT THE USE OF THE DOCUMENT OR ANY COPY THEREOF OR THE INFORMATION THEREIN, WILL NOT COPY OR PERMIT COPYING THE DOCUMENT WILL NOT DISCLOSE TO OTHERS EITHER THE DOCUMENT OR THE INFORMATION THEREIN, AND WILL UPON COMPLETION OF THE NEED TO RETAIN THE DOCUMENT, UPON DEMAND, RETURN THE DOCUMENT WITHOUT RETAINING ANY OF THE INFORMATION CONTAINED THEREIN IN ANY FORM WHATSOEVER.