

REVISION HISTORY

SCH REV	PCB REV	ECO NO.	DATE	COMMENT
- 1.0	- 1.0	-		
1.0.4	1.0	1019	6-25-02	Change U1 to B0440049 Ver 2 firmware

NOTES:

UNLESS OTHERWISE SPECIFIED:

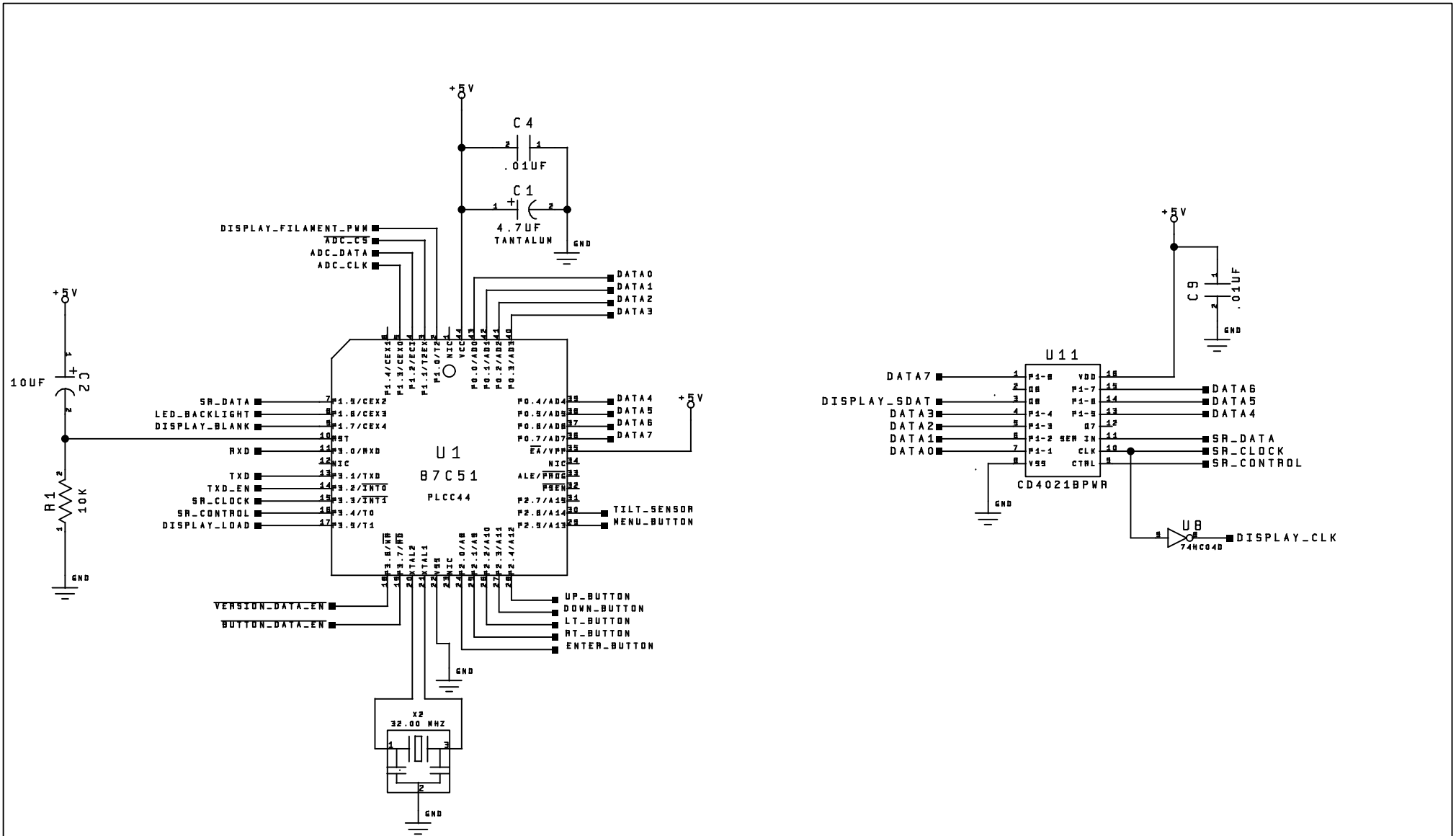
1. ALL RESISTOR VALUES ARE IN OHMS
2. ALL RESISTORS ARE 1/8 WATT 5% OR BETTER
3. CAPACITOR VALUES ARE IN PICO FARADS
4. ALL NON POLARIZED CAPACITORS ARE 50V OR BETTER
VALUES BELOW 470pF ARE NPO/COG TYPE 5%
VALUES 470pF TO 1000pF ARE X7R 10%
VALUES ABOVE 1000pF ARE Z5U +/- 20 %
5. ALL POLARIZED CAPACITORS ARE 20% OR BETTER

Copyright (c) 1994–2001 High End Systems, Inc. All rights reserved worldwide.

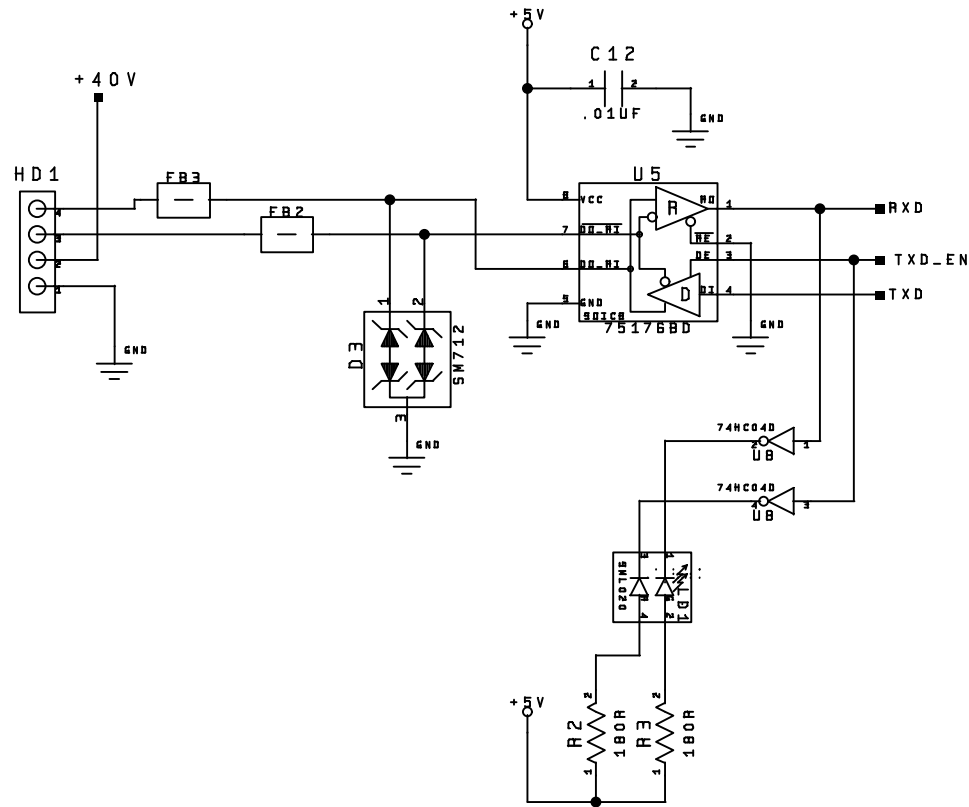
HES , Lightwave Research, the Lightwave Research logo, High End Systems and the High End Systems logo are registered trademarks of High End Systems, Inc. Trademarks and trade names of others may be used in this document to refer to either such other entities or to their products. High End Systems Inc. disclaims any proprietary interest or connection to such marks or entities.

HIGH END SYSTEMS INC.			
Title:		DISPLAY VFD MODULE	
Function:		123R104	
Drawing No.	REV.	Designed:	
SCH-99030123	1.0.4	Scott Ingham	
Drawn:		Approved:	
DRAWER			
6-25-2002_15:22	Size A2	Page 1	OF 7



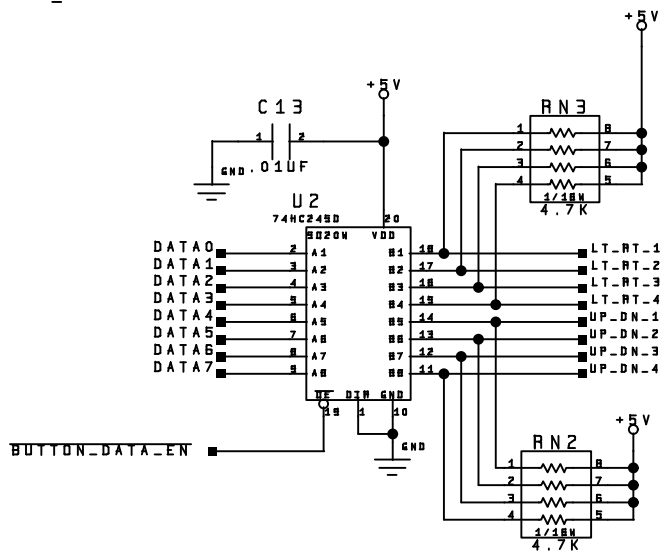
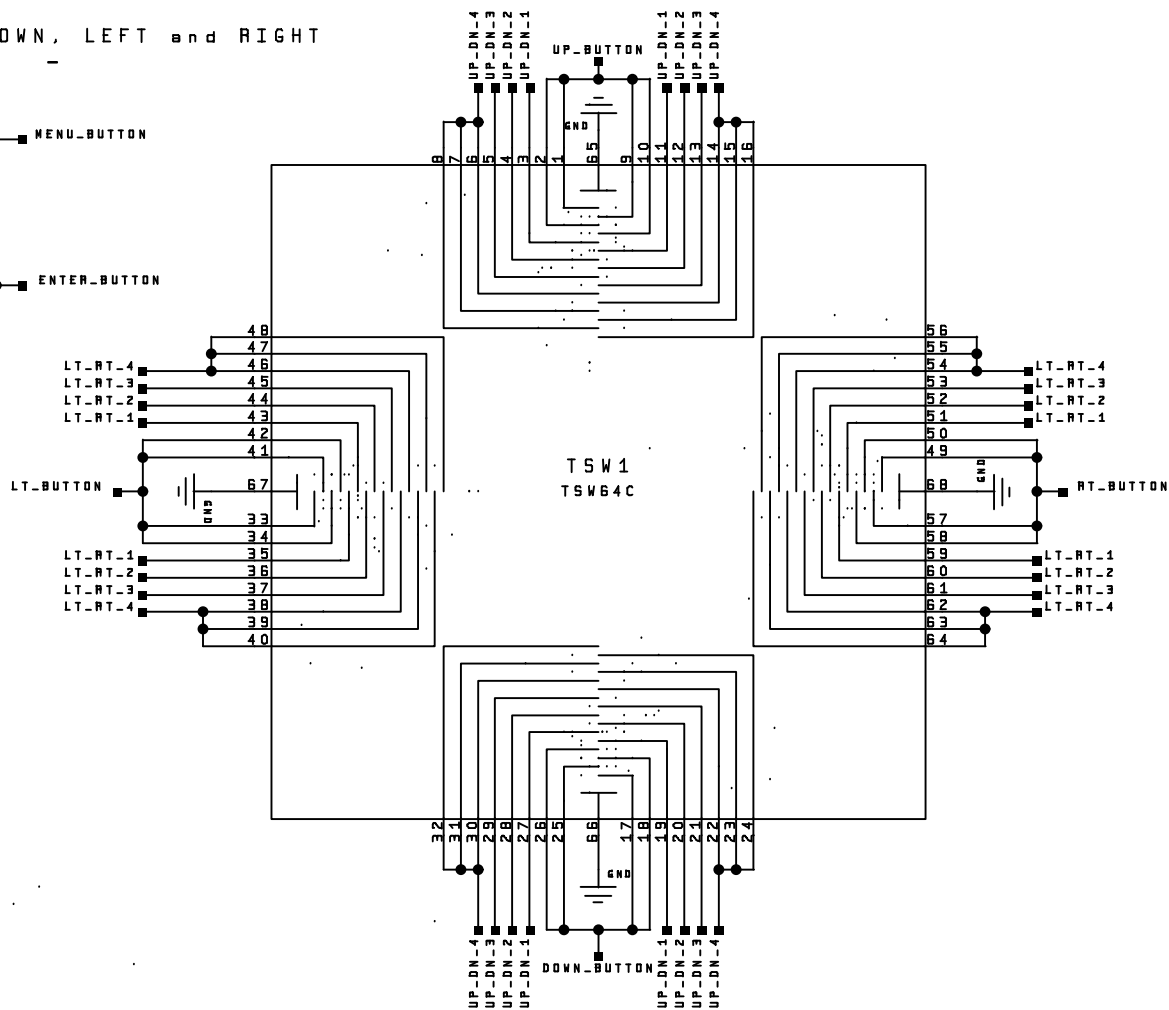
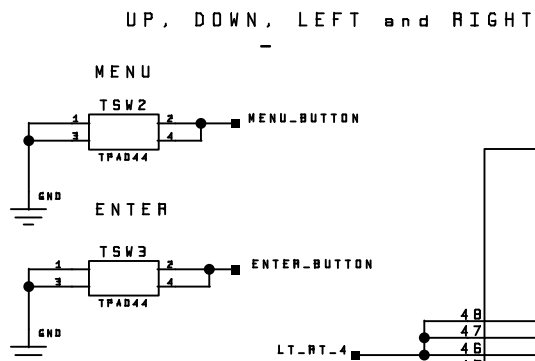
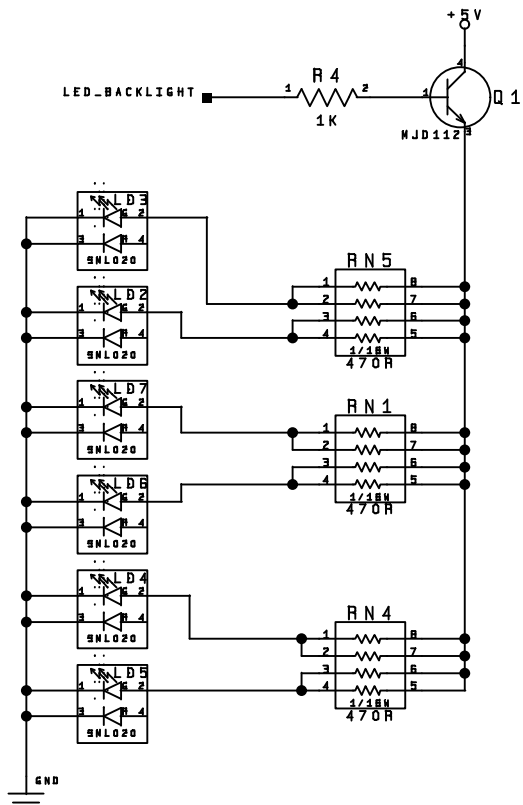


HIGH END SYSTEMS INC.			
Title:		DISPLAY VFD MODULE	
Function:		CPU	123R104
Drawing No.	REV.	Size	6-25-2002_15:22
SCH-99030123	1.0.4	A2	Page 2 of 7

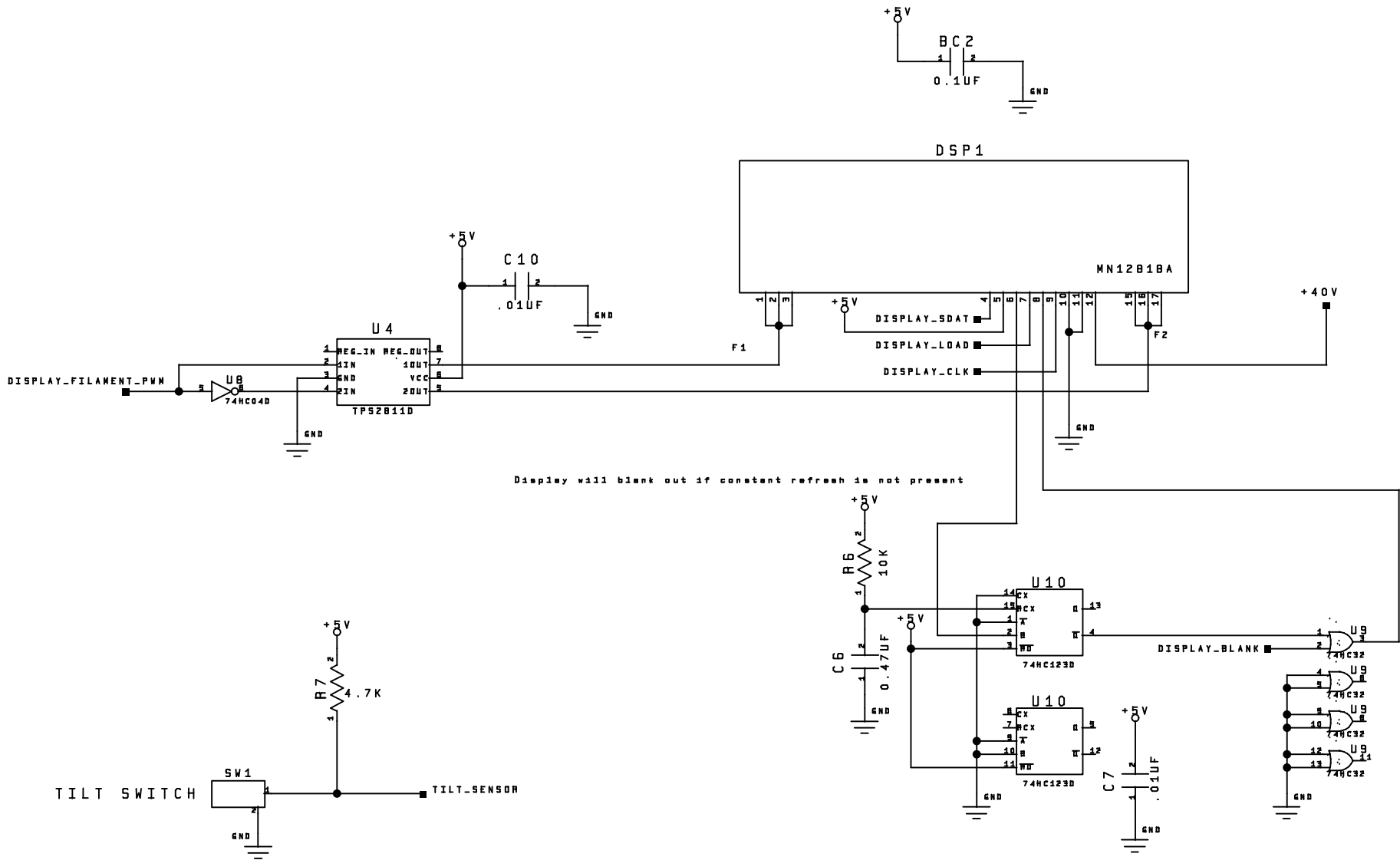


HIGH END SYSTEMS INC.			
Title:		DISPLAY VFD MODULE	
Function:		FPGA 1	123R104
Drawing No.	REV.	Size	6-25-2002_15.22
SCH-99030123	1.0.4	A2	Page 3 of 7



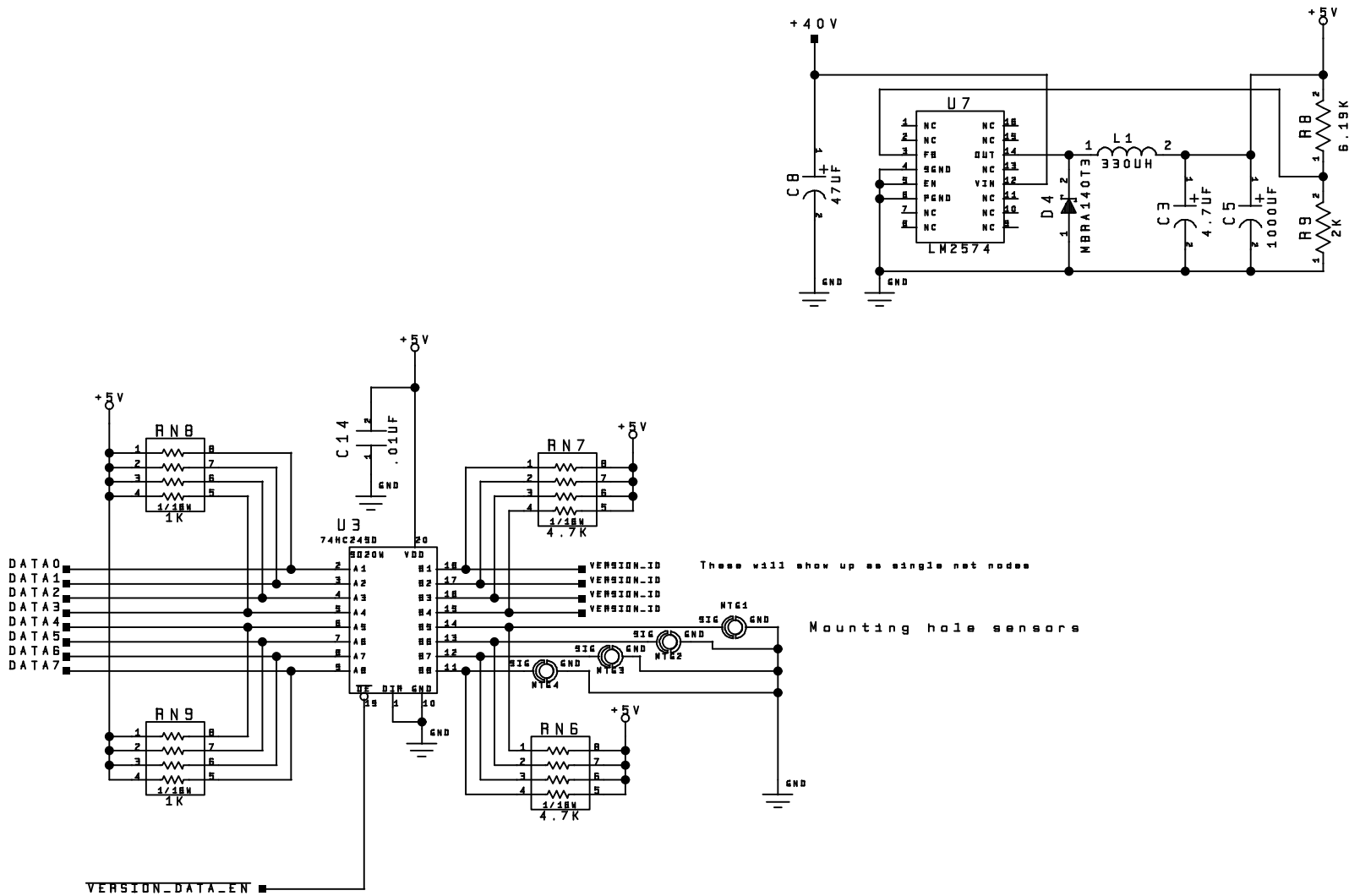


HIGH END SYSTEMS INC.			
Title:		DISPLAY VFD MODULE	
Function:		FRONT PANEL SWITCHES 123R104	
Drawing No.	REV.	Size	6-25-2002-15.22
SCH-99030123	1.0.4	A2	Page 4 of 7



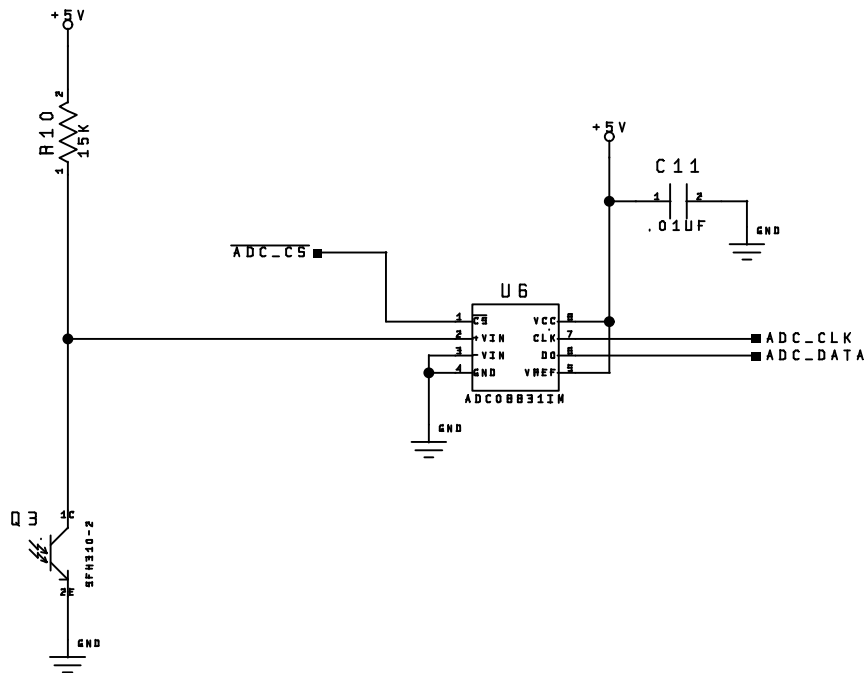
HIGH END SYSTEMS INC.			
Title:		DISPLAY VFD MODULE	
Function:		DISPLAY	123R104
Drawing No.	REV.	Size	6-25-2002_15.22
SCH-99030123	1.0.4	A2	Page 5 of 7





These will show up as single net nodes
Mounting hole sensors

HIGH END SYSTEMS INC.			
Title: DISPLAY VFD MODULE			
Function: POWER REGULATOR 123R104			
Drawing No. SCH-99030123	REV. 1.0.4	Size A2	6-25-2002_15:22 Page 6 of 7



HIGH END SYSTEMS INC.			
Title:		DISPLAY VFD MODULE	
Function:		LIGHT SENSOR 123R104	
Drawing No.	REV.	Size	6-25-2002_15.22
SCH-99030123	1.0.4	A2	Page 7 of 7

