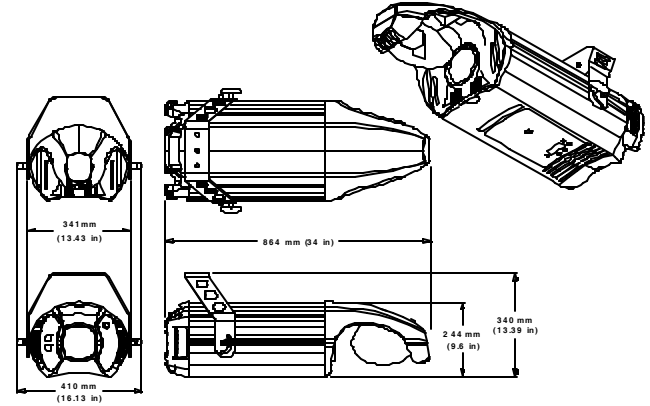


MECHANICAL SPECIFICATIONS

FIXTURE		BOXED FOR SHIPPING	
in:	9.6 x 16.1 x 34.0	in:	19 x 22 x 43
mm:	244 x 410 x 864	mm:	480 x 556 x 1087
Weight:	19 kg (42 lb)	Weight:	27 kg (59 lb)



Mounting Information

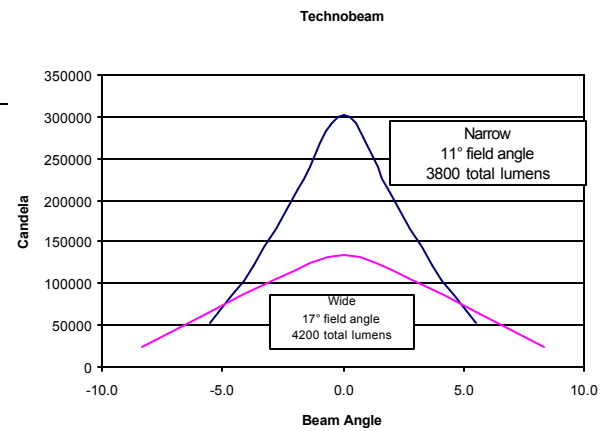
Technobeam may be mounted by attaching suitable clamps with locking washers through the holes on top of the yoke. Cheeseborough truss clamps and 1/2" nut/bolt sets may be purchased separately. Technobeam can also be stood on its end handles on a sturdy, stable surface.

Colors Available : Black, White

ELECTRICAL SPECIFICATIONS / LIGHT SOURCE

Lamp	MSD 250/2
Power Consumption	100V, 50HZ @ 3.95A 120V, 50HZ @ 3.13A 230V, 50HZ @ 1.6A 100V, 60HZ @ 3.75A 120V, 60HZ @ 3.13A 208V, 60HZ @ 1.8A
Rated Power	375W
Power Factor	120V, 60HZ: 0.96 230V, 50HZ: 0.90
Light Output	4000 ANSI lumens
Lamp Life	2000 hours
Color Temperature	6500K

Throw	Center Beam Candela	Beam Angle Degrees	Field Angle Degrees
	Center Beam	Beam Diameter	Field Diameter
5	12,000	0.6	1.0
10	3,000	1.2	1.9
15	1,333	1.8	2.9
20	750	2.4	3.9
25	480	3.1	4.8
30	333	3.7	5.8
35	245	4.3	6.7
40	188	4.9	7.7
45	148	5.5	8.7
50	120	6.1	9.6
55	99	6.7	10.6
60	83	7.3	11.6
65	71	8.0	12.5
70	61	8.6	13.5
75	53	9.2	14.4
80	47	9.8	15.4
85	42	10.4	16.4
90	37	11.0	17.3
95	33	11.6	18.3
100	30	12.2	19.3



For Metric figures, read "Center Beam" values as in lux, and the throw and diameters will be in meters.
For US figures, read "Center Beam" values as in footcandles, and the throw and diameters will be in feet.

$$\text{Illuminance} = \frac{\text{Candela}}{\text{Distance}^2}$$

OPERATION

Pan: 180° Tilt: 95°
Zoom: Yes (manual)
Field Angle: 8° - 12° (optional), 11° - 17°, or 32° (optional)

Control Options: DMX-512, On Board Programming/Playback, Time Code Sync, Internal Effects, Fixture Talkback
Address Method: LED Display, Fixture Talkback

Software Upgrades	Operating software may be downloaded from the High End Systems web site (www.highend.com), and uploaded using a High End Systems dongle.		
Compliances	Technobeam is CE, CETL, and ETL compliant.		
DMX Data Connectors	3-pin male and female XLR connectors		
Environmental Tolerances	Maximum ambient temperature: 50°C (122°F)	Maximum exterior surface temperature: 70°C (158°F)	
	Minimum distance to flammable objects: 1.0m (3.28 ft)	Minimum distance to lighted object: 1.0m (3.28 ft)	

PART NUMBERS

Fixtures
 29010003 - Technobeam Automated Luminaire, 115/230V, w/lamp
 29010004 - Technobeam Automated Luminaire w/ LAD, 115/230V, w/lamp
 29010005 - Technobeam Automated Luminaire w/Iris, 115/230V, w/lamp
 29010006 - Technobeam Automated Luminaire w/LAD & Iris, 115/230V, w/lamp
 29010003W - White Technobeam Automated Luminaire, 115/230V, w/lamp
 29010004W - White Technobeam Automated Luminaire w/ LAD, 115/230V, w/lamp
 29010005W - White Technobeam Automated Luminaire w/Iris, 115/230V, w/lamp
 29010006W - White Technobeam Automated Luminaire w/LAD & Iris, 115/230V, w/lamp

Accessories
 29060001 - Technobeam 8° to 12° Narrow Angle Lens Assembly
 29060003 - Technobeam 32° Wide Angle Lens Assembly

Lamps
 55030051 - Technobeam Replacement Lamp, Phillips MSD250-2

Flight Cases
 29070001 - Road Case, Technobeam, Single Fixture Truss Standard
 29070002 - Road Case, Technobeam, Dual Fixtures Truss Standard
 29070003 - Road Case, Technobeam, Single Fixture Pro
 29070004 - Road Case, Technobeam, Dual Fixtures Truss Pro

Controllers
 29020001 - Technobeam LCD Controller, 115/230V

DMX CHANNELS

Reduced Protocol

Channel	Function	Channel	Function
1	Pan Coarse	8	Effects Position
2	Tilt Coarse	9	Effects Rotate
3	Color Wheel Function	10	Focus
4	Color Wheel Position	11	Shutter
5	Litho Wheel Function	12	Dim
6	Litho Wheel Position	13	Motor Speed
7	Litho Rotation	14	Control

Full Protocol

Channel	Function	Channel	Function
1	Pan Coarse	10	Litho Rotation Low*
2	Pan Fine	11	Effects Wheel
3	Tilt Coarse	12	Effects Rotate
4	Tilt Fine	13	Focus
5	Color Wheel Function	14	Shutter
6	Color Wheel Position	15	Dim
7	Litho Wheel Function	16	Motor Speed
8	Litho Wheel Position	17	Macros/LAD
9	Litho Rotation High	18	Control

*Iris on Technobeam-i

DMX Channels: 14 Fixtures per Universe: 36
Internal Preset Scene Memory: 1 bank, 16 scenes

DMX Channels: 18 Fixtures per Universe: 28
Internal Preset Scene Memory: 1 bank, 16 scenes

COLOR WHEEL

Color Wheel 1:

Position	Description	Replaceable	Position	Description	Replaceable
1	Open	No	8	Dark Blue	Yes
2	Pink	Yes	9	Red	Yes
3	Aqua	Yes	10	Indigo	Yes
4	Dark Magenta	Yes	11	Orange	Yes
5	Green	Yes	12	Light Blue	Yes
6	Amber	Yes	13	CTO	Yes
7	Yellow	Yes			

Dichroic Glass Diameter: 1.125 in. ± 0.010 in (28.5 mm ± 0.25 mm)
Thickness: 0.069 in ± 0.010 in (1.8 mm ± 0.25 mm)

EFFECTS WHEEL

Effects Wheel 1: Rotating

Position	Description	Replaceable
1	Open	No
2	5-Facet Prism	Yes
3	Lenticular	Yes
4	Slow Glass	Yes
5	Frost	Yes

Effects Glass Diameter: 1.430 in ± 0.010 in (36 mm ± 0.25 mm) Image Area: 1.040 in ± 0.010 in (26 mm ± 0.25 mm)
Maximum Thickness: 0.175 in ± 0.010 in (4.4 mm ± 0.25 mm)

LITHO WHEEL

Litho Wheel 1: Rotating, Indexable

Position	Description	Replaceable
1	Open	No
2	3D Blocks	Yes
3	Round Triangle	Yes
4	Silcsquare	Yes
5	Lumoil	Yes
6	Rip Wheel	Yes
7	Technowedge	Yes
8	Gatlin Gun	Yes



Lithopatterns Diameter: 0.996 in ± 0.005 in (25 mm ± 0.13 mm) Thickness (rotating litho): 0.105 in ± 0.005 in (2.7 mm ± 0.13 mm)
Image Area: 0.860 in ± 0.005 in (22 mm ± 0.13 mm) Thickness (static litho): 0.069 in ± 0.010 in (1.8 mm ± 0.25 mm)