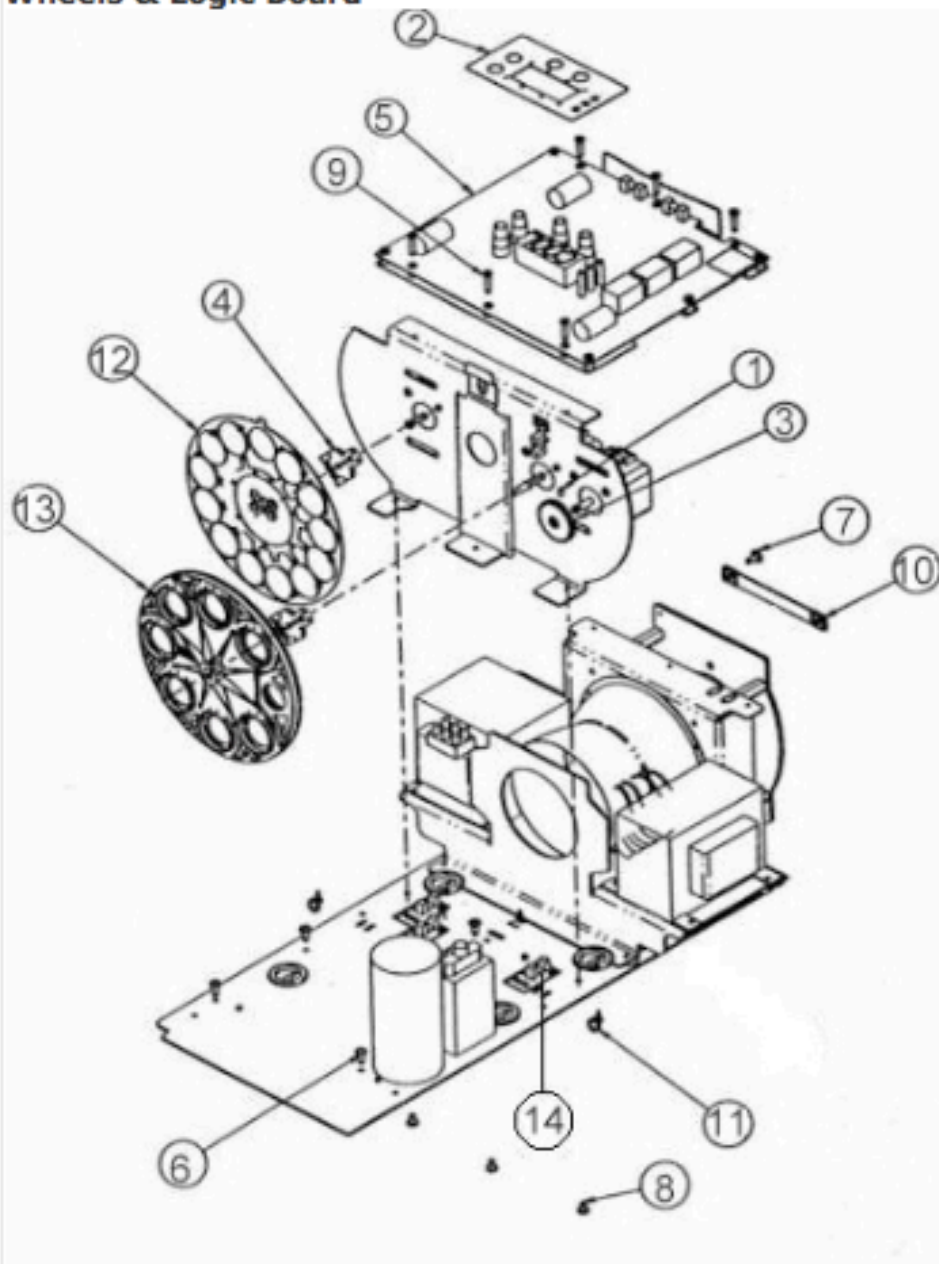


Technobeam®

Wheels & Logic Board



1.	90710011	Set Screw 6 - 32 x 1/4
2.	90410095	Cover, LED Button Support
3.	99430012	Gear, Litho Rotate Drive Small
4.	80430061	Motor Brake Assy.
5.	80010092	Logic Board Assy. Iris Version
6.	90709128	Screw, Phil Pan #8
7.	90709016	Screw, Phil Pan 6 - 19 x 3/8
8.	90709024	Screw, Phil Pan #8 x 1/4
9.	90709061	Screw, Phil Pan 6 - 32 x 1/2
10.	90701114	Safety Strap, Access Door
11.	90330007	Tie Wrap
12.	80190026	Color Wheel Assy.
13.	80200026	Litho Wheel With Lithos
14.	80040019T	Sensor

Additional Parts

99430006	Gear, Litho Large (attached to wheel)
80010065T	Logic Board, Non-Iris Version