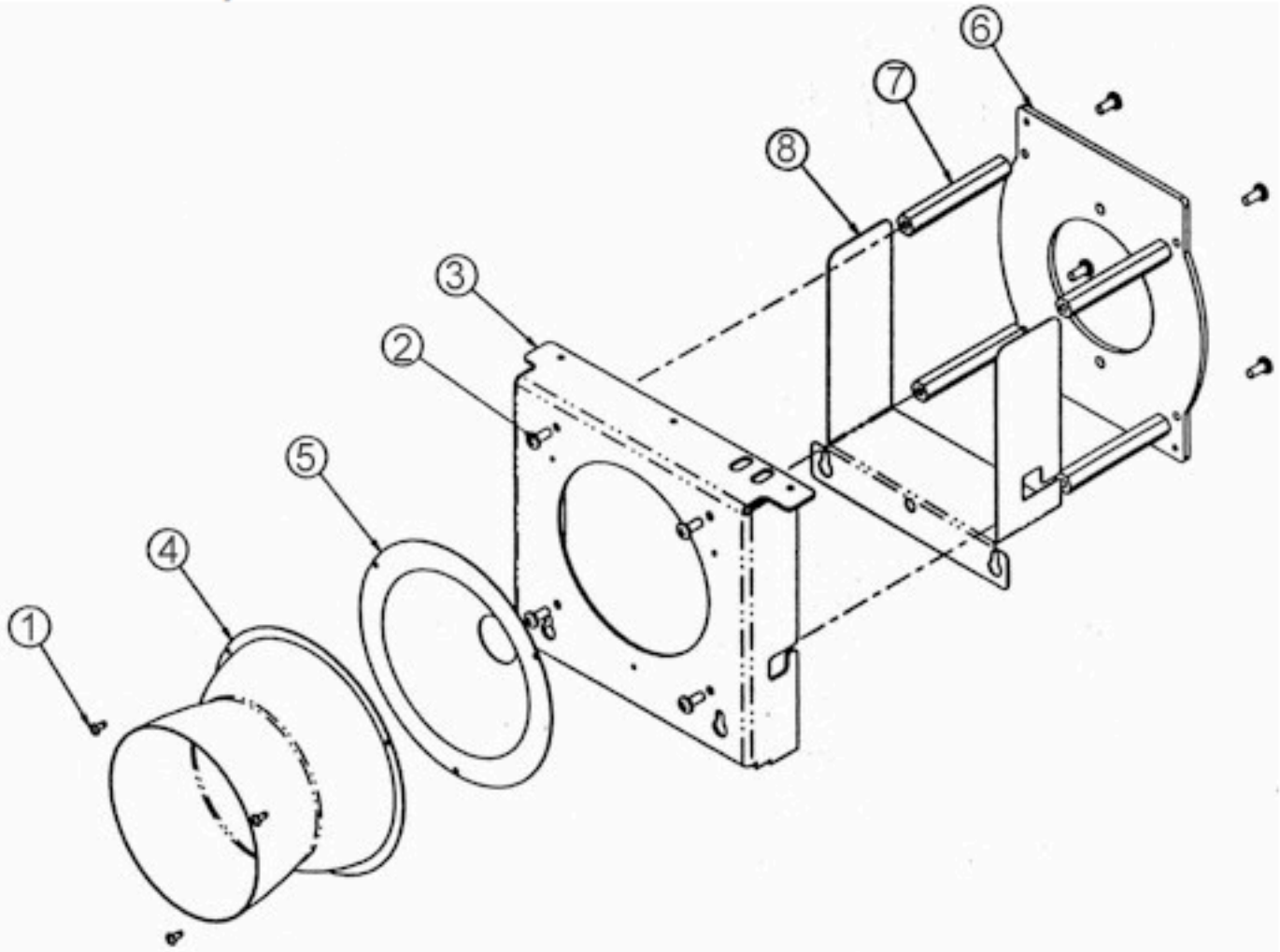


# Technobeam®

## Reflector Assy.



- |    |          |                               |
|----|----------|-------------------------------|
| 1. | 90709129 | Screw, Phil Pan #4 x 1/4      |
| 2. | 90709133 | Screw, Phil Pan 8 - 32 x 5/16 |
| 3. | 99260122 | Mount, Reflector              |
| 4. | 99130012 | Front Reflector               |
| 5. | 99130011 | Rear Reflector                |
| 6. | 99080059 | Mount, Lamp Assy.             |
| 7. | 90702093 | Standoff, Hex 8 - 32 x 2 5/8  |
| 8. | 85000126 | Shield, Light Block           |