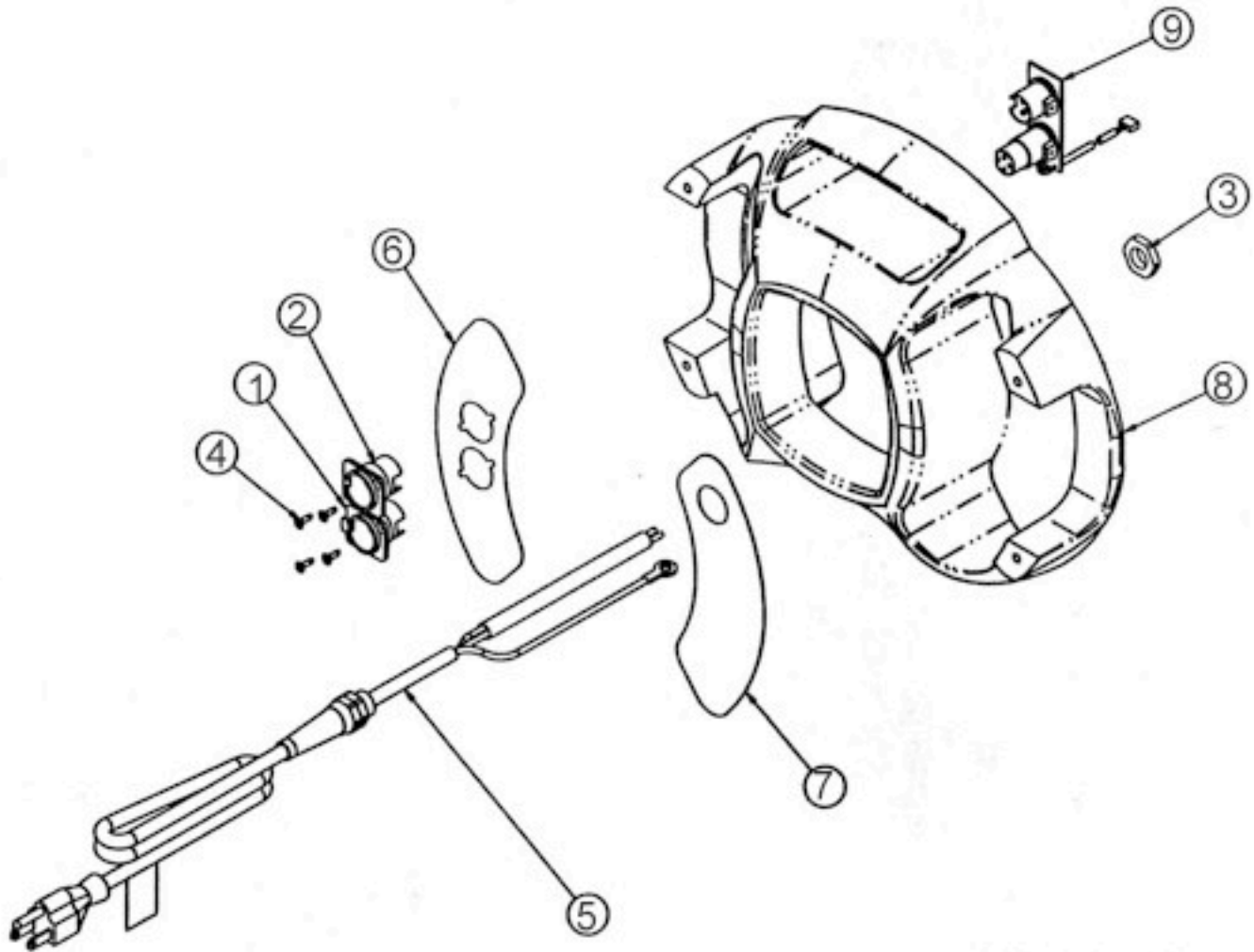


Technobeam®

Rear Bezel Assy.



- | | | |
|----|----------|---------------------------------|
| 1. | 90404001 | Housing, Female XLR |
| 2. | 90404002 | Housing, Male XLR |
| 3. | 90703050 | Nut, Strain Relief (power cord) |
| 4. | 90711007 | Screw, Phil Flat #4 x 3/8 |
| 5. | 80470158 | AC Line Cord Assy. |
| 6. | 99310265 | Label, Rear Bezel Left Side |
| 7. | 99310264 | Label, Rear Bezel Right Side |
| 8. | 99350027 | Rear Bezel |
| 9. | 80010081 | Board, XLR |