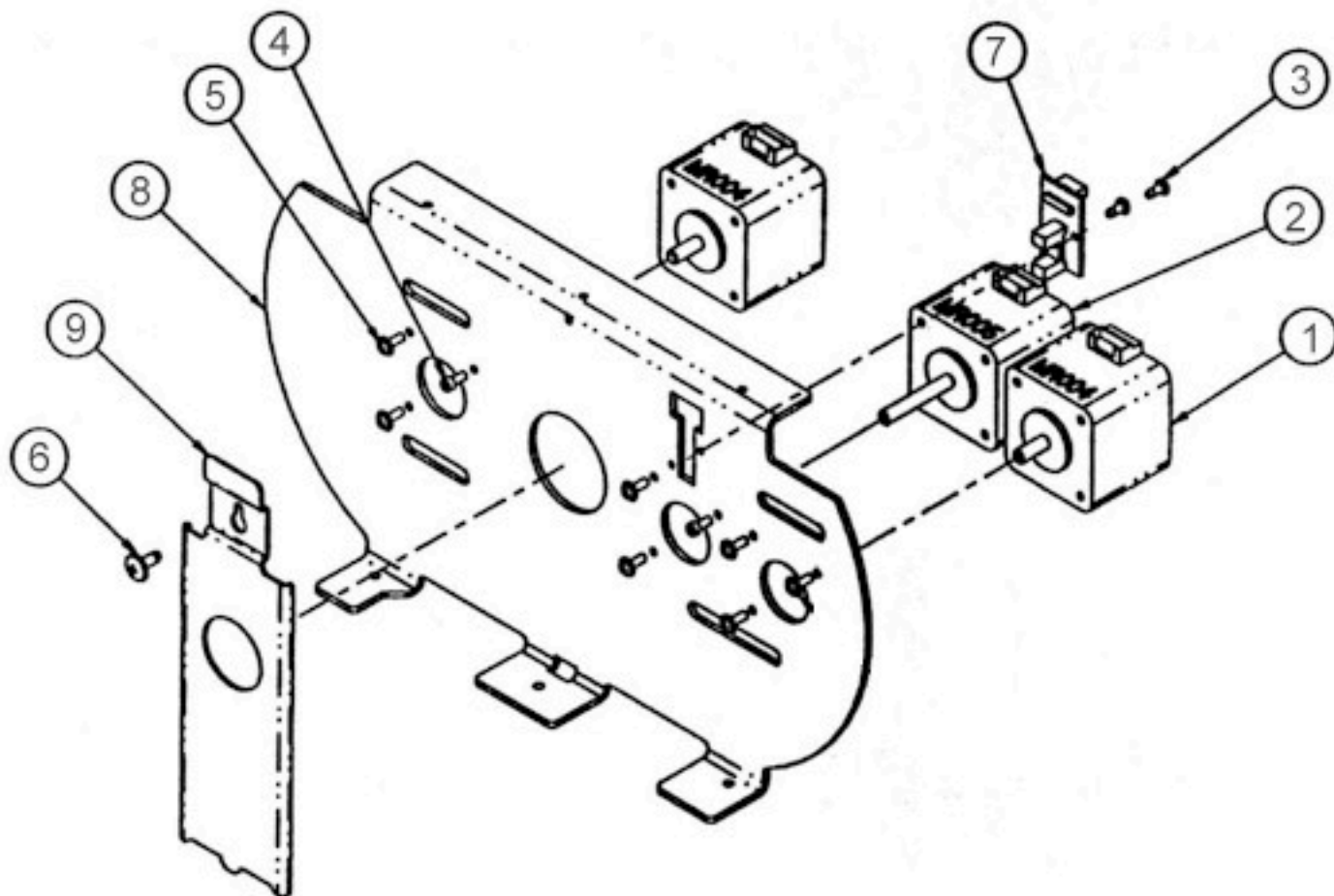


Technobeam®

Motor Mount Assy.



- | | | |
|----|-----------|-------------------------------------|
| 1. | 99270070 | Motor, 2V |
| 2. | 99270072 | Motor, 1V |
| 3. | 90709073 | Screw, Phil Pan #4 x 1/4 |
| 4. | 90707036 | Socket Cap, 4 - 40 x 1/4 |
| 5. | 90709118 | Screw, Phil Pan 4 - 40 x 5/16 |
| 6. | 90709016 | Screw, Phil Pan 6 - 19 x 3/8 |
| 7. | 80040019T | Sensor Assy. |
| 8. | 99260240 | Plate, Rear Motor Mount, Iris Style |
| 9. | 80580022 | Heat Filter Assy. |