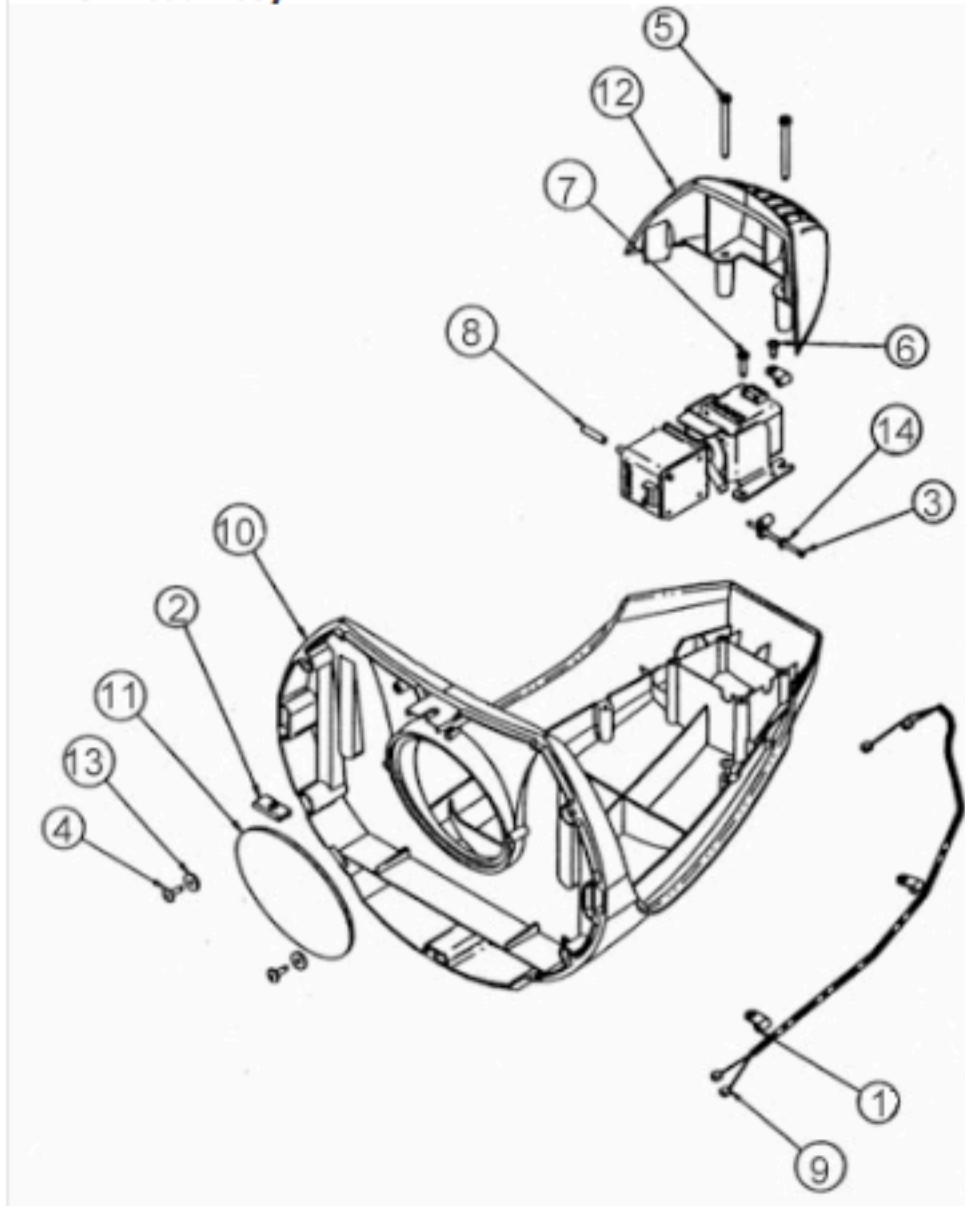


Technobeam®
Mirror Head Assy.



- | | | |
|-----|----------|------------------------------------|
| 1. | 90410023 | Cable Clamp, Nylon 3/16 |
| 2. | 90701099 | Receptacle, Clip-on Narrow Flange |
| 3. | 90707009 | Socket Cap, 4 - 40 x 2 |
| 4. | 90709110 | Screw, Phil Pan 6 - 19 x 1/2 |
| 5. | 90709111 | Screw, Phil Pan 8 - 16 x 1 7/8 |
| 6. | 90709043 | Screw, Phil Pan #8 x 3/8 |
| 7. | 90709112 | Screw, Phil Pan 8 - 16 x 5/8 |
| 8. | 90702036 | Standoff 4 - 40 x 3/4 |
| 9. | 90409045 | Wire Harness Mirror Head Extension |
| 10. | 80170019 | Mirror Head Plastic Shell |
| 11. | 80420014 | Window, A/R Glass |
| 12. | 80071458 | Bezel Cap With Light Block |
| 13. | 90706037 | Washer, Nylon |
| 14. | 90706032 | Washer, Flat #4 |