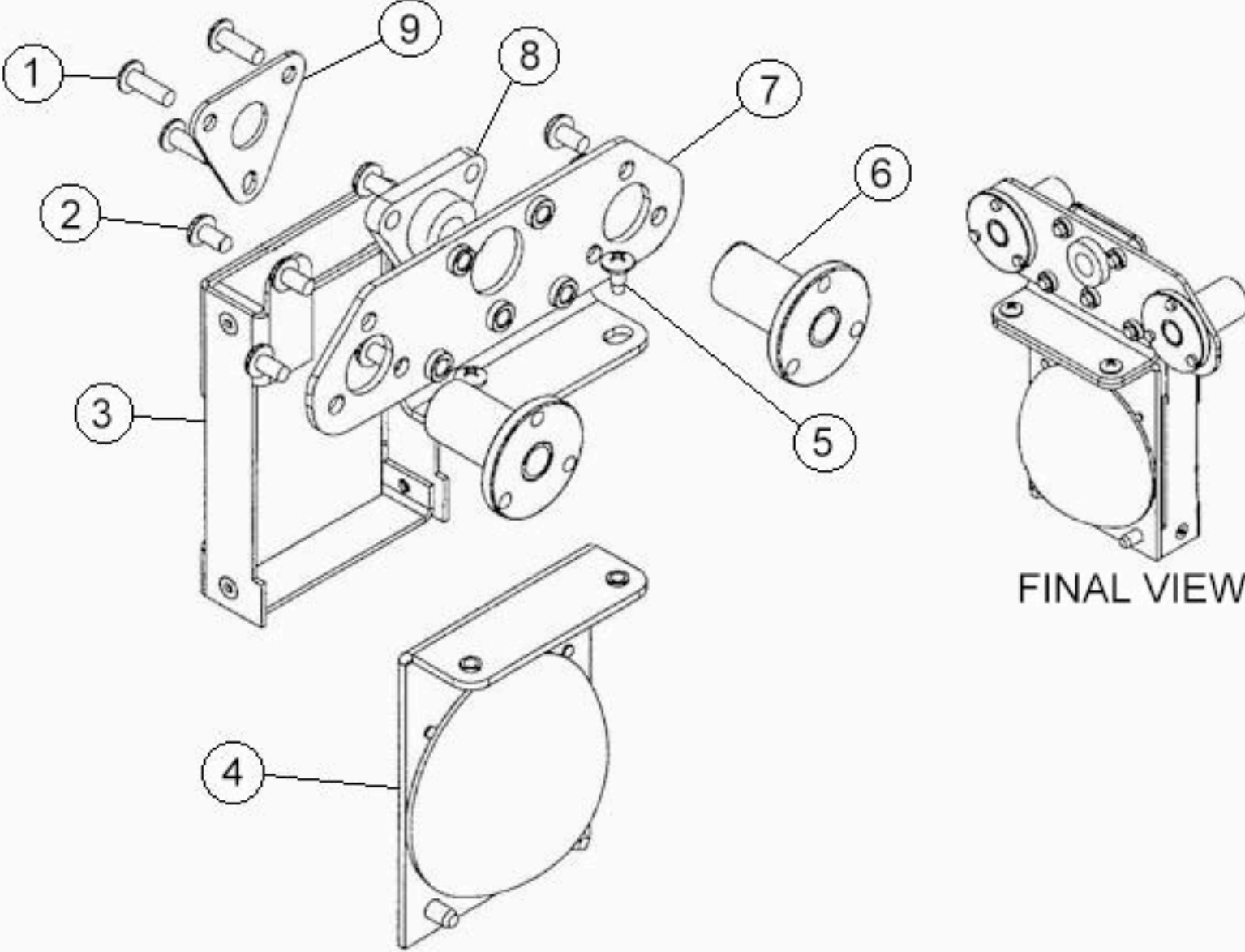


Studio Beam® Support



- 1. 90709090 Screw, Phil Pan 8 - 32 x 1/2
- 2. 90709136 Screw, Phil Pan 8 - 32 x 5/16 w/ Star Washer
- 3. 80580033 Heat Filter Assy.
- 4. 80160049 Lens, Zoom Assy.
- 5. 90711048 Screw, Phil Truss 6 - 32 x 5/16
- 6. 80570010 Bearing Assy. Linear Slide
- 7. 99260309 Bracket, Aspheric Lens Shaft Mount
- 8. 90703061 Nut, Lead Screw Nylon
- 9. 80071452 Plate, UV Block Nut