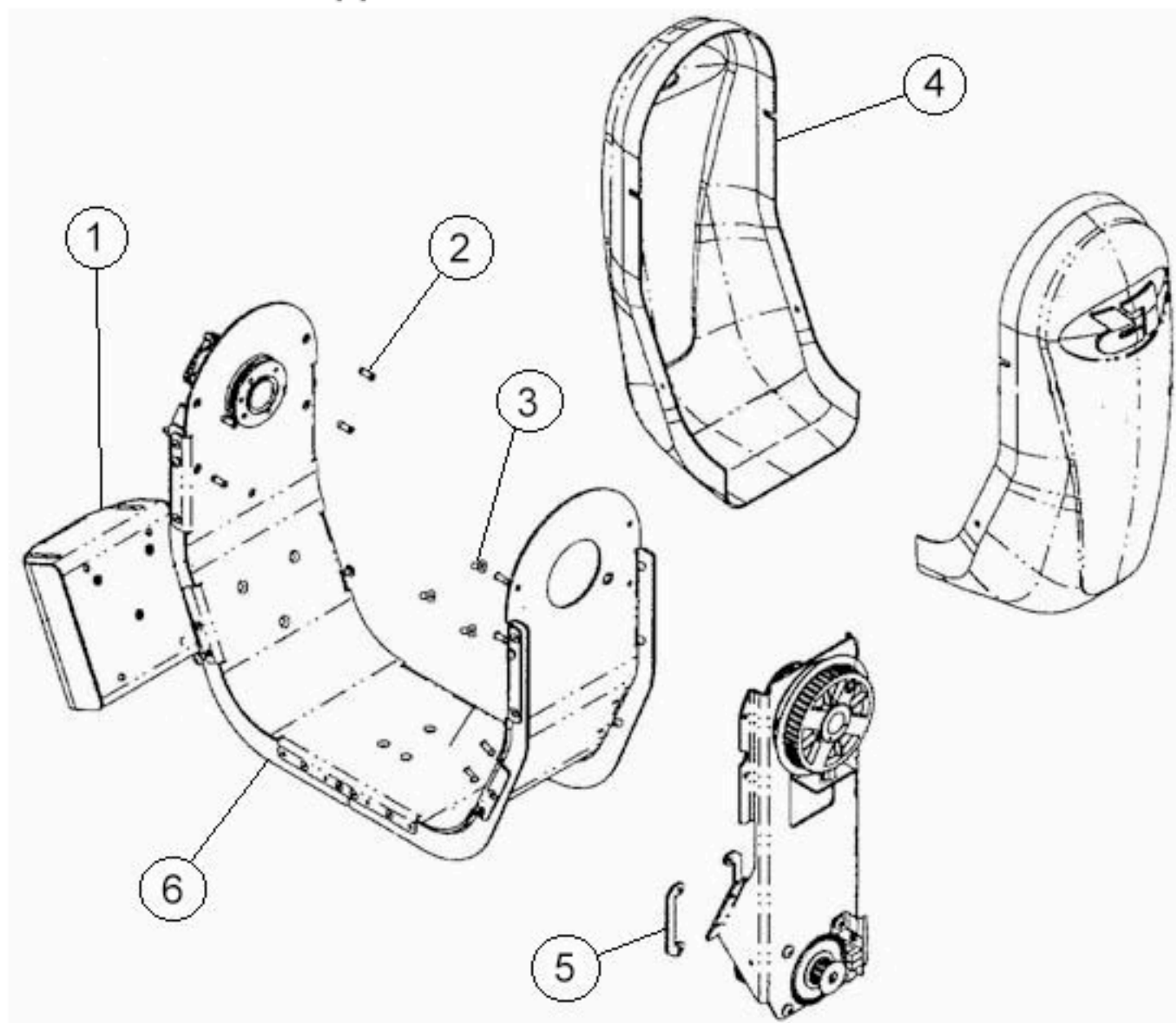


## Studio Beam® Support



- |    |          |                                    |
|----|----------|------------------------------------|
| 1. | 99260288 | Bracket, Ignitor Board Studio Beam |
| 2. | 90701161 | Rivet, 54 Countersunk Black        |
| 3. | 90709141 | Screw, Phil Flat 8 - 32 x 3/8      |
| 4. | 99240022 | Yoke Arm Cover                     |
| 5. | 99080117 | Plate, Nut Tilt Motor              |
| 6. | 80071499 | Yoke, Bracket Assy Coated          |

Not Pictured

90711048      Screw to Attach Yoke Cover to Yoke