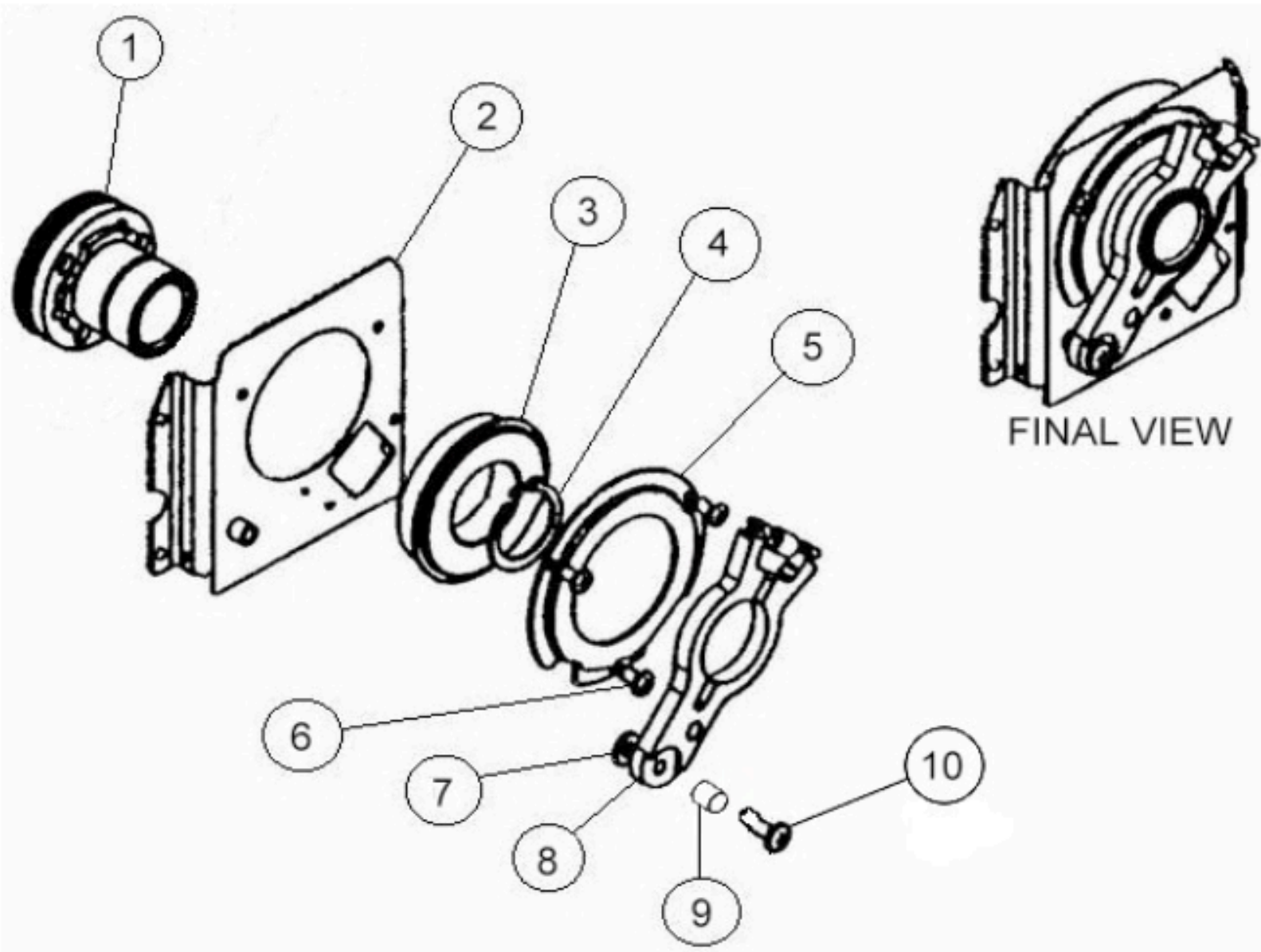


Studio Beam® Support



- 1. 99140014 Tube, Tilt Motor Brake Side
- 2. 99260184 Bracket, Tilt Bearing
- 3. 90719068 Bearing
- 4. 90701071 Retainer Ring, Zinc Yellow
- 5. 99260260 Cap, Bearing Support
- 6. 90709043 Screw, Phil Pan #8 x 3/8
- 7. 90706012 Washer, #10
- 8. 80140028 Damper, Shaft Tensioner
- 9. 90702135 Spacer .188"
- 10. 90708014 Screw, 8 - 32 Socket Shoulder