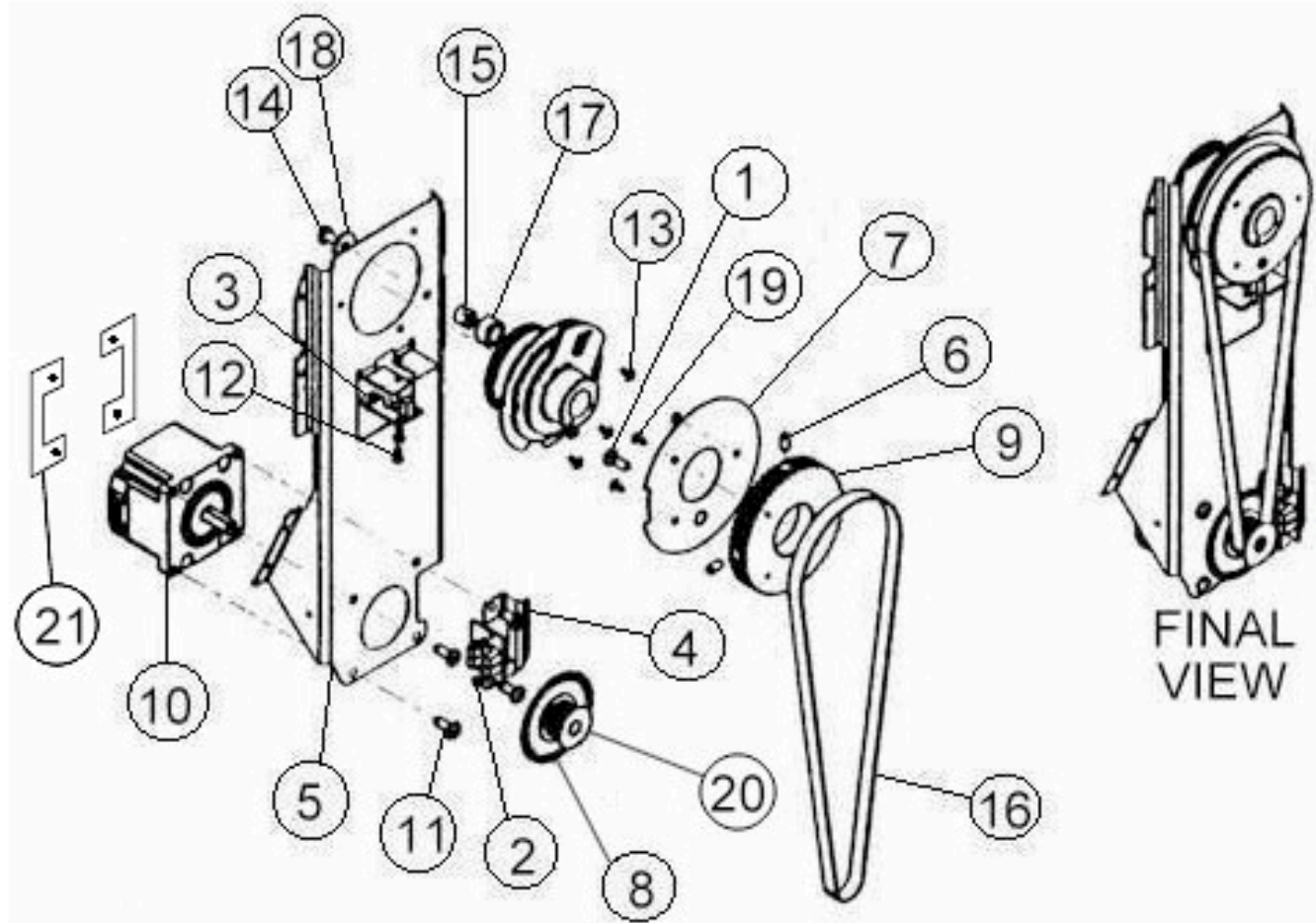


Studio Beam® Support



- | | | |
|-----|-----------|---|
| 1. | 90707033 | Screw, Socket Cap 10 - 32 x 1/2 |
| 2. | 80010085 | Board, Dual Sensor |
| 3. | 80040019T | Board, Sensor Assy. Technobeam |
| 4. | 99260225 | Bracket, Encoder Sensor |
| 5. | 99260185 | Bracket, Tilt Bearing Gear Side |
| 6. | 90701083 | Set Screw, Cup Point 10 - 32 x 3/8 |
| 7. | 99360016 | Flange, Pulley Pan / Tilt |
| 8. | 99180029 | Wheel, Optical Encoder |
| 9. | 99430044 | Gear, Pulley 48 Tooth with Hole |
| 10. | 99270028 | Motor Pan / Tilt |
| 11. | 90709172 | Screw, Phil Pan 8 - 32 x 7/8 with Star Washer |
| 12. | 90709129 | Screw, Phil Pan #4 x 1/4 |
| 13. | 90709142 | Screw, Phil Pan #8 x 3/8 with Star Washer |
| 14. | 90709148 | Screw, Phil Pan 10 - 32 x 3/8 |
| 15. | 90702120 | Standoff, 10 - 32 Slot |
| 16. | 99360014 | Belt, Tilt |
| 17. | 90717022 | Tubing, 3/8" Fuel Line |
| 18. | 90706056 | Washer #10 |
| 19. | 90711044 | Screw, Phil Flat 4 - 40 x 1/4 |
| 20. | 99430017 | Gear, Pinion Pan / Tilt |
| 21. | 99080117 | Plate, Nut Tilt Motor |