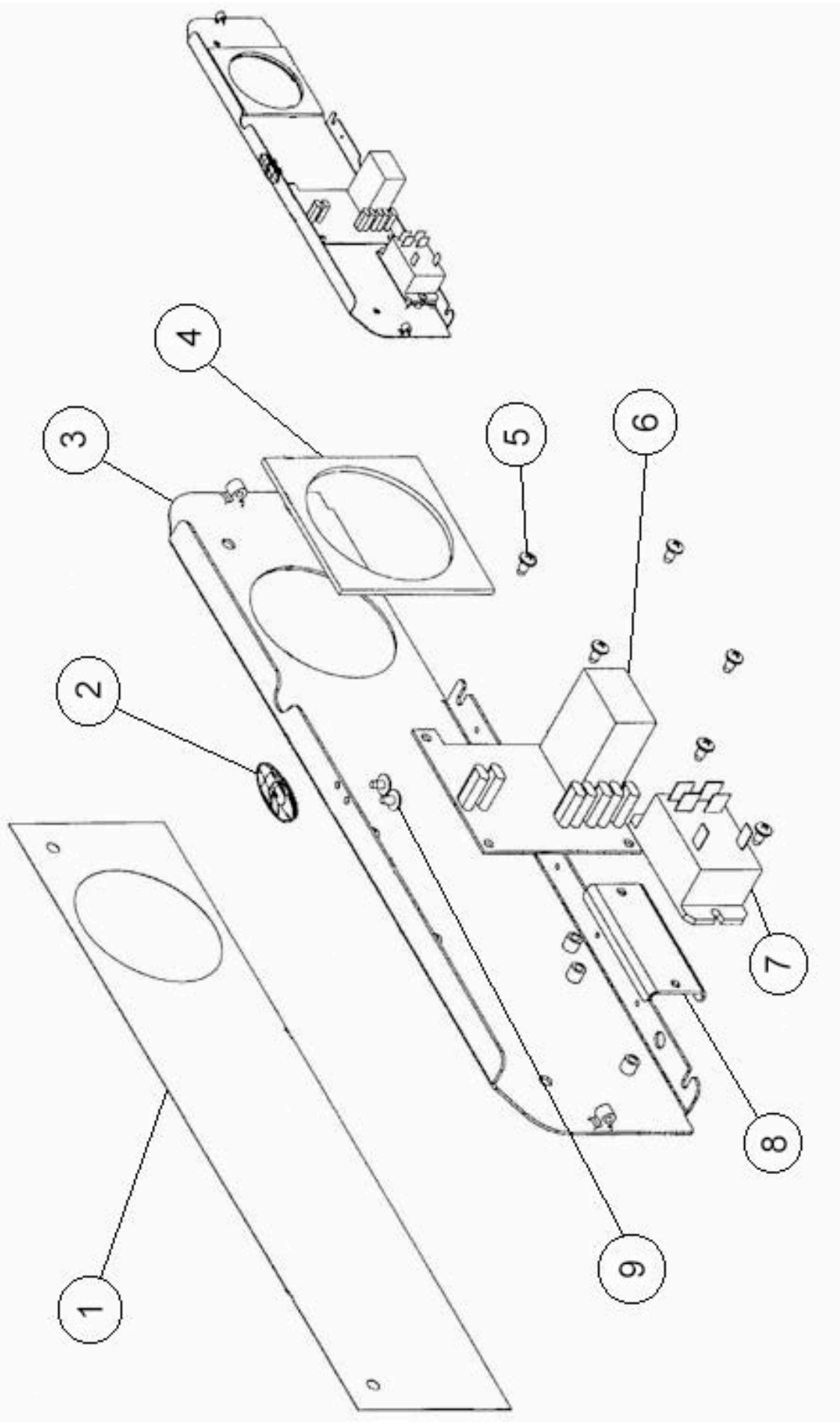


# Studio Beam® Support



- |    |          |                               |
|----|----------|-------------------------------|
| 1. | 99410077 | Label, Back Panel             |
| 2. | 90724008 | Button, LR                    |
| 3. | 99050038 | Panel, Rear                   |
| 4. | 90701200 | Gasket, Power Supply Fan      |
| 5. | 90709065 | Screw, Phil Pan 8 - 32 x 5/16 |
| 6. | 80010126 | Board, Line Filter            |
| 7. | 90603011 | Relay, 30A DPST 24V           |
| 8. | 99260322 | Bracket, Relay                |
| 9. | 90709123 | Screw, Phil Pan 6 - 19 x 1/4  |