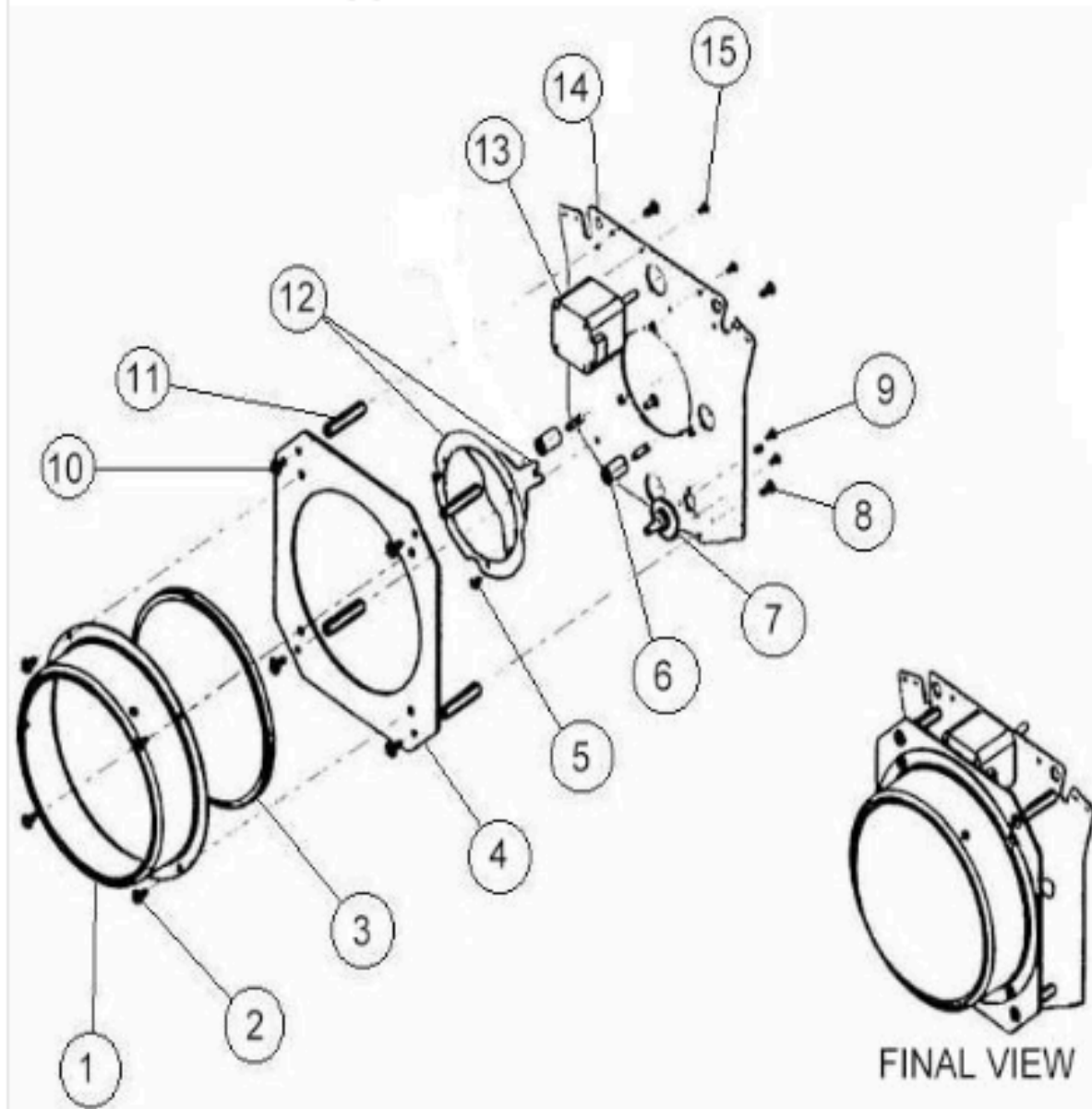


Studio Beam® Support



- | | | |
|-----|----------|--|
| 1. | 80071415 | Ring, Lens |
| 2. | 90709136 | Screw, Phil Pan 8 - 32 x 5/16 with Star Washer |
| 3. | 99090043 | Lens, Pebble Convex |
| 4. | 80071445 | Plate, Lens PC |
| 5. | 90711037 | Screw, Phil Flat 6 - 32 x 1/4 |
| 6. | 90717012 | Tubing, Silicone 3/16 ID |
| 7. | 99400042 | Hub, Shaft Frost Flag |
| 8. | 90709141 | Screw, Phil Flat 8 - 32 x 3/8 |
| 9. | 90701136 | Rivet, Countersunk |
| 10. | 90709136 | Screw, Phil Pan 8 - 32 x 5/16 with Star Washer |
| 11. | 90702147 | Standoff, Hex 8 - 32 x 1.5 |
| 12. | 80160046 | Diffusion Lens Assy. |
| 13. | 99270032 | Motor, 01 |
| 14. | 80071422 | Plate, Front |
| 15. | 90711044 | Screw, Phil Flat 4 - 40 x 1/4 |

Not Pictured

90701188	Rubber Lens Retainer "Bumper"
----------	-------------------------------

90711037	Screw for Lens "Bumper"
----------	-------------------------