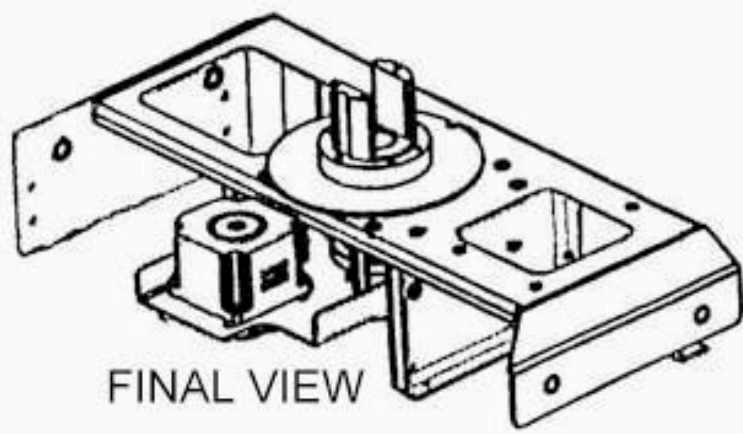
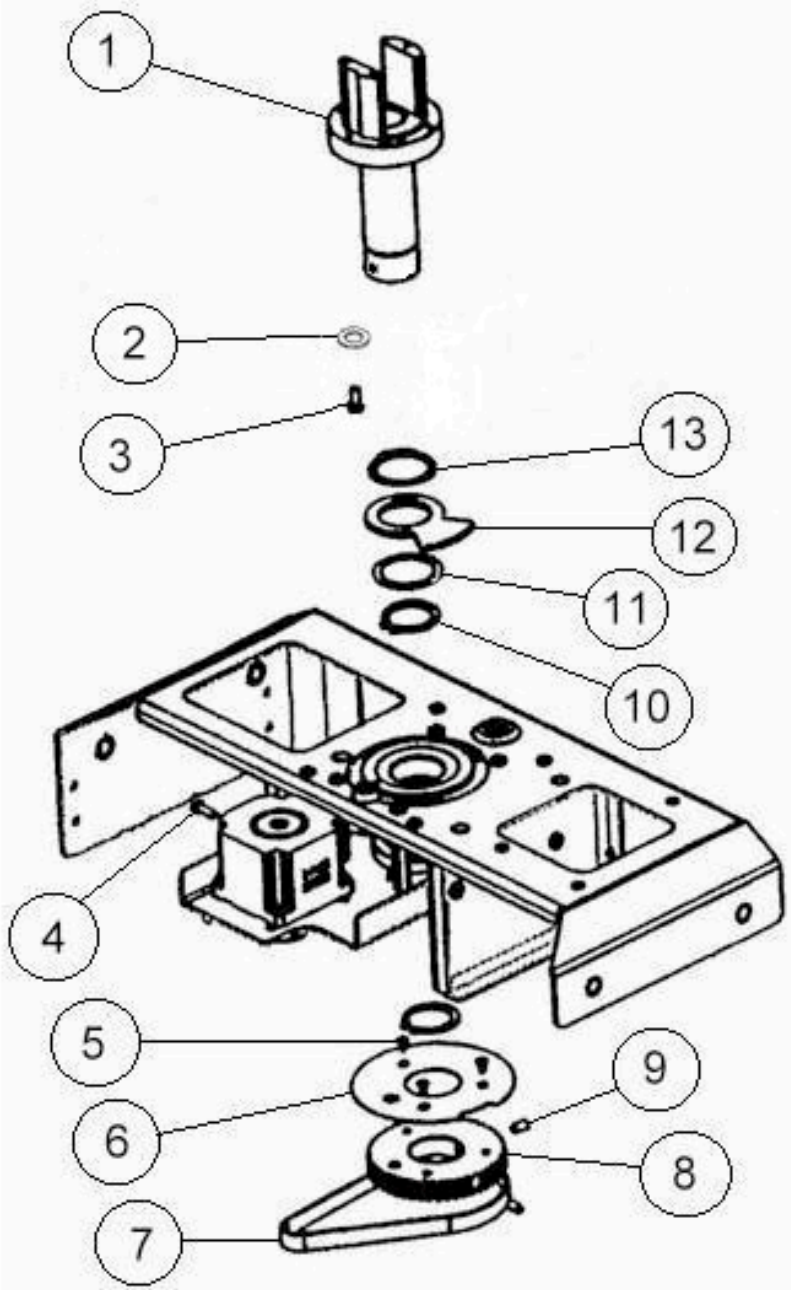


Studio Beam® Support



- | | | |
|-----|----------|------------------------------------|
| 1. | 99140013 | Tube, Pan Studio Beam |
| 2. | 90706056 | Washer, #10 |
| 3. | 90707033 | Screw, Socket Cap 10 - 32 x 1/2 |
| 4. | 90704023 | Bolt, Hex 8 - 32 x 5/8 |
| 5. | 90711044 | Screw, Phil Flat 4 - 40 x 1/4 |
| 6. | 99360016 | Flange, Pulley Pan / Tilt |
| 7. | 99360006 | Belt, Pan |
| 8. | 99430044 | Gear, Pulley 48 Tooth With Hole |
| 9. | 90701083 | Set Screw, 10 - 32 x 3/8 Cup Point |
| 10. | 90701071 | Retainer Ring, Zinc Yellow |
| 11. | 90706058 | Washer, Spring Stainless |
| 12. | 99260193 | Pan Stop |
| 13. | 90706090 | Washer, Nylon |