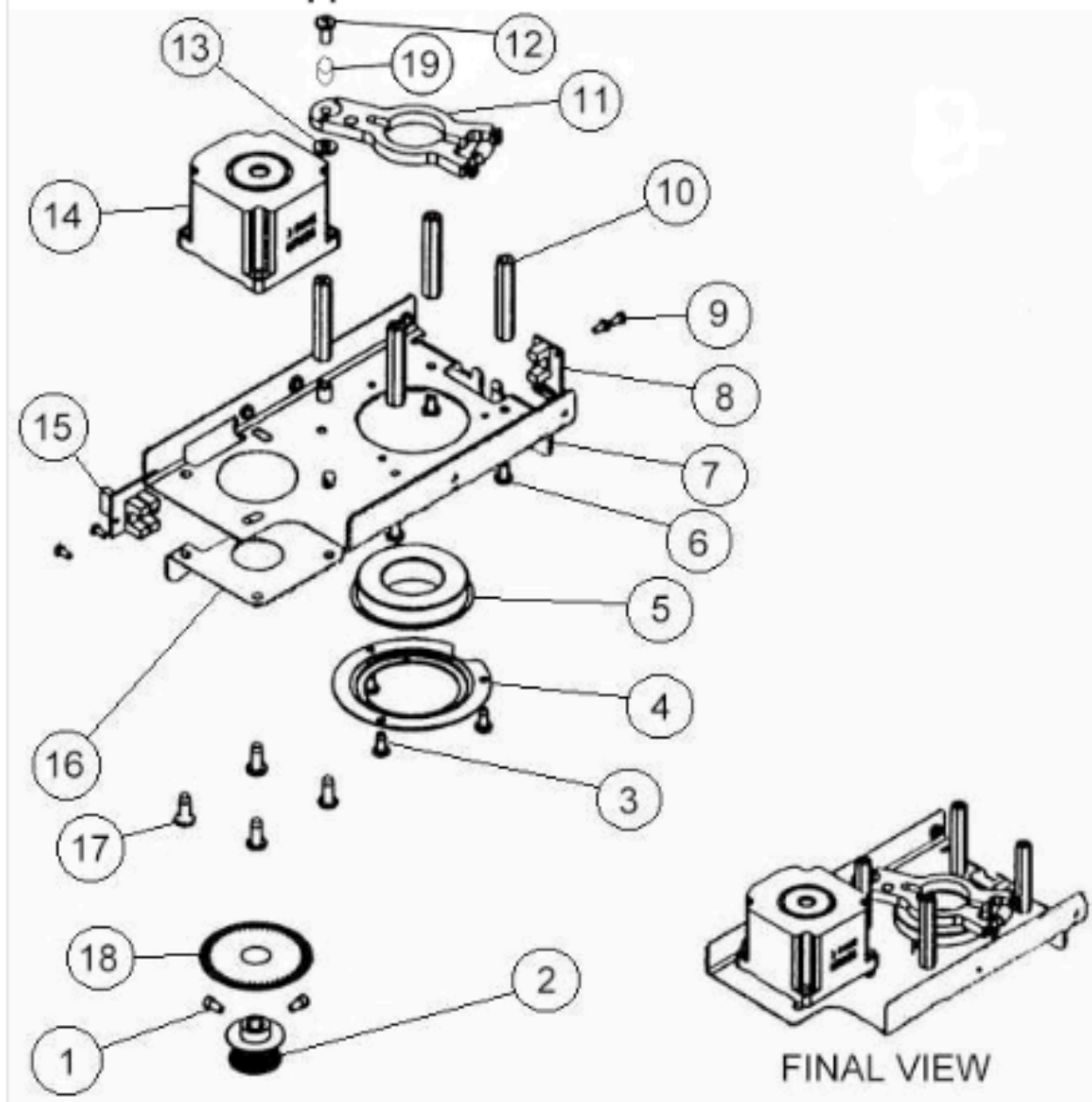


Studio Beam® Support



1. 90707091 Set Screw, Hex 8 - 32 x 1/4
2. 99430017 Gear, Pinion Pan / Tilt
3. 90709142 Screw, Phil Pan #8 x 3/8 with Star Washer
4. 99260260 Cap, Bearing Support
5. 90719007 Bearing
6. 90709136 Screw, Phil Pan 8 - 32 x 5/16 with Star Washer
7. 99260284 Plate, Lower Bearing Holder
8. 80040019T board, Sensor Pan / Tilt
9. 90709129 Screw, Phil Pan #4 x 1/4
10. 90702132 Standoff, Pan Bearing Support
11. 80140028 Damper, Shaft Tensioner
12. 90709020 Screw, Phil Pan 10 - 32 x 3/8
13. 90706012 Washer, Flat #10
14. 99270028 Motor, Pan / Tilt
15. 80010085 Board, Dual Sensor (Encoders)
16. 99080114 Plate, Encoder
17. 90709062 Screw, Phil Pan #10 x 1/2
18. 99180029 Wheel, Optical Encoder
19. 90702135 Spacer .188"