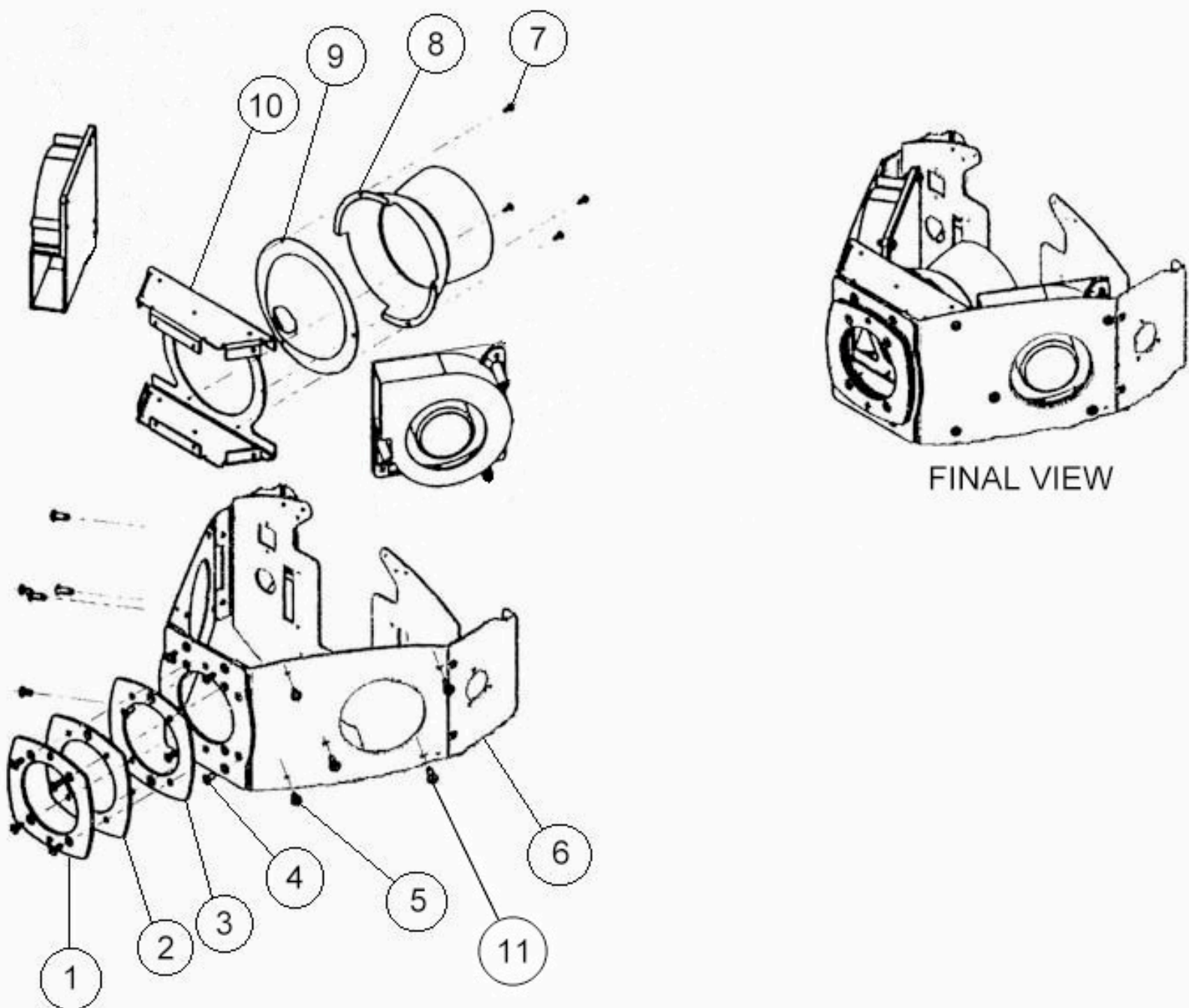


# Studio Beam® Support



FINAL VIEW

- |     |          |                                     |
|-----|----------|-------------------------------------|
| 1.  | 90702152 | Shim, Outer Lamp Adjust             |
| 2.  | 90702155 | Shim, Mid Lamp Adjust               |
| 3.  | 90702151 | Shim, Base Lamp Adjust              |
| 4.  | 90709141 | Screw, Phil Flat 8 - 32 x 3/8       |
| 5.  | 90709128 | Screw, Phil Pan #8 x 32             |
| 6.  | 80071429 | Chassis, Rear Assy. Coated          |
| 7.  | 90709113 | Screw, Phil Low Truss 4 - 20 x 5/16 |
| 8.  | 99130018 | Reflector, Front Studio Beam        |
| 9.  | 99130017 | Reflector, Rear Studio Beam         |
| 10. | 80071423 | Mount, Reflector Coated             |
| 11. | 90709093 | Screw, Phil Pan #10 x 3/8           |