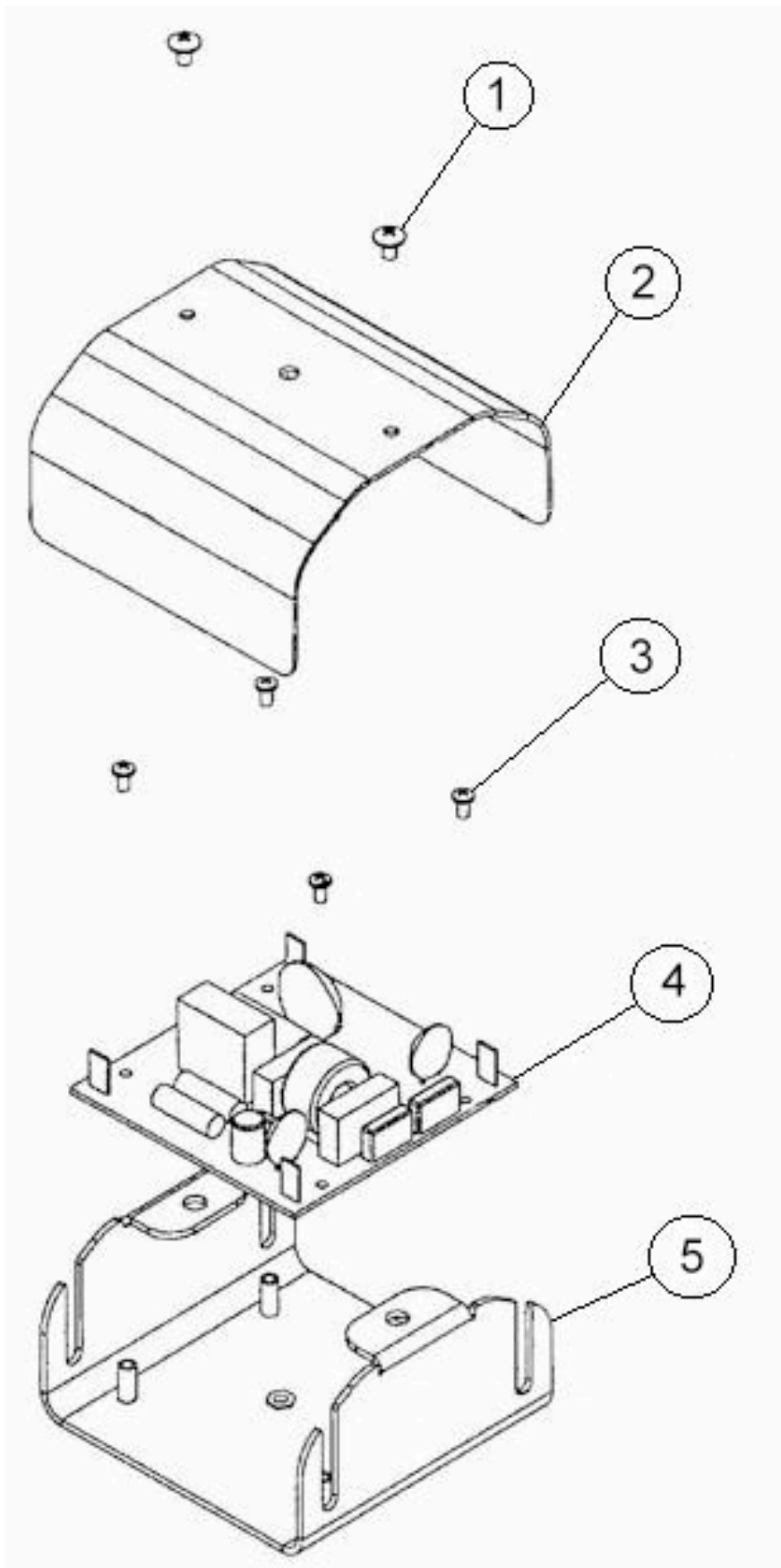


Studio Beam® Support



- | | | |
|----|----------|------------------------------------------------|
| 1. | 90709136 | Screw, Phil Pan 8 - 32 x 5/16 with Star Washer |
| 2. | 99080090 | Cover, Ignitor Bracket |
| 3. | 90711048 | Screw, Phil Truss 6 - 32 x 5/16 |
| 4. | 80060006 | Board, Ignitor Studio Beam |
| 5. | 99260288 | Bracket, Ignitor Board Studio Beam |