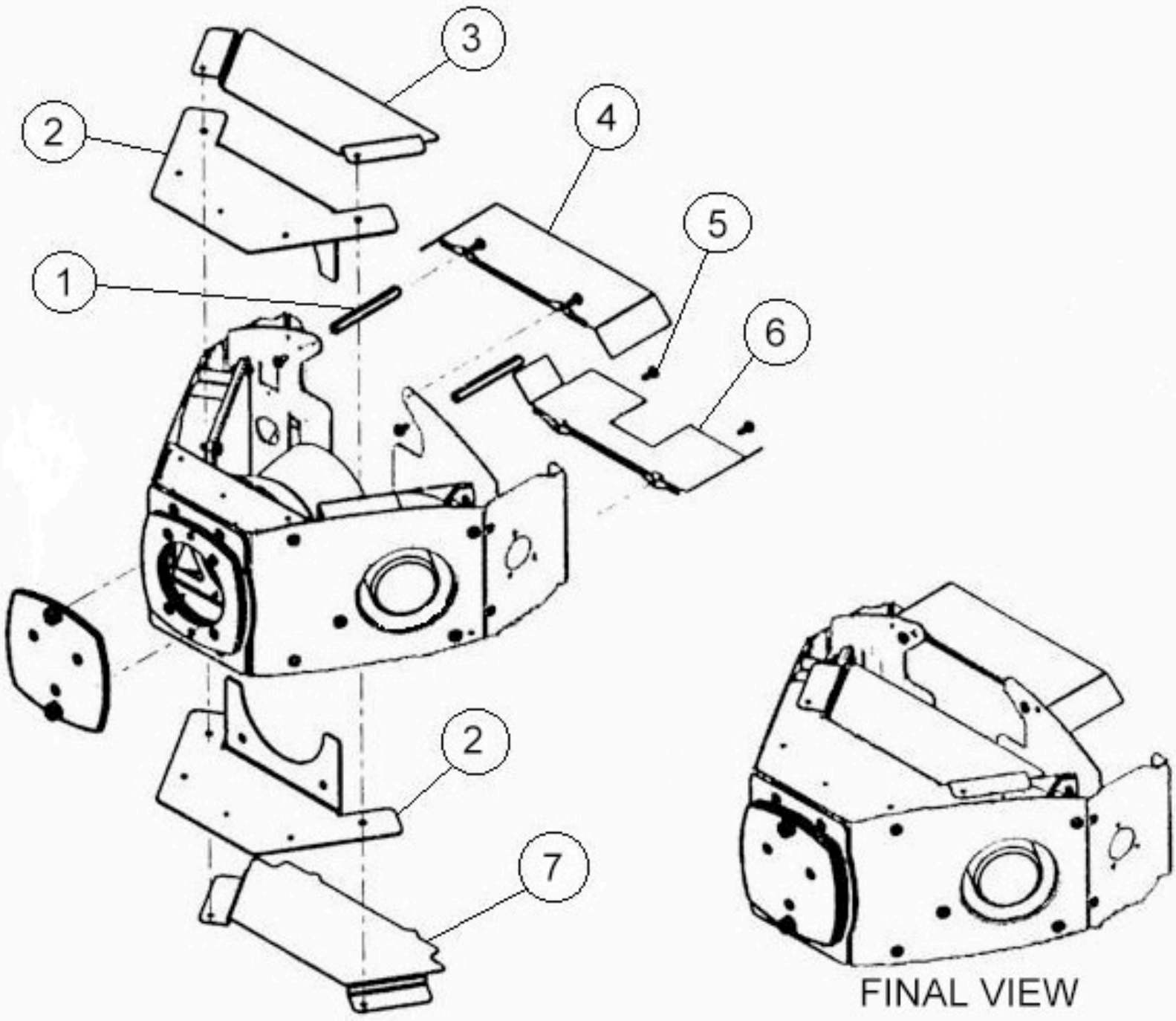


Studio Beam® Support



- | | | |
|----|----------|--------------------------------|
| 1. | 90702159 | Standoff, Hex 8 - 32 x 2.692 |
| 2. | 80071418 | Baffle, Air Coated Studio Beam |
| 3. | 80071440 | Baffle, Lamp Reflector |
| 4. | 80071437 | Light Block (solid) |
| 5. | 90709036 | Screw, Phil Truss #8 x 3/8 |
| 6. | 80071436 | Light Block (zoom side) |
| 7. | 80071444 | Light Block, UV Bottom |