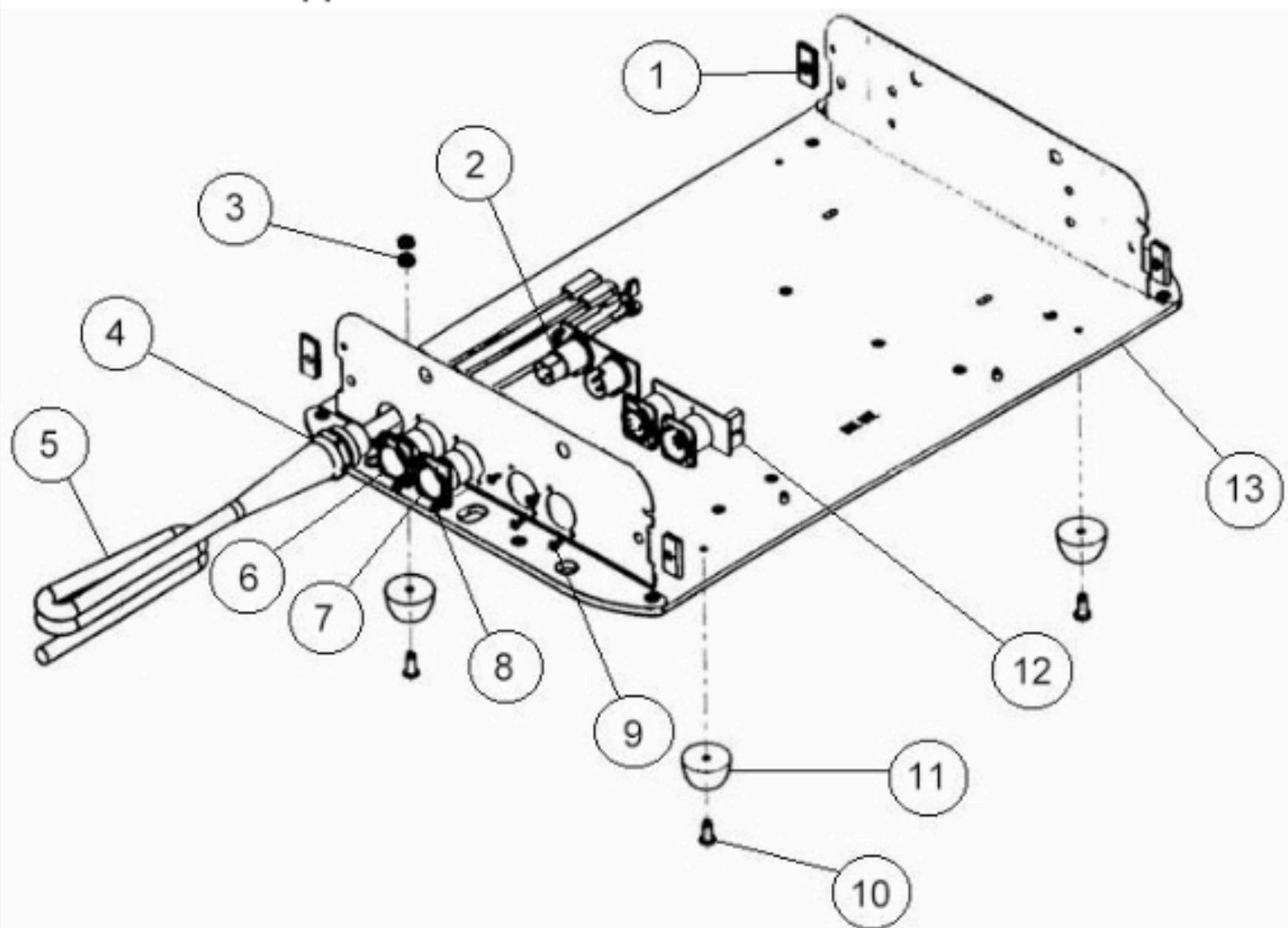


Studio Beam® Support



- | | | |
|-----|----------|-------------------------------------------------|
| 1. | 90701099 | Receptacle, Clip-on, Narrow Flange |
| 2. | 80010101 | Board, XLR Connector Assy, 3-Pin |
| 3. | 90703023 | Nut, Keps 8 - 32 |
| 4. | 90414008 | Strain Relief (for Power Cord) |
| 5. | 80470204 | Cord, Power, with Strain Relief |
| 6. | 90404001 | Connector, XLR Housing, Female |
| 7. | 90404002 | Connector, XLR Housing, Male |
| 8. | 90711010 | Screw, Phil Flat #4 x 1/4 |
| 9. | 90709143 | Screw, Phil Pan M3 x 6mm |
| 10. | 90709181 | Screw, Phil Pan 10 - 32 x 5/16 with Star Washer |
| 11. | 90410089 | Foot, Rubber |
| 12. | 80010102 | Board, XLR Assy, 5-Pin |
| 13. | 80071435 | Baseplate / Sidepanel Assy, Coated |